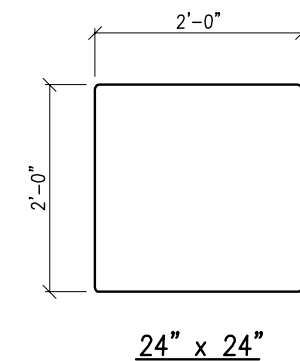
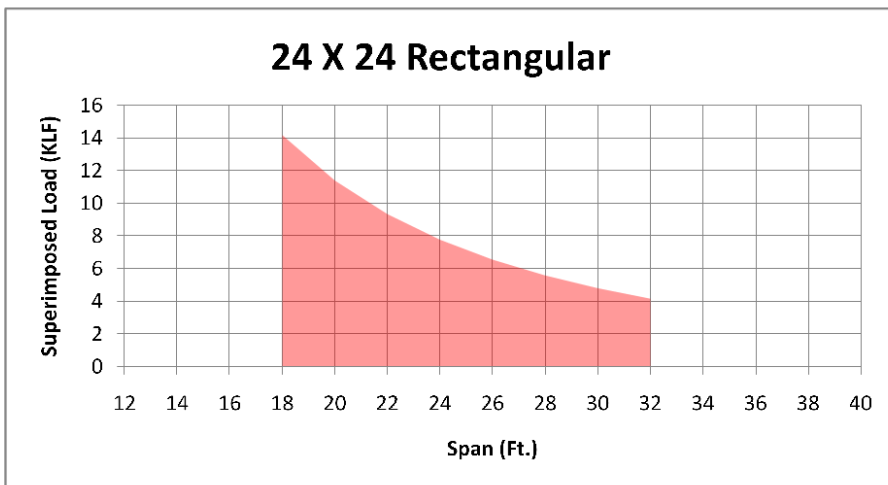
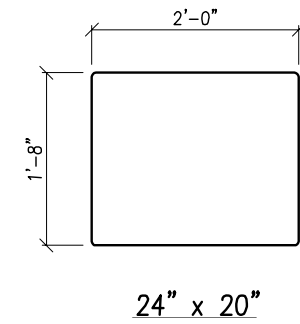
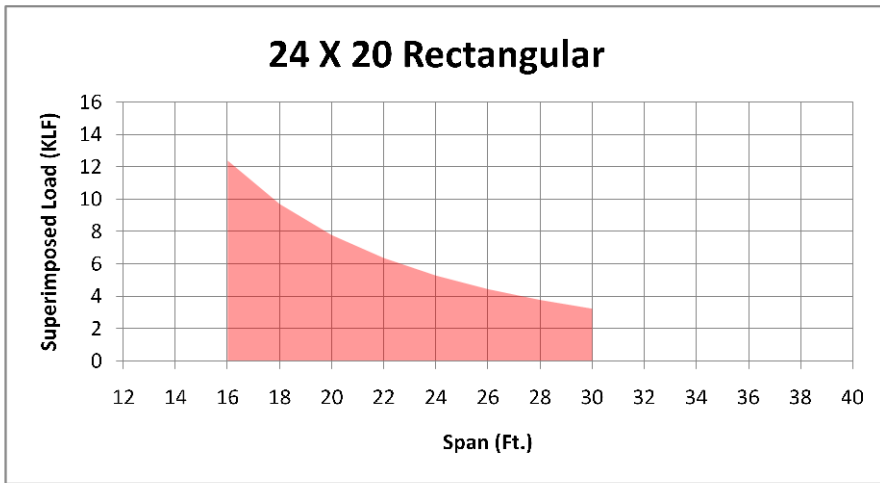
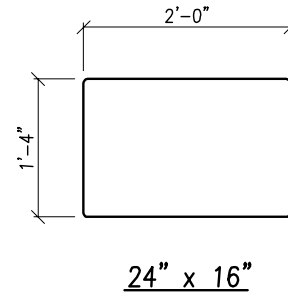
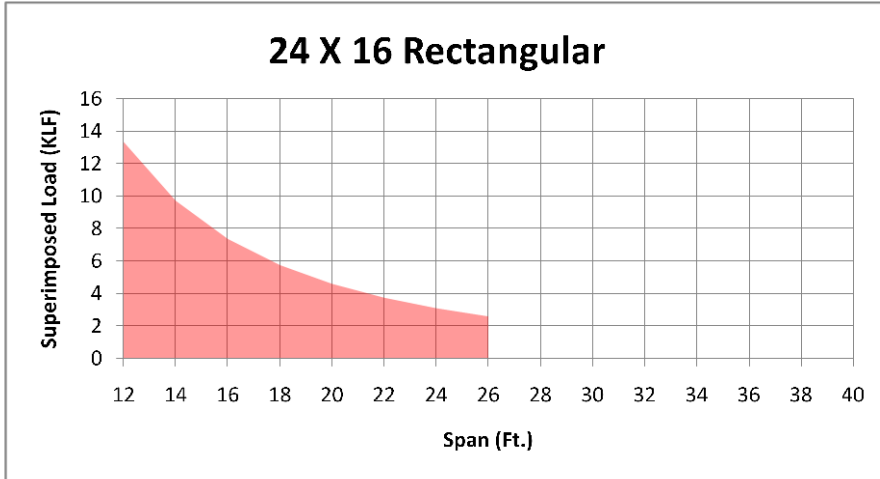


RECTANGULAR BEAMS



Load Tables are presented as guidelines only. Design requirements must be reviewed by the engineer of record for each specific project.
Spancrete | P.O. Box 828 | Waukesha, WI 53187 | 414-290-9000 | www.spancrete.com