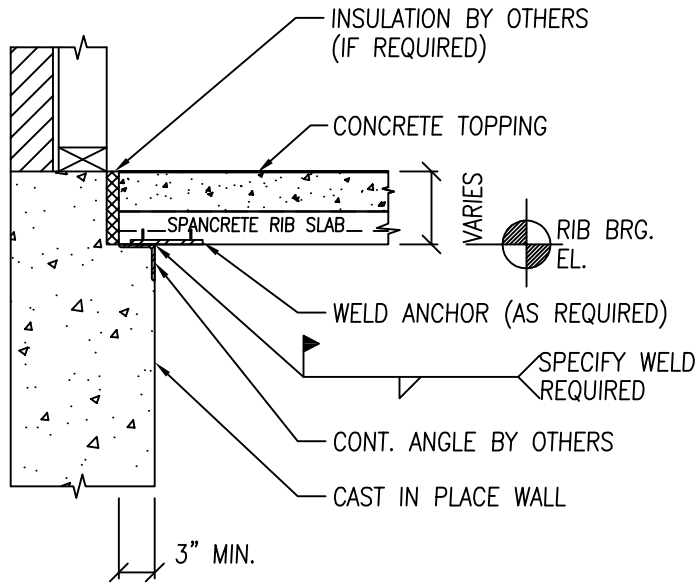


SPANCRETE®



**RIB SLAB ON
C.I.P. DETAILS**



RIB SLAB BEARING
ON EXTERIOR C.I.P. WALL

SPANCRETE[®]

DESIGN & ENGINEERING OFFICES

WAUKESHA, WI: 414-290-9000
VALDERS, WI: 920-775-4121

SALES OFFICES

WAUKESHA, WI
(414) 290-9000

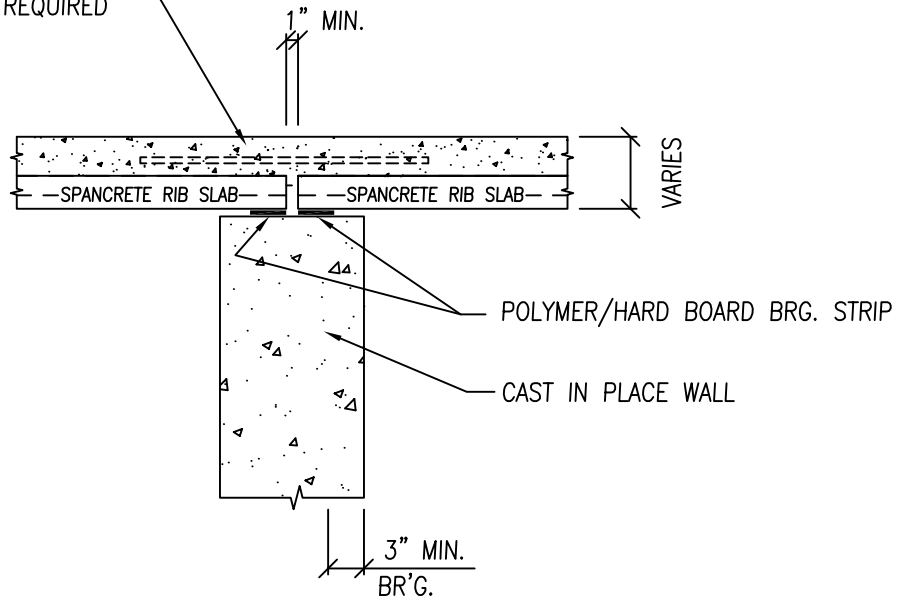
GREEN BAY, WI
(920) 494-0274

NAPERVILLE, IL
(847) 879-2100

DETAIL NUMBER

RS2.1

BAR OR PRESTRESS
STRAND GROUTED INTO
KEYWAY (IF REQUIRED
BY DESIGN)



RIB SLAB BEARING
ON INTERIOR C.I.P. WALL

SPANCRETE®

DESIGN & ENGINEERING OFFICES

WAUKESHA, WI: 414-290-9000
VALDERS, WI: 920-775-4121

SALES OFFICES

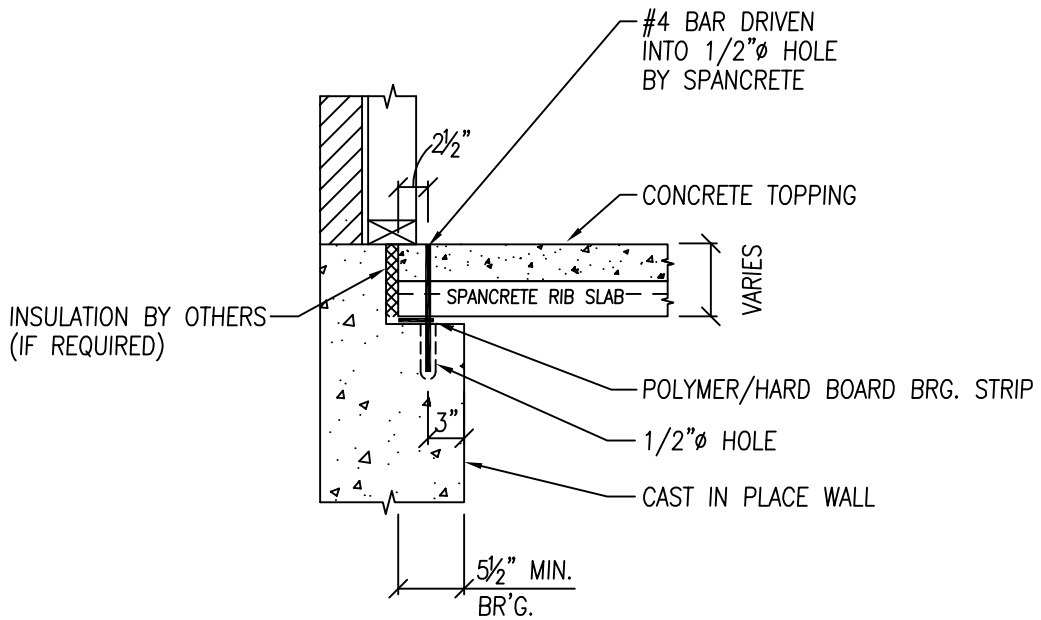
WAUKESHA, WI
(414) 290-9000

GREEN BAY, WI
(920) 494-0274

NAPERVILLE, IL
(847) 879-2100

DETAIL NUMBER

RS2.2



RIB SLAB BEARING
ON EXTERIOR C.I.P. WALL

SPANCRETE®

DESIGN & ENGINEERING OFFICES

WAUKESHA, WI: 414-290-9000
VALDERS, WI: 920-775-4121

SALES OFFICES

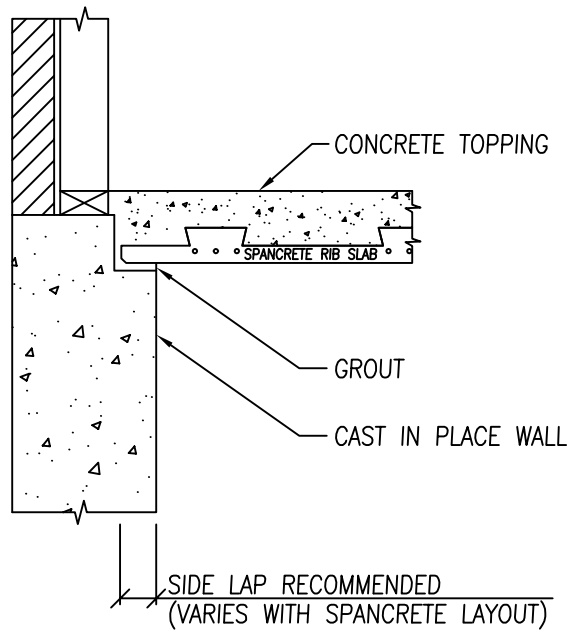
WAUKESHA, WI
(414) 290-9000

GREEN BAY, WI
(920) 494-0274

NAPERVILLE, IL
(847) 879-2100

DETAIL NUMBER

RS2.3



RIB SLAB
AT EXTERIOR C.I.P. WALL
 NON-BEARING

SPANCRETE®

DESIGN & ENGINEERING OFFICES

WAUKESHA, WI: 414-290-9000
 VALDERS, WI: 920-775-4121

SALES OFFICES

WAUKESHA, WI
 (414) 290-9000

GREEN BAY, WI
 (920) 494-0274

NAPERVILLE, IL
 (847) 879-2100

DETAIL NUMBER

RS2.4