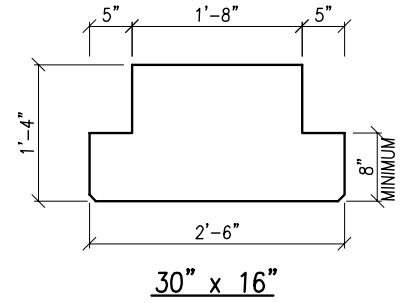
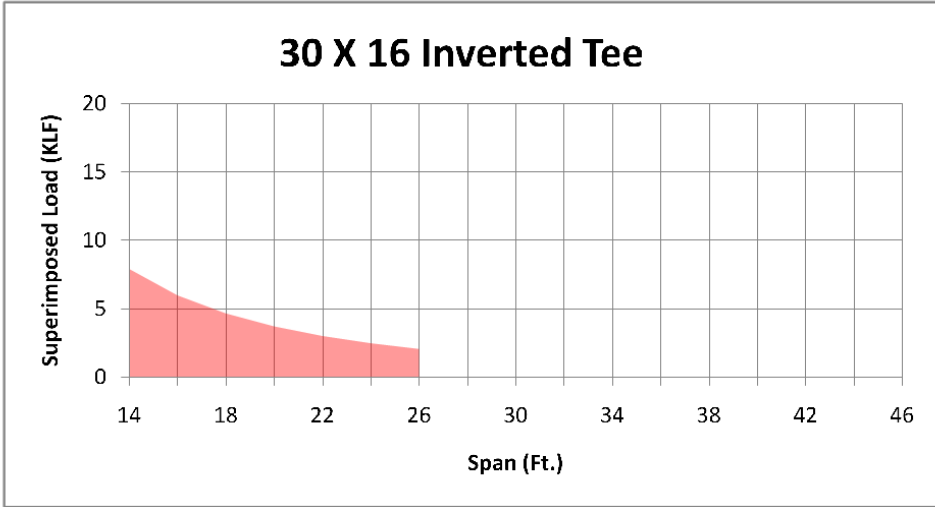


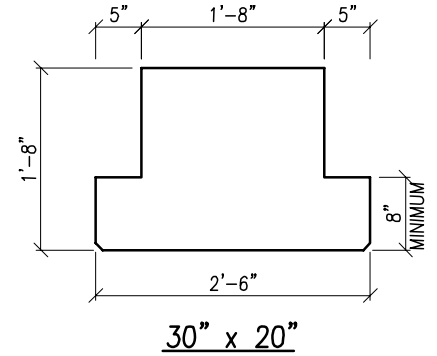
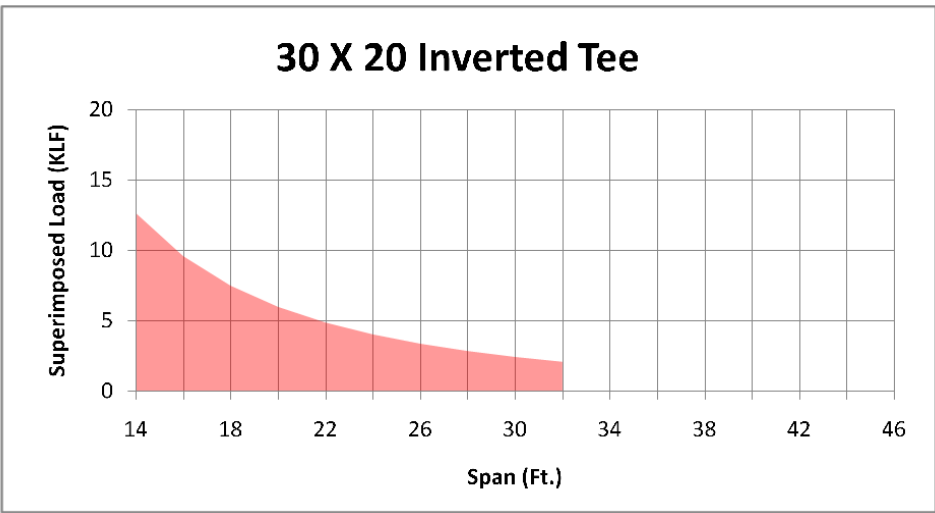
# INVERTED TEE BEAMS



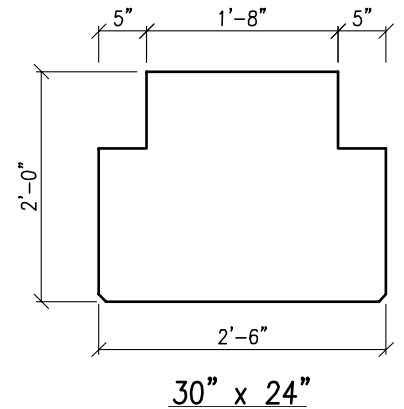
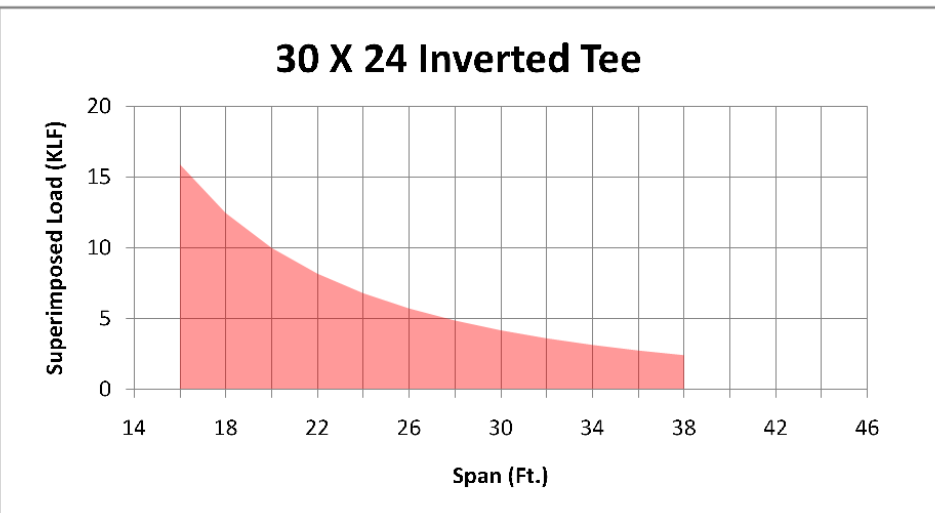
### 30 X 16 Inverted Tee



### 30 X 20 Inverted Tee



### 30 X 24 Inverted Tee



Load Tables are presented as guidelines only. Design requirements must be reviewed by the engineer of record for each specific project.  
Spancrete | P.O. Box 828 | Waukesha, WI 53187 | 414-290-9000 | www.spancrete.com