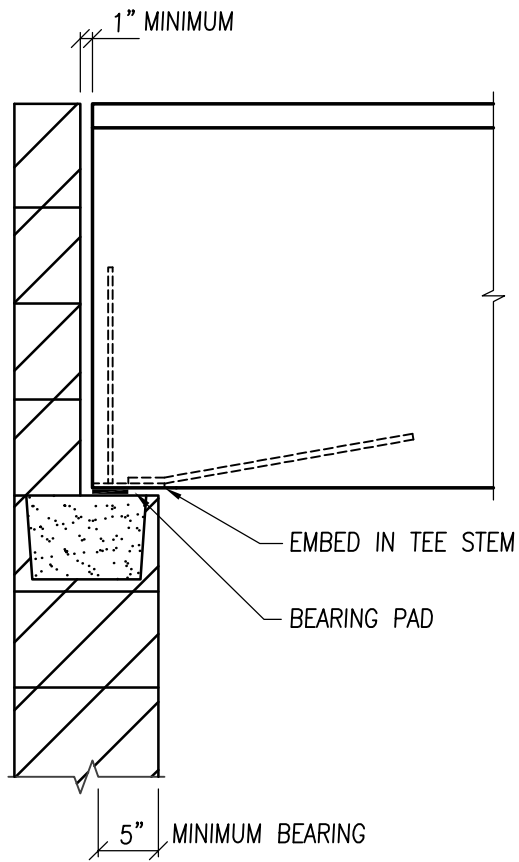


SPANCRETE

®

**DOUBLE TEE
DETAILS**



SPANCRETE

Drafting & Engineering Offices

Waukesha, WI: 414-290-9000
Valders, WI: 920-775-4121

Sales Offices

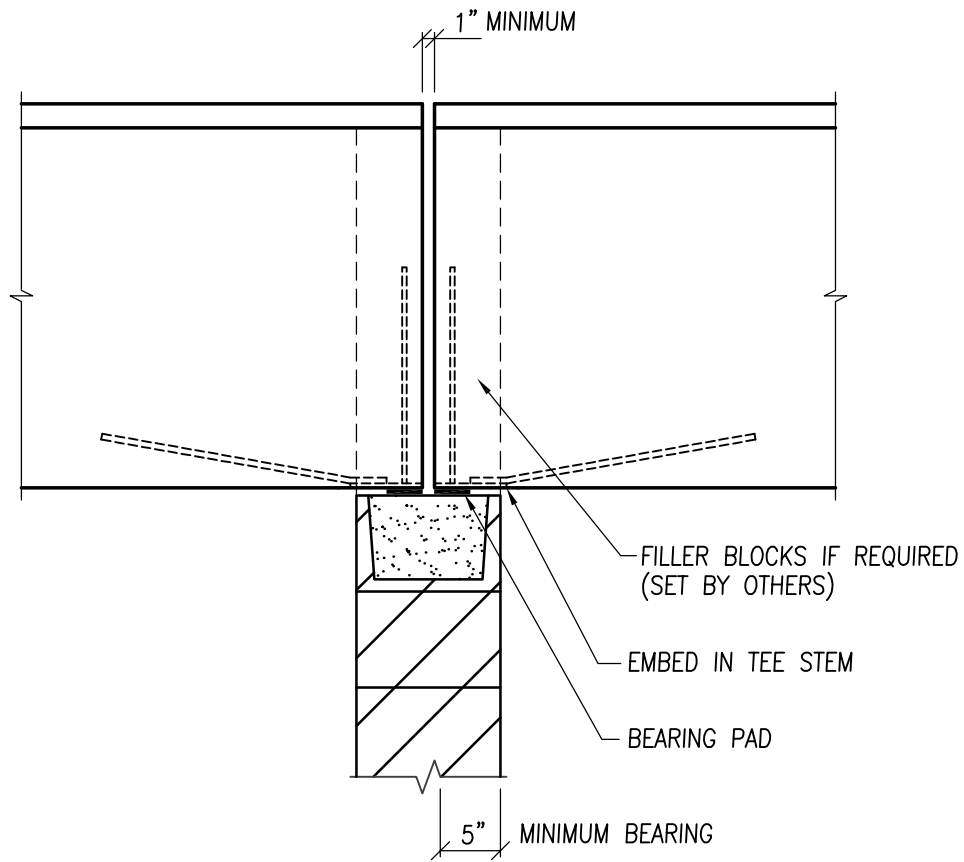
Waukesha, WI
414-290-9000

Green Bay, WI
920-494-0274

Arlington Heights, IL
847-879-2100

DETAIL NUMBER:

T-1



SPANCRETE

Drafting & Engineering Offices

Waukesha, WI: 414-290-9000
Valders, WI: 920-775-4121

Sales Offices

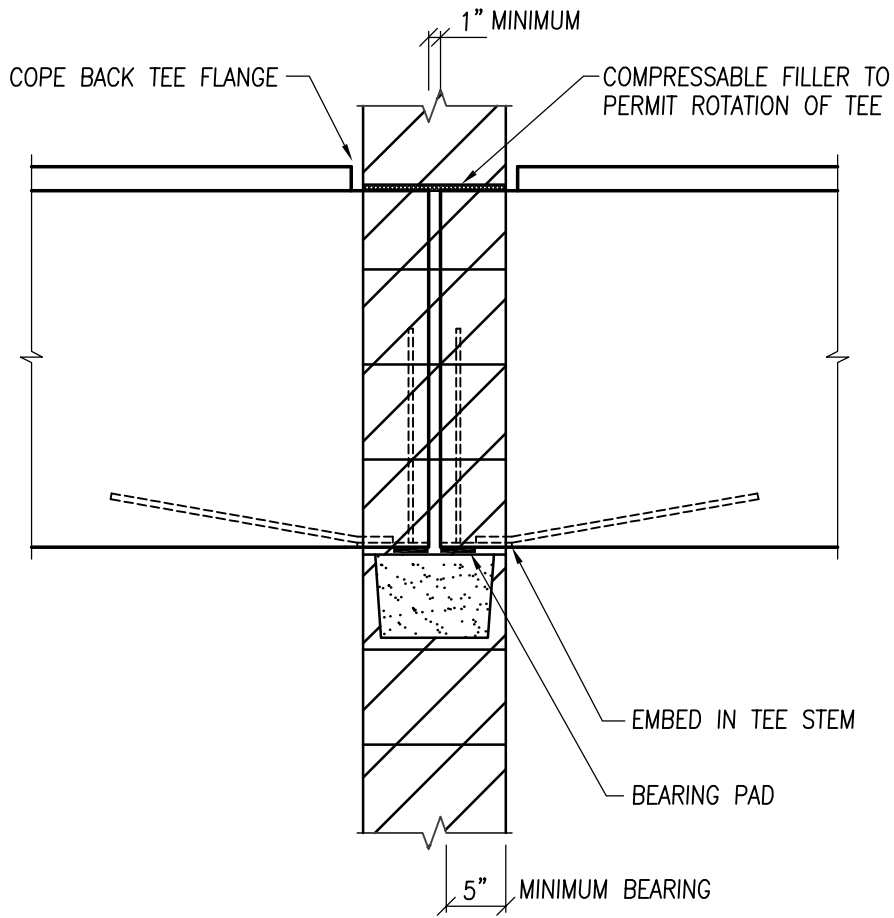
Waukesha, WI
414-290-9000

Green Bay, WI
920-494-0274

Arlington Heights, IL
847-879-2100

DETAIL NUMBER:

T-2



SPANCRETE

Drafting & Engineering Offices

Waukesha, WI: 414-290-9000
Valders, WI: 920-775-4121

Sales Offices

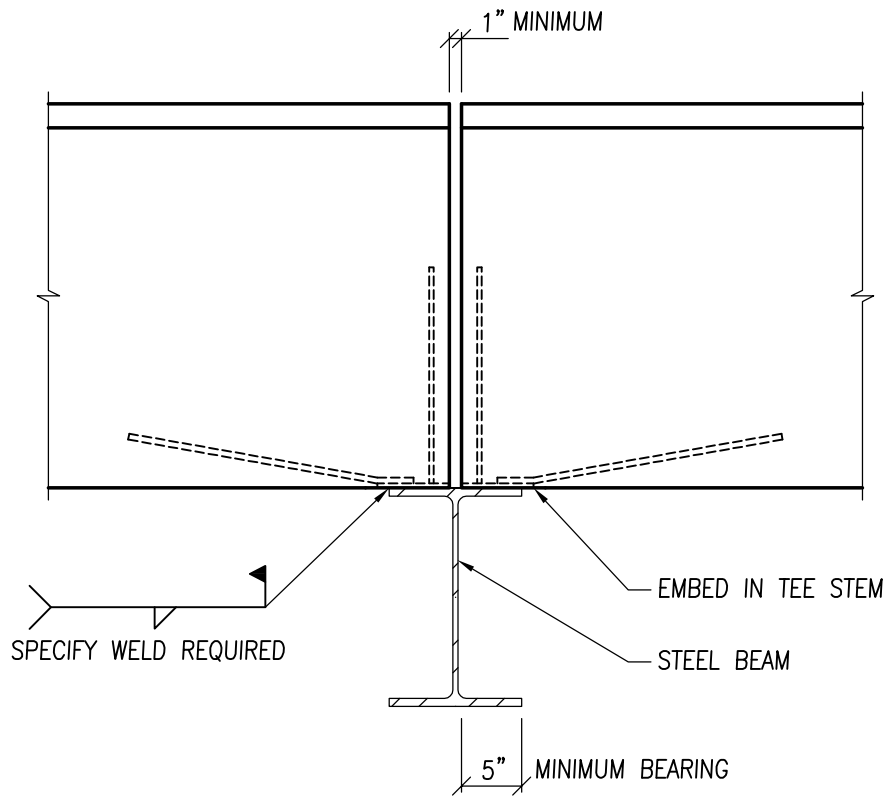
Waukesha, WI
414-290-9000

Green Bay, WI
920-494-0274

Arlington Heights, IL
847-879-2100

DETAIL NUMBER:

T-3



SPANCRETE

Drafting & Engineering Offices
 Waukesha, WI: 414-290-9000
 Valders, WI: 920-775-4121

Sales Offices

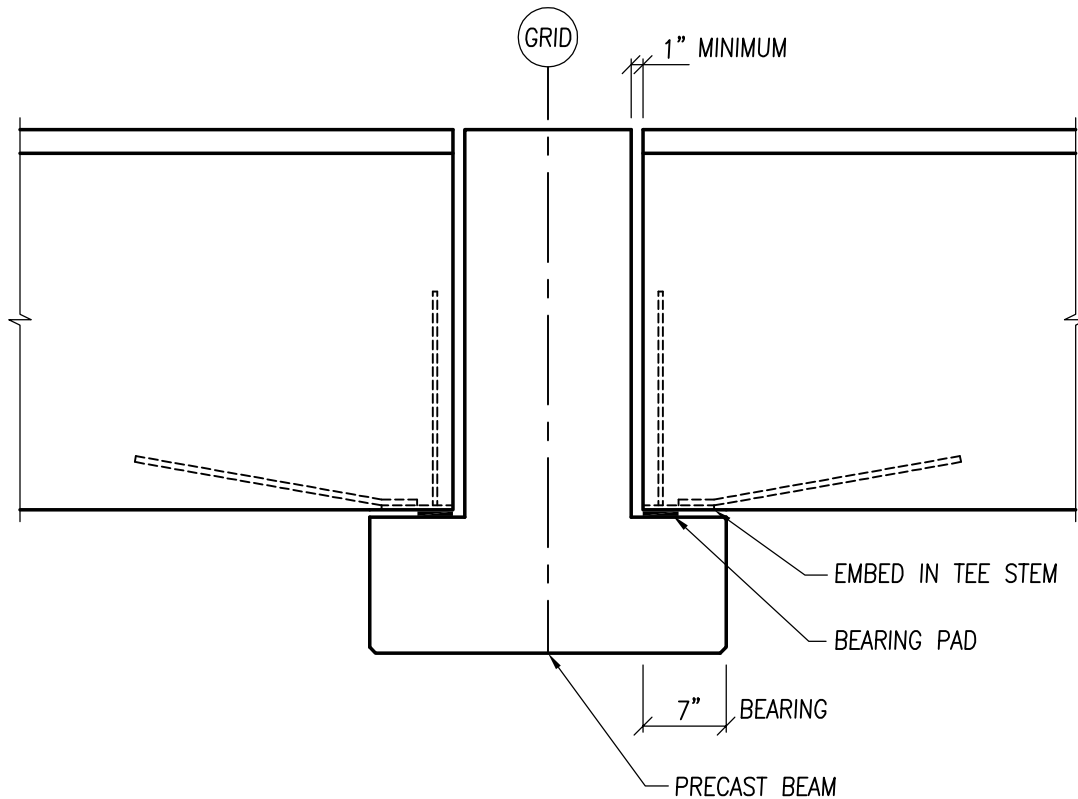
Waukesha, WI
 414-290-9000

Green Bay, WI
 920-494-0274

Arlington Heights, IL
 847-879-2100

DETAIL NUMBER:

T-4



SPANCRETE

Drafting & Engineering Offices

Waukesha, WI: 414-290-9000
Valders, WI: 920-775-4121

Sales Offices

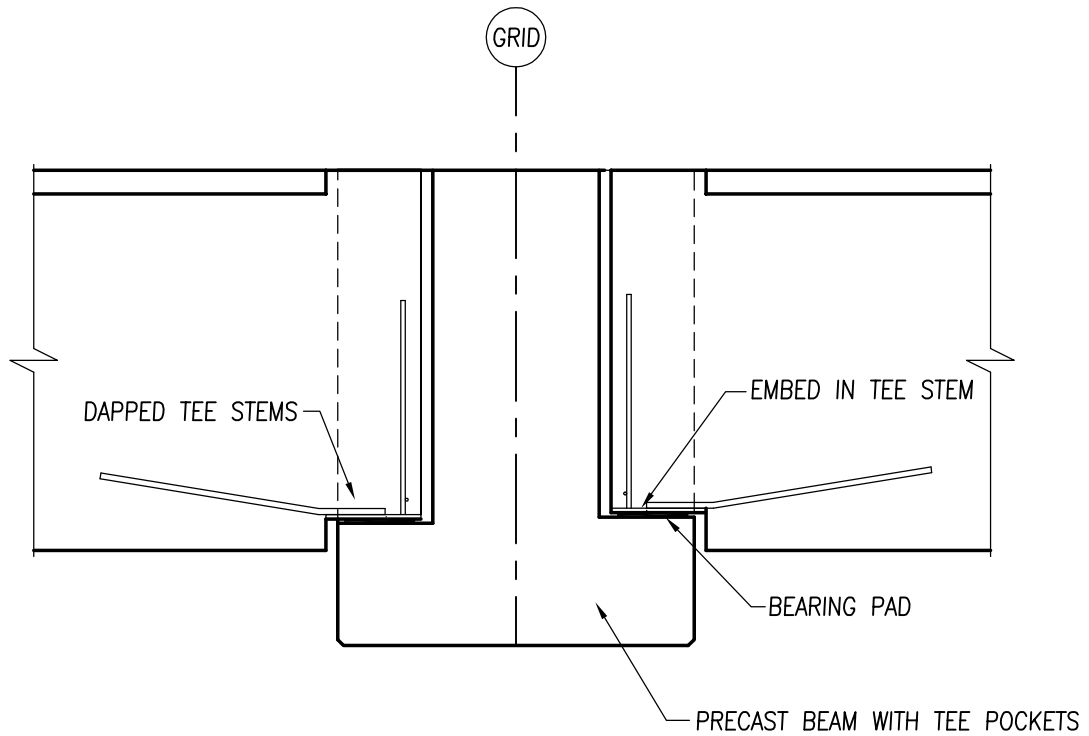
Waukesha, WI
414-290-9000

Green Bay, WI
920-494-0274

Arlington Heights, IL
847-879-2100

DETAIL NUMBER:

T-5



SPANCRETE

Drafting & Engineering Offices

Waukesha, WI: 414-290-9000
Valders, WI: 920-775-4121

Sales Offices

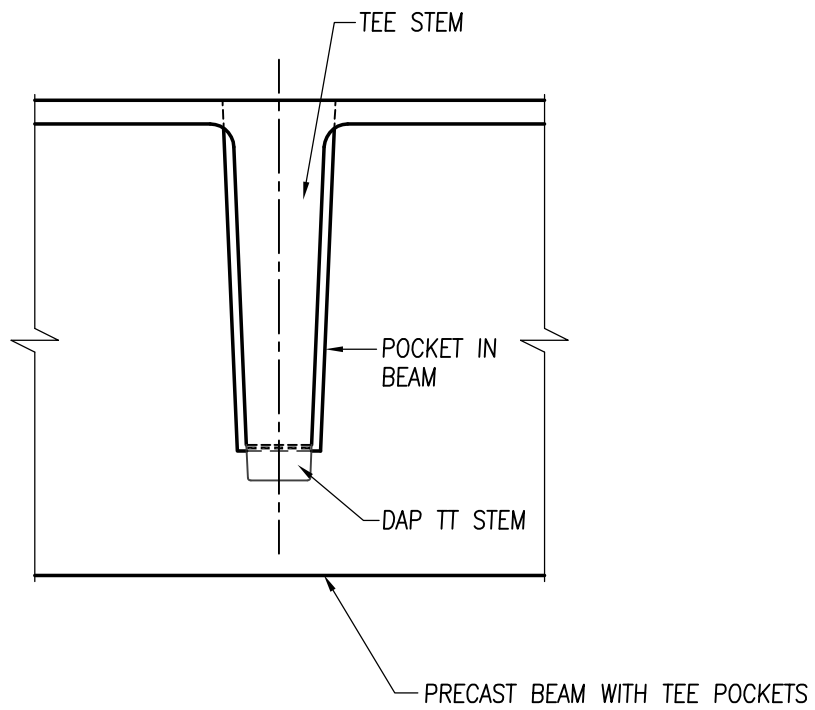
Waukesha, WI
414-290-9000

Green Bay, WI
920-494-0274

Arlington Heights, IL
847-879-2100

DETAIL NUMBER:

T-6



SPANCRETE

Drafting & Engineering Offices

Waukesha, WI: 414-290-9000
Valders, WI: 920-775-4121

Sales Offices

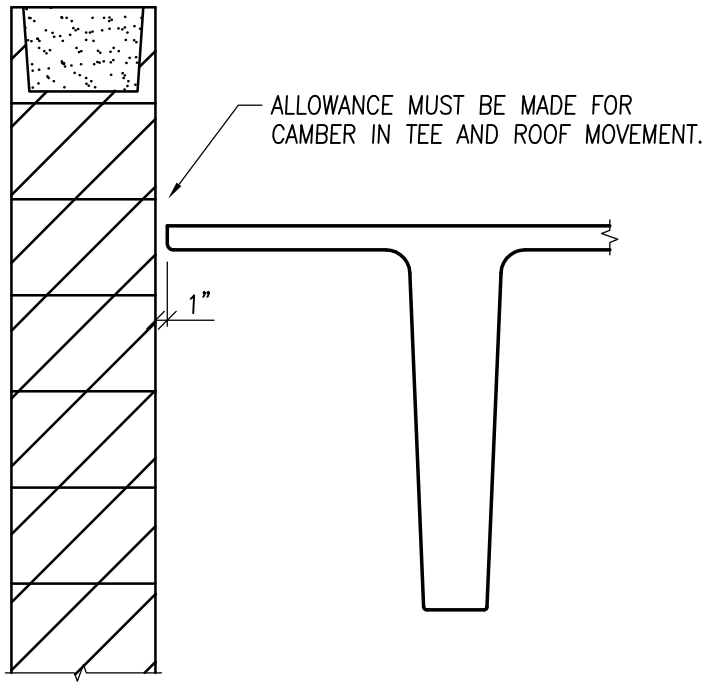
Waukesha, WI
414-290-9000

Green Bay, WI
920-494-0274

Arlington Heights, IL
847-879-2100

DETAIL NUMBER:

T-7



SPANCRETE

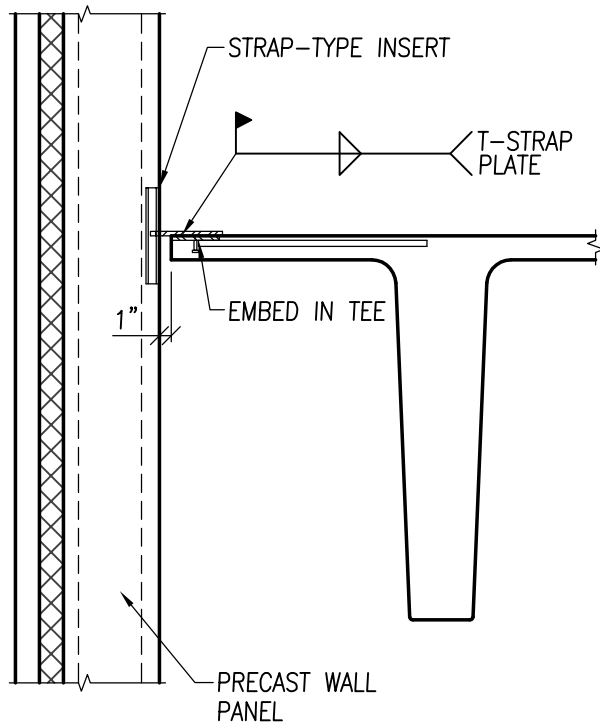
Drafting & Engineering Offices
 Waukesha, WI: 414-290-9000
 Valders, WI: 920-775-4121

Sales Offices

Waukesha, WI 414-290-9000	Green Bay, WI 920-494-0274	Arlington Heights, IL 847-879-2100
------------------------------	-------------------------------	---------------------------------------

DETAIL NUMBER:

T-8



SPANCRETE

Drafting & Engineering Offices

Waukesha, WI: 414-290-9000
Valders, WI: 920-775-4121

Sales Offices

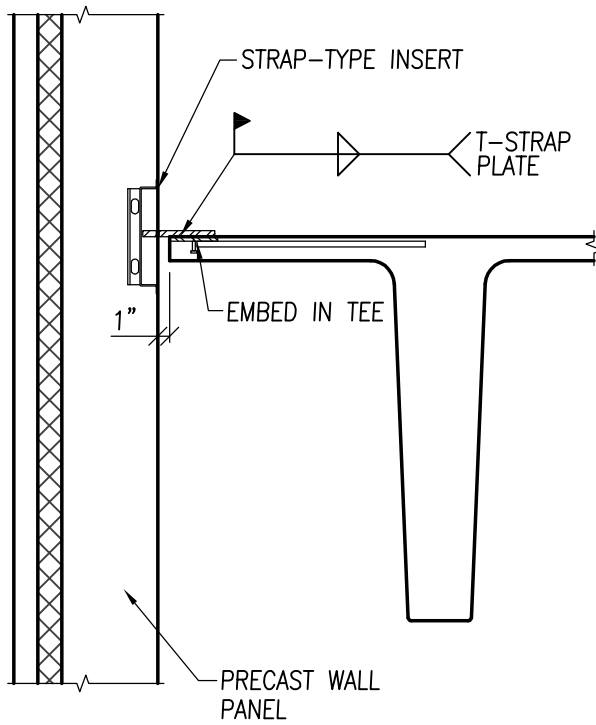
Waukesha, WI
414-290-9000

Green Bay, WI
920-494-0274

Arlington Heights, IL
847-879-2100

DETAIL NUMBER:

T-9



SPANCRETE

Drafting & Engineering Offices

Waukesha, WI: 414-290-9000
Valders, WI: 920-775-4121

Sales Offices

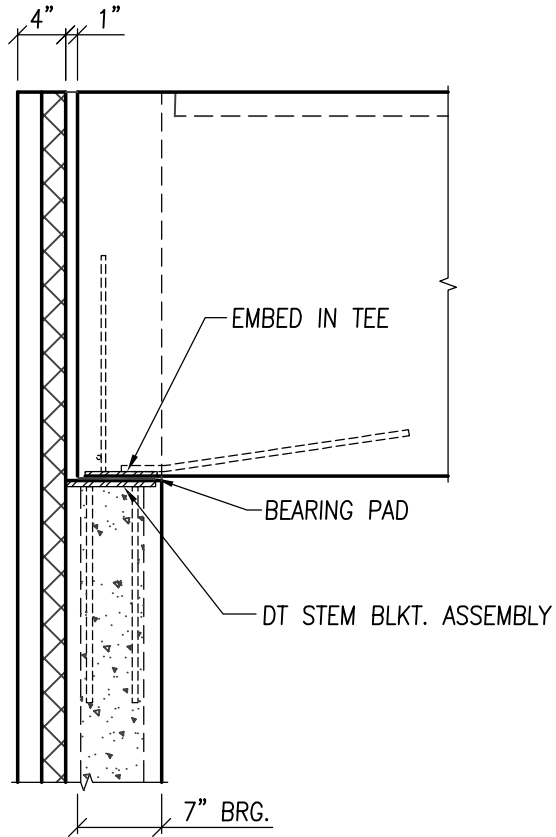
Waukesha, WI
414-290-9000

Green Bay, WI
920-494-0274

Arlington Heights, IL
847-879-2100

DETAIL NUMBER:

T-10



SPANCRETE

Drafting & Engineering Offices

Waukesha, WI: 414-290-9000
Valders, WI: 920-775-4121

Sales Offices

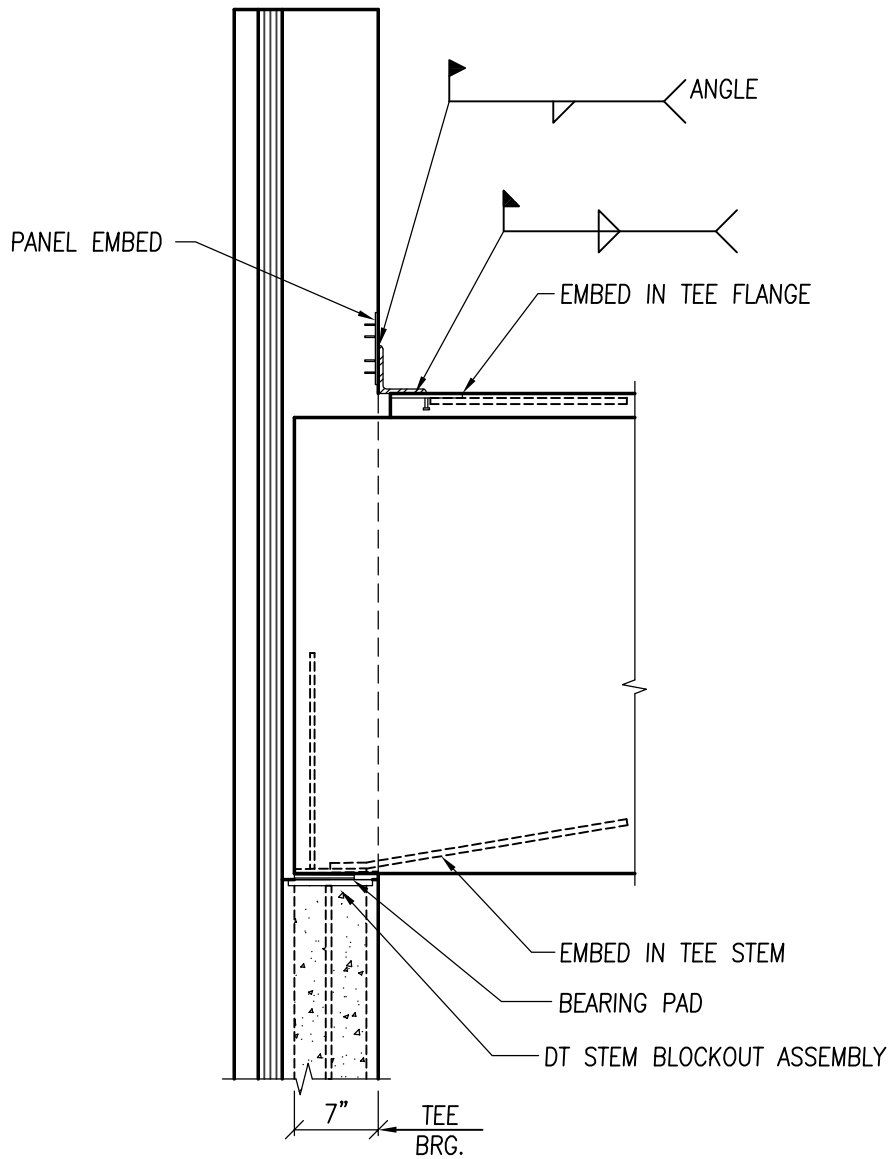
Waukesha, WI
414-290-9000

Green Bay, WI
920-494-0274

Arlington Heights, IL
847-879-2100

DETAIL NUMBER:

T-11



SPANCRETE

Drafting & Engineering Offices
 Waukesha, WI: 414-290-9000
 Valders, WI: 920-775-4121

Sales Offices

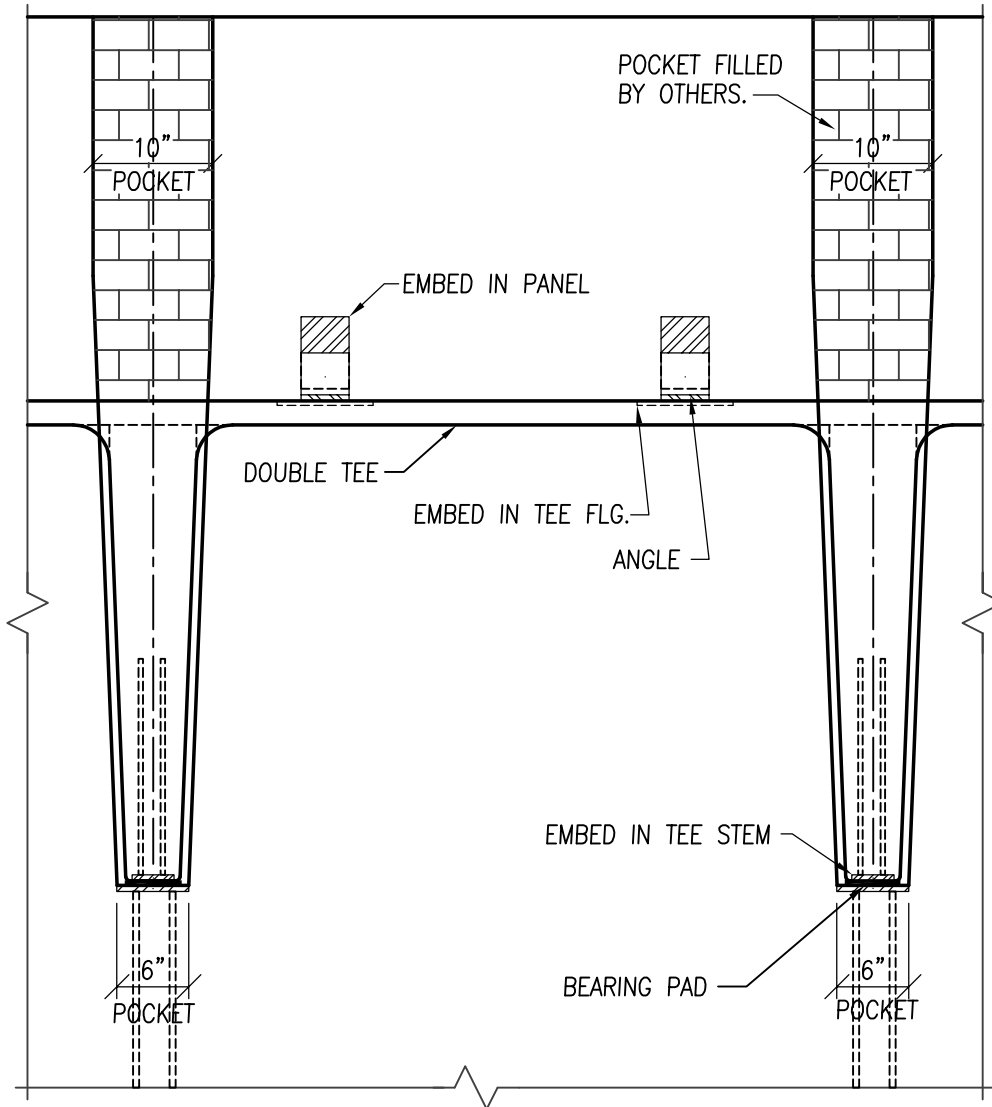
Waukesha, WI
 414-290-9000

Green Bay, WI
 920-494-0274

Arlington Heights, IL
 847-879-2100

DETAIL NUMBER:

T-12



SPANCRETE

Drafting & Engineering Offices

Waukesha, WI: 414-290-9000
Valders, WI: 920-775-4121

Sales Offices

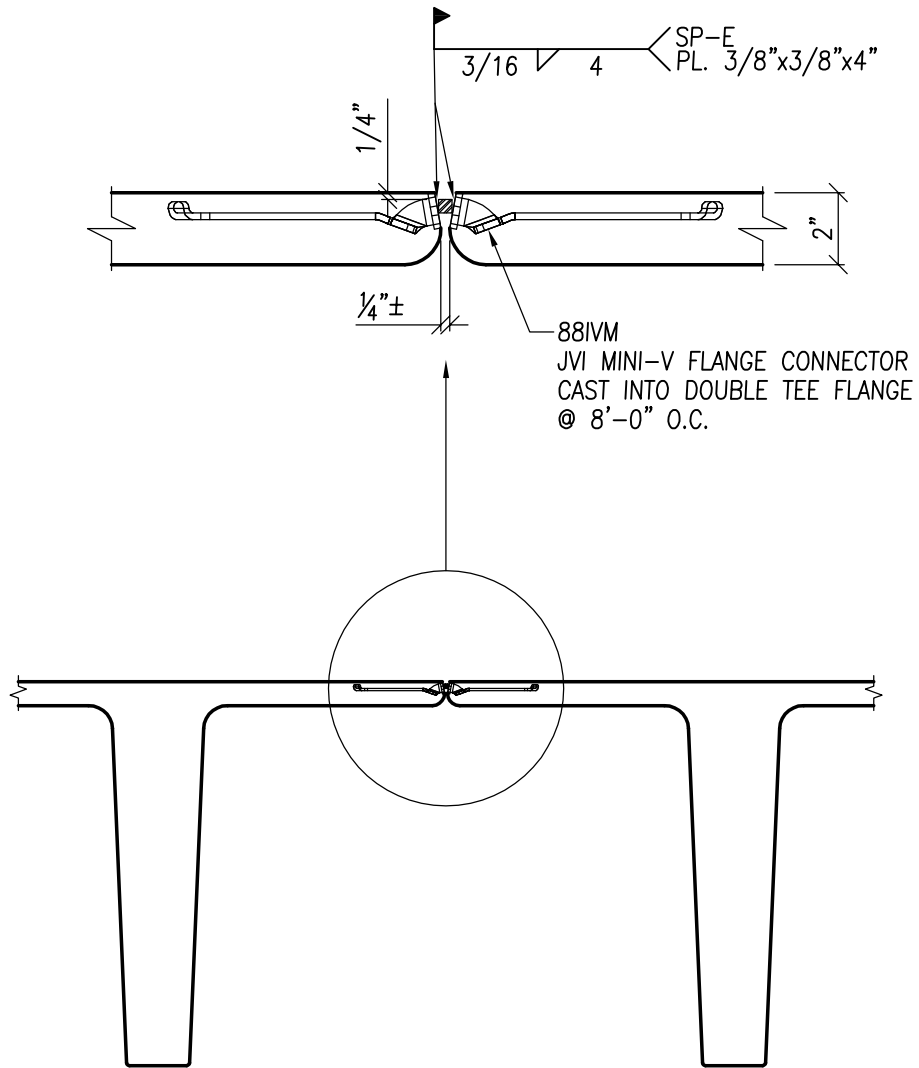
Waukesha, WI
414-290-9000

Green Bay, WI
920-494-0274

Arlington Heights, IL
847-879-2100

DETAIL NUMBER:

T-13



TEE TO TEE CONNECTION

SPANCRETE

Drafting & Engineering Offices

Waukesha, WI: 414-290-9000
Valders, WI: 920-775-4121

Sales Offices

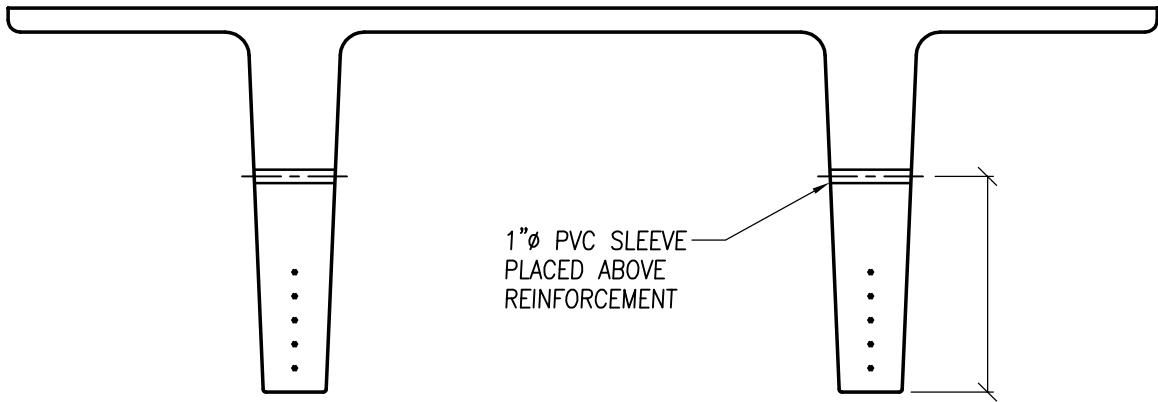
Waukesha, WI
414-290-9000

Green Bay, WI
920-494-0274

Arlington Heights, IL
847-879-2100

DETAIL NUMBER:

T-14



SPANCRETE

Drafting & Engineering Offices

Waukesha, WI: 414-290-9000
Valders, WI: 920-775-4121

Sales Offices

Waukesha, WI
414-290-9000

Green Bay, WI
920-494-0274

Arlington Heights, IL
847-879-2100

DETAIL NUMBER:

T-15