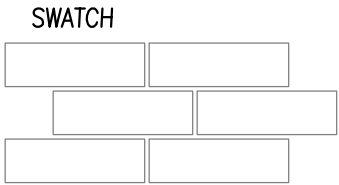
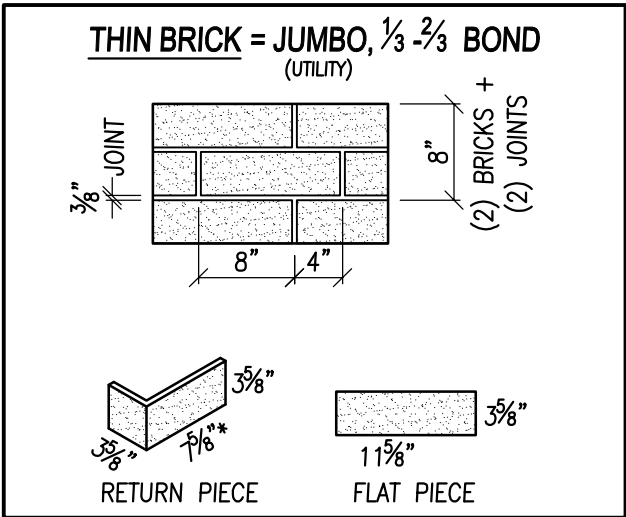
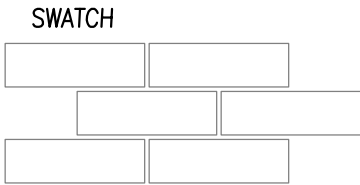
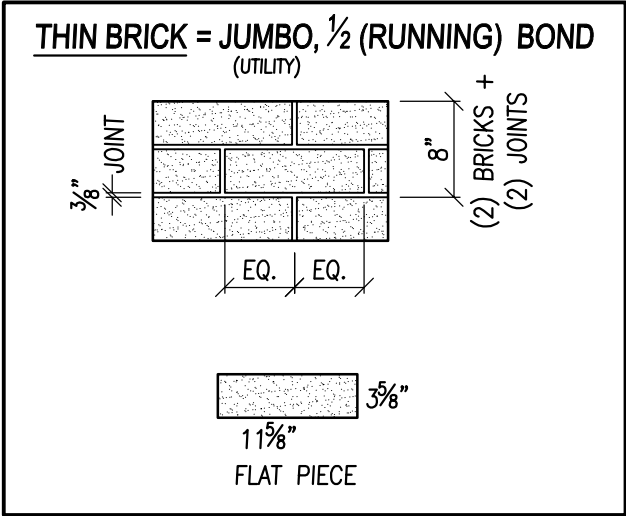
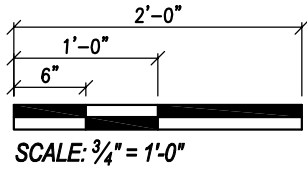


**SPANCRETE**

®

**FORMCAST WALL PANEL  
DETAILS W/ THIN-BRICK  
(NON-COMPOSITE)**



\*11 5/8" AVAILABLE W/ SPECIAL ORDER

**SPANCRETE**

Drafting & Engineering Offices  
Waukesha, WI: 414-290-9000  
Valders, WI: 920-775-4121

**Sales Offices**

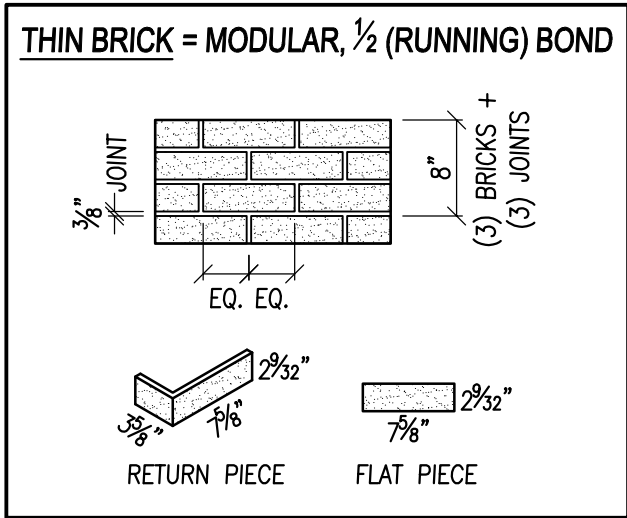
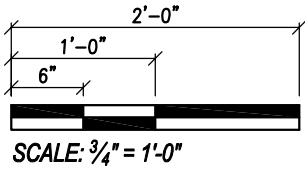
Waukesha, WI  
414-290-9000

Green Bay, WI  
920-494-0274

Arlington Heights, IL  
847-879-2100

DETAIL NUMBER:

**A-42**



SWATCH



**SPANCRETE**

Drafting & Engineering Offices

Waukesha, WI: 414-290-9000  
Valders, WI: 920-775-4121

Sales Offices

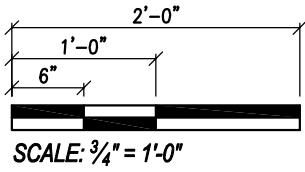
Waukesha, WI  
414-290-9000

Green Bay, WI  
920-494-0274

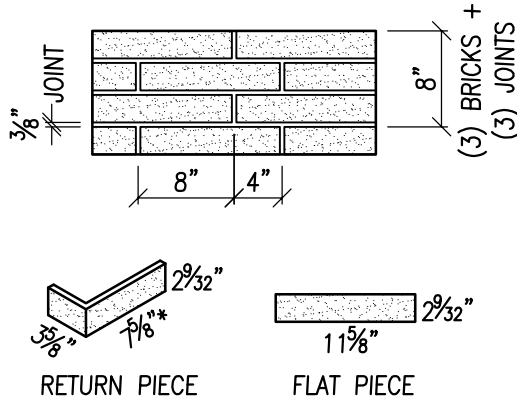
Arlington Heights, IL  
847-879-2100

DETAIL NUMBER:

**A-43**



**THIN BRICK = NORMAN, 1/3 BOND**

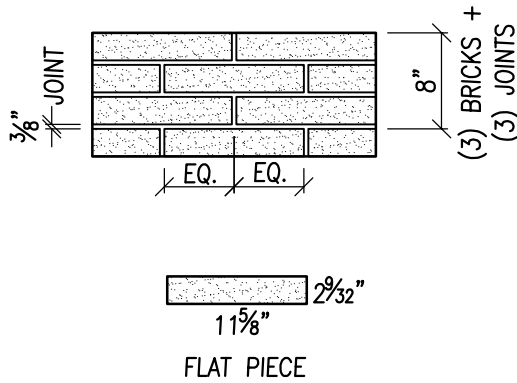


SWATCH

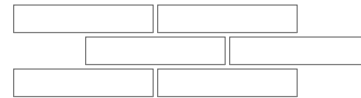


\*1 15/8" AVAILABLE W/ SPECIAL ORDER

**THIN BRICK = NORMAN, 1/2 (RUNNING) BOND**



SWATCH



**SPANCRETE**

Drafting & Engineering Offices

Waukesha, WI: 414-290-9000  
Valders, WI: 920-775-4121

Sales Offices

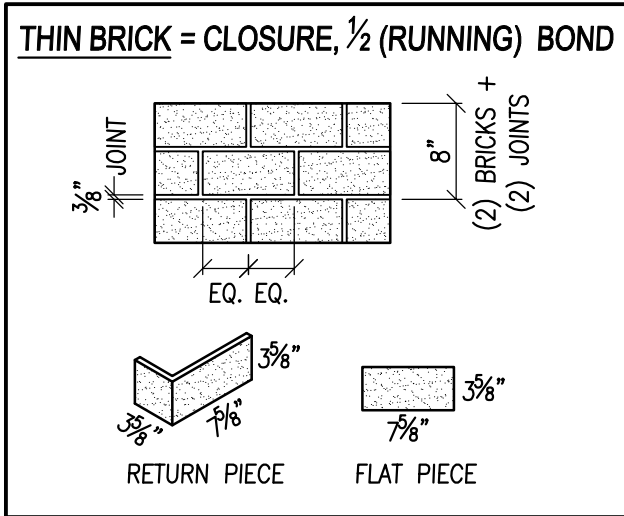
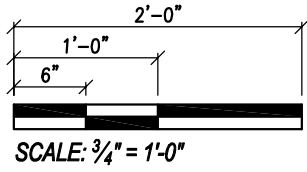
Waukesha, WI  
414-290-9000

Green Bay, WI  
920-494-0274

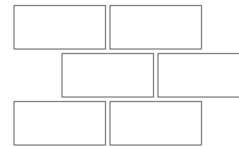
Arlington Heights, IL  
847-879-2100

DETAIL NUMBER:

**A-44**



SWATCH



**SPANCRETE**

Drafting & Engineering Offices

Waukesha, WI: 414-290-9000  
Valders, WI: 920-775-4121

Sales Offices

Waukesha, WI  
414-290-9000

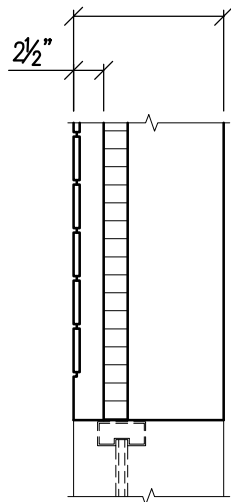
Green Bay, WI  
920-494-0274

Arlington Heights, IL  
847-879-2100

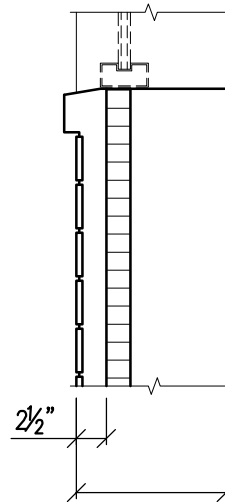
DETAIL NUMBER:

**A-45**

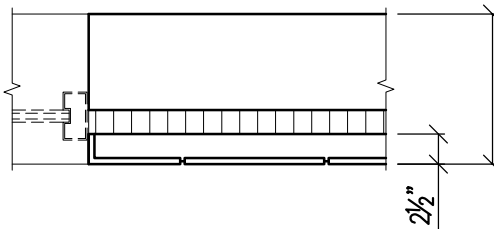
MISC. DETAILS – SHALLOW WINDOW/DOOR FRAMING



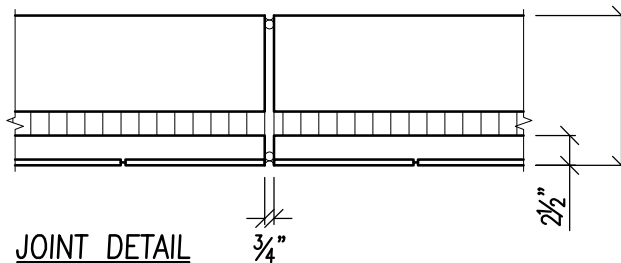
HEAD DETAIL



SILL DETAIL



JAMB DETAIL



JOINT DETAIL

**SPANCRETE**

*Drafting & Engineering Offices*

Waukesha, WI: 414-290-9000  
Valders, WI: 920-775-4121

*Sales Offices*

Waukesha, WI  
414-290-9000

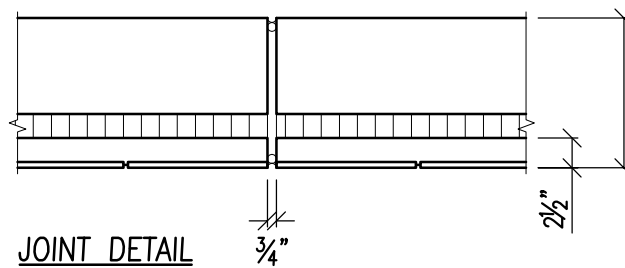
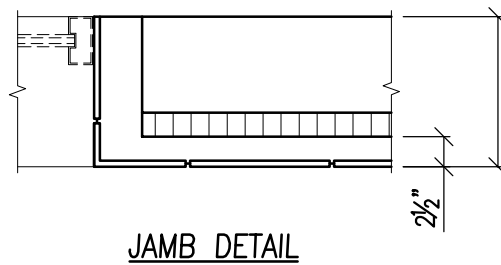
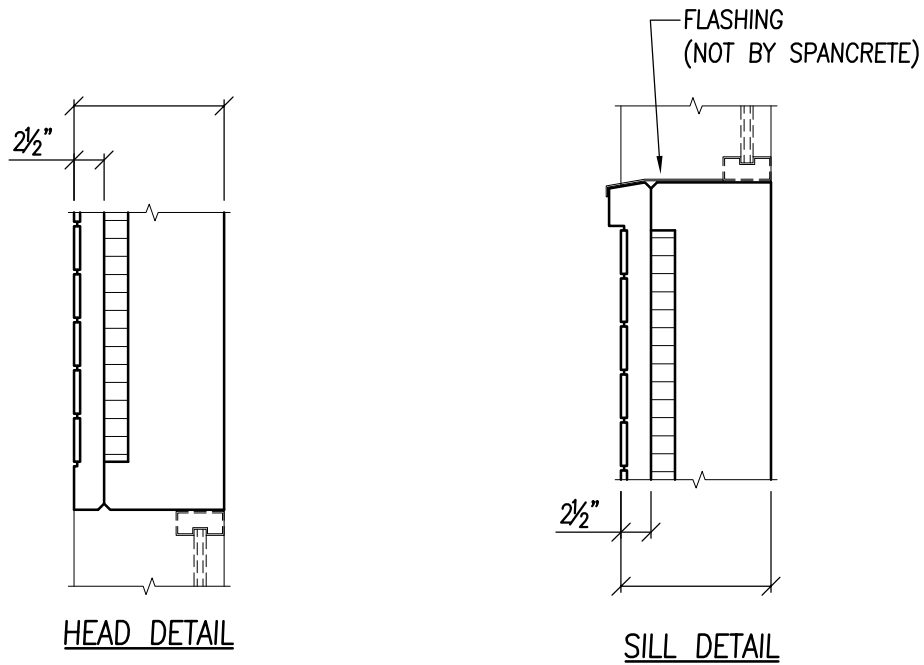
Green Bay, WI  
920-494-0274

Arlington Heights, IL  
847-879-2100

DETAIL NUMBER:

**A-46**

MISC. DETAILS – DEEP WINDOW/DOOR FRAMING



**SPANCRETE**

Drafting & Engineering Offices

Waukesha, WI: 414-290-9000  
Valders, WI: 920-775-4121

Sales Offices

Waukesha, WI  
414-290-9000

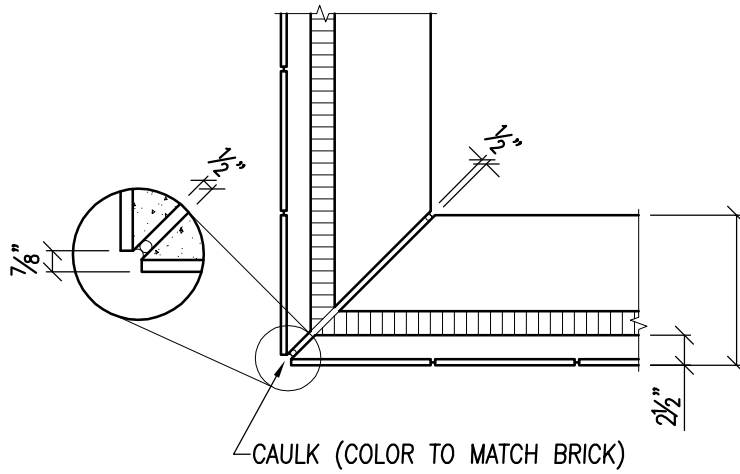
Green Bay, WI  
920-494-0274

Arlington Heights, IL  
847-879-2100

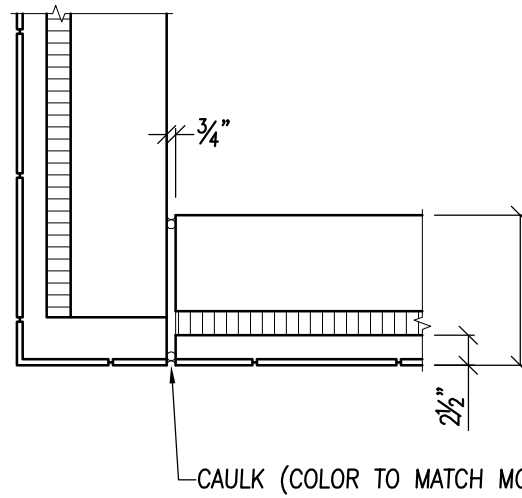
DETAIL NUMBER:

**A-47**

OUTSIDE CORNER OPTIONS



MITERED CORNER DETAIL



WRAPPED CORNER (BUTT JOINT) DETAIL

**SPANCRETE**

*Drafting & Engineering Offices*

Waukesha, WI: 414-290-9000  
Valders, WI: 920-775-4121

*Sales Offices*

Waukesha, WI  
414-290-9000

Green Bay, WI  
920-494-0274

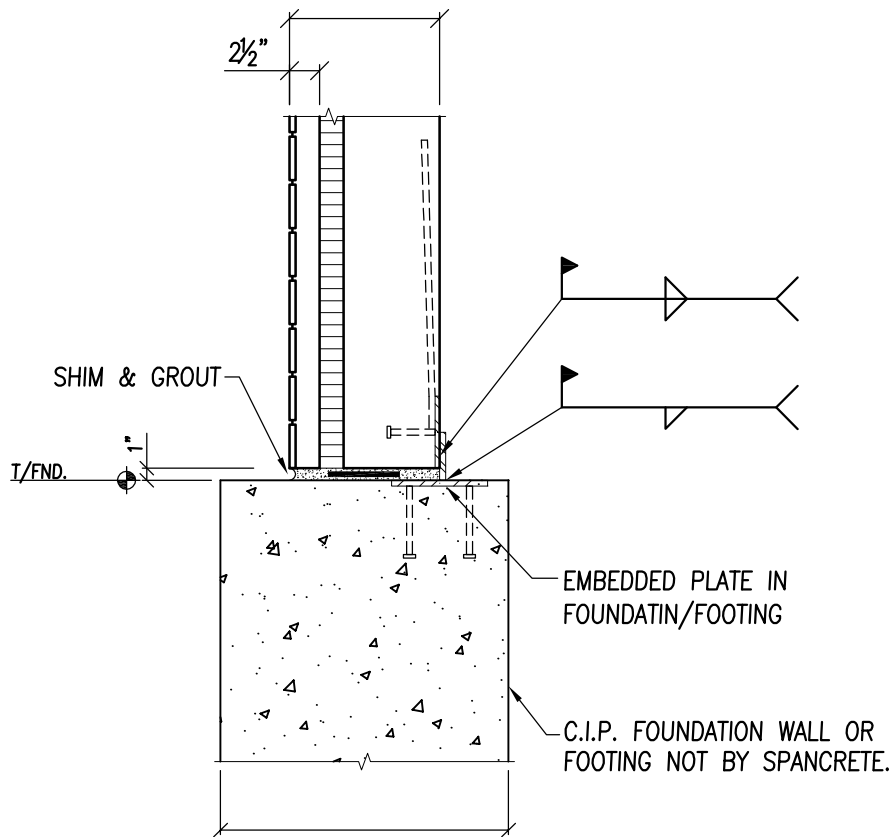
Arlington Heights, IL  
847-879-2100

DETAIL NUMBER:

**A-48**



BASE CONNECTION



**SPANCRETE**

*Drafting & Engineering Offices*  
Waukesha, WI: 414-290-9000  
Valders, WI: 920-775-4121

*Sales Offices*

Waukesha, WI  
414-290-9000

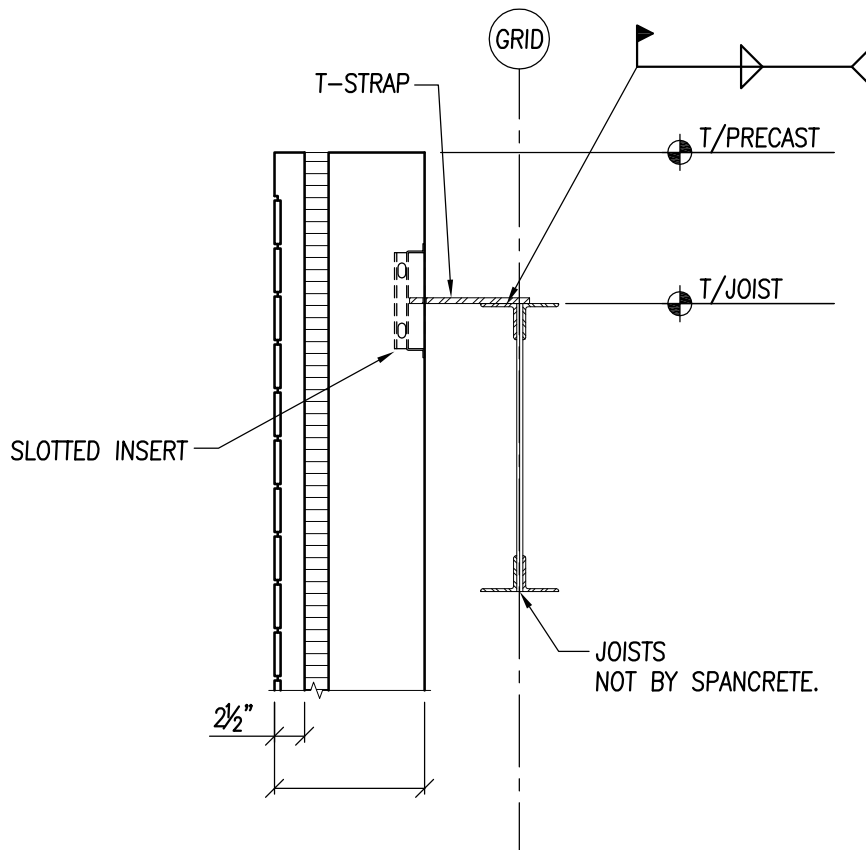
Green Bay, WI  
920-494-0274

Arlington Heights, IL  
847-879-2100

DETAIL NUMBER:

**A-49**

TIEBACK TO JOIST



**SPANCRETE**

*Drafting & Engineering Offices*

Waukesha, WI: 414-290-9000  
Valders, WI: 920-775-4121

*Sales Offices*

Waukesha, WI  
414-290-9000

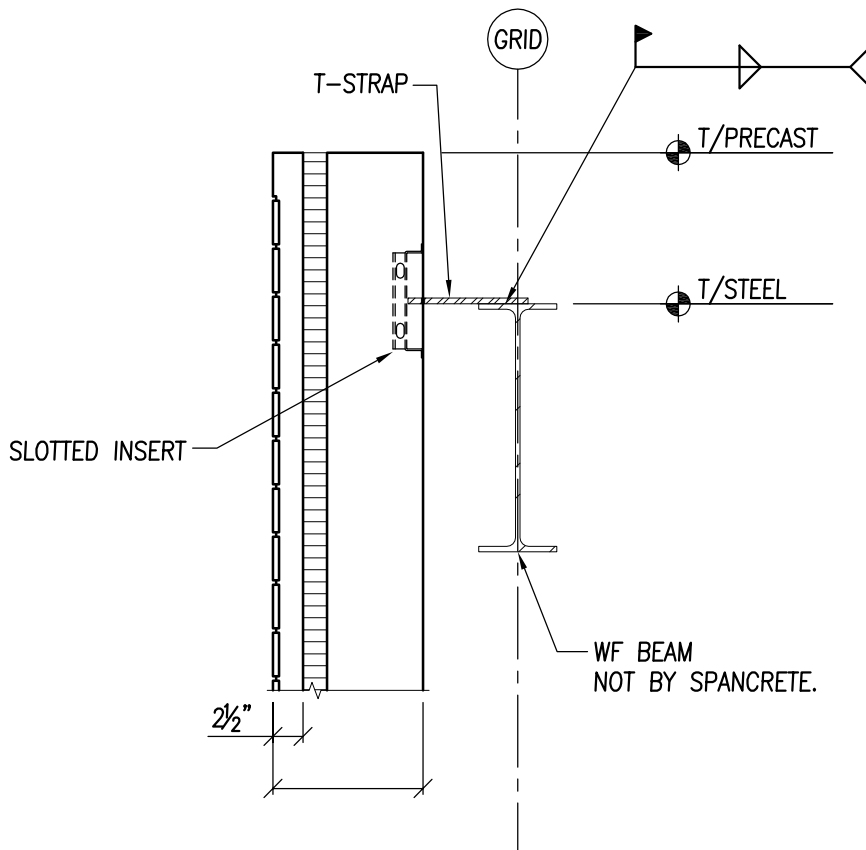
Green Bay, WI  
920-494-0274

Arlington Heights, IL  
847-879-2100

DETAIL NUMBER:

**A-50**

TIEBACK TO STEEL BEAM



**SPANCRETE**

*Drafting & Engineering Offices*

Waukesha, WI: 414-290-9000  
Valders, WI: 920-775-4121

*Sales Offices*

Waukesha, WI  
414-290-9000

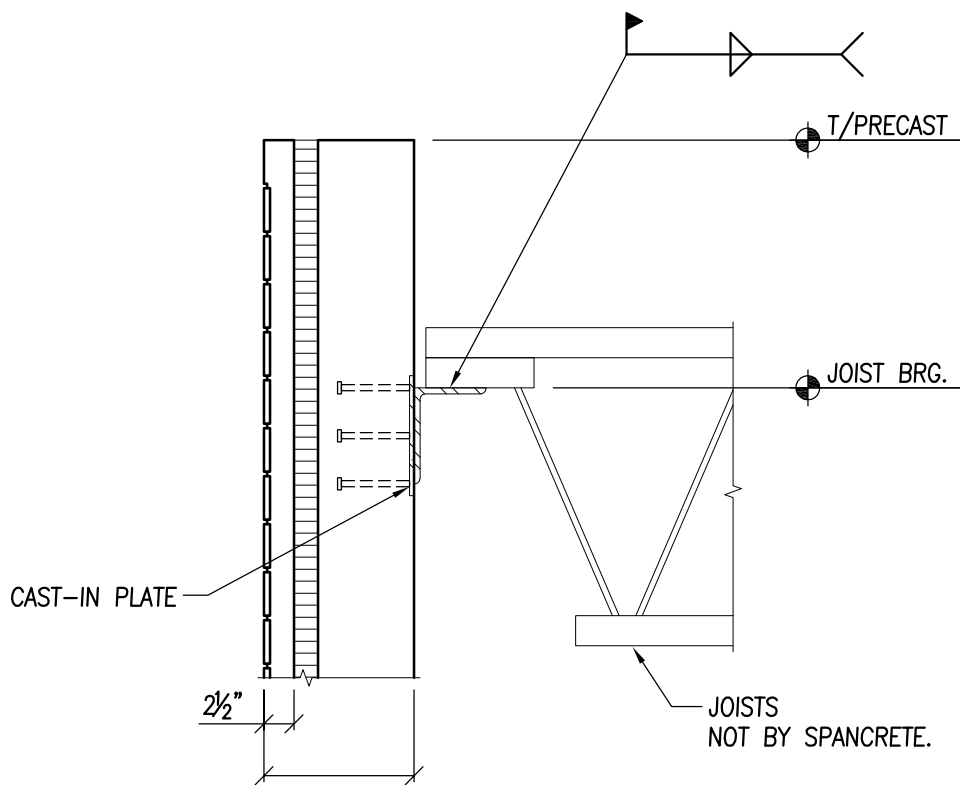
Green Bay, WI  
920-494-0274

Arlington Heights, IL  
847-879-2100

DETAIL NUMBER:

**A-51**

JOIST BEARING ON ANGLE



**SPANCRETE**

*Drafting & Engineering Offices*

Waukesha, WI: 414-290-9000  
Valders, WI: 920-775-4121

*Sales Offices*

Waukesha, WI  
414-290-9000

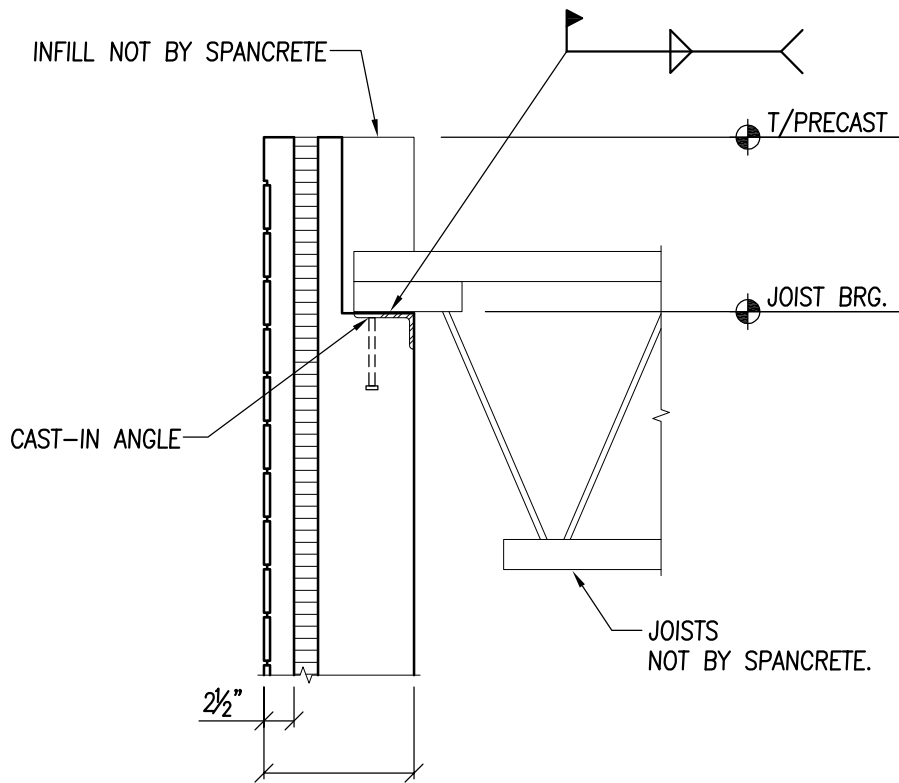
Green Bay, WI  
920-494-0274

Arlington Heights, IL  
847-879-2100

DETAIL NUMBER:

**A-52**

JOIST BEARING IN POCKET



**SPANCRETE**

Drafting & Engineering Offices  
Waukesha, WI: 414-290-9000  
Valders, WI: 920-775-4121

*Sales Offices*

Waukesha, WI  
414-290-9000

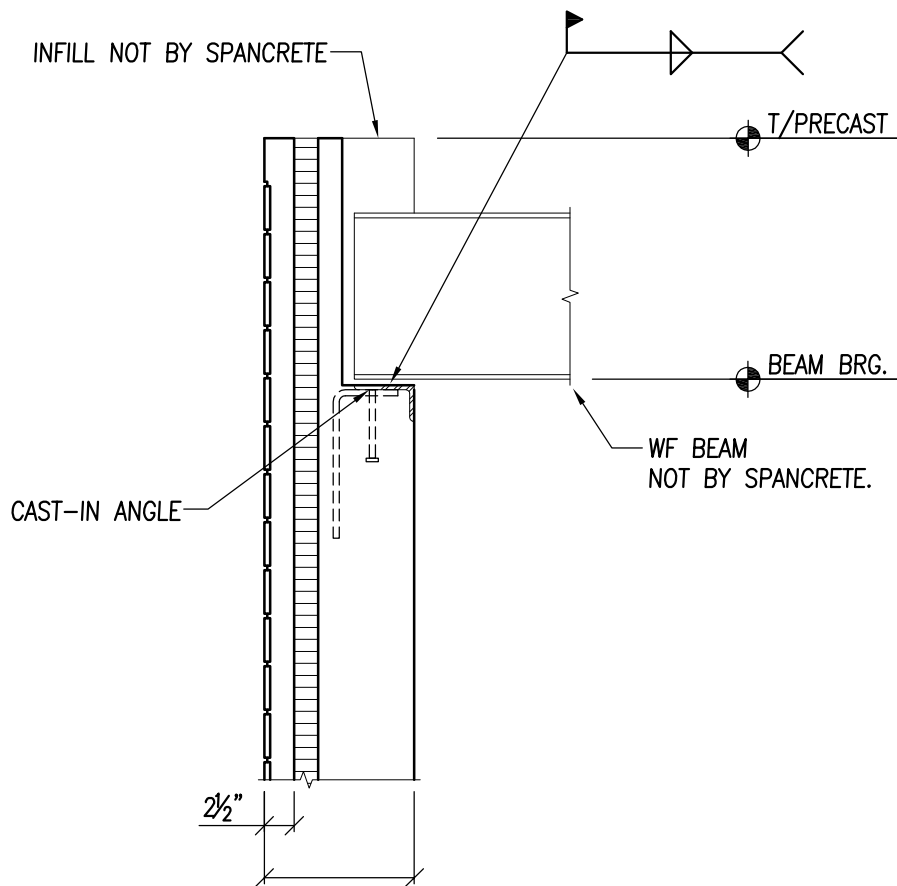
Green Bay, WI  
920-494-0274

Arlington Heights, IL  
847-879-2100

DETAIL NUMBER:

**A-53**

STEEL BEAM BEARING IN POCKET



**SPANCRETE**

*Drafting & Engineering Offices*  
Waukesha, WI: 414-290-9000  
Valders, WI: 920-775-4121

*Sales Offices*

Waukesha, WI  
414-290-9000

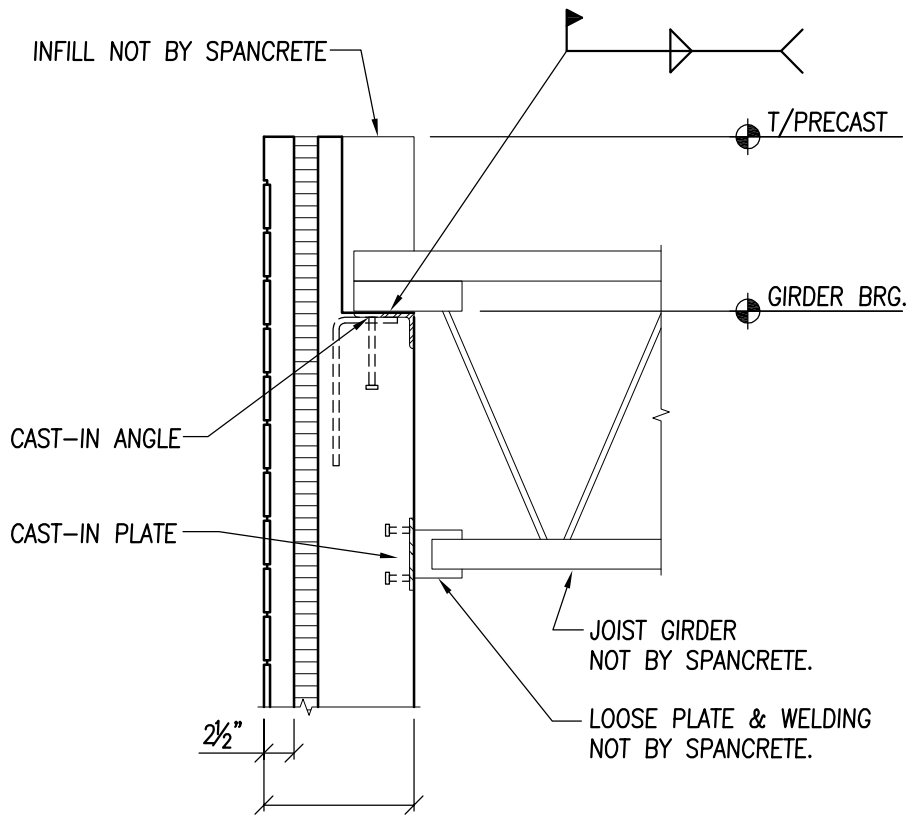
Green Bay, WI  
920-494-0274

Arlington Heights, IL  
847-879-2100

DETAIL NUMBER:

**A-54**

JOIST GIRDER BEARING IN POCKET



**SPANCRETE**

*Drafting & Engineering Offices*

Waukesha, WI: 414-290-9000  
Valders, WI: 920-775-4121

*Sales Offices*

Waukesha, WI  
414-290-9000

Green Bay, WI  
920-494-0274

Arlington Heights, IL  
847-879-2100

DETAIL NUMBER:

**A-55**

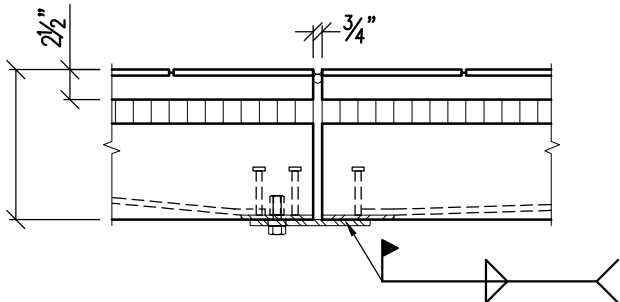
Formcast Wall Panels  
W/ Thin-Brick Veneer  
(Non-Composite)

SUSPENDED PANEL @ OPENING

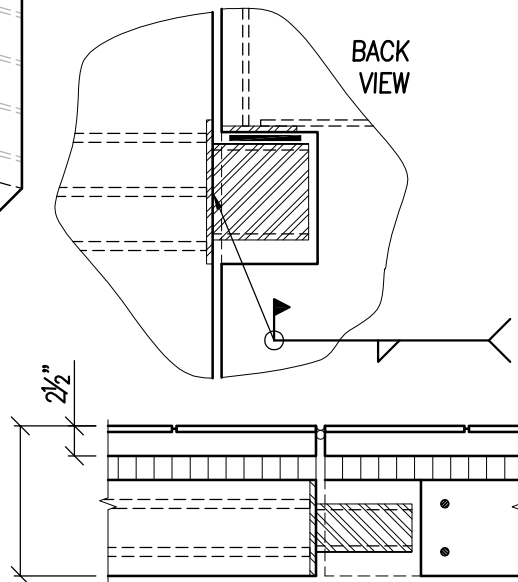
PANEL BEARING CONNECTION

PANEL BRACING CONNECTION

BACK VIEW



PANEL BRACING CONNECTION



PANEL BEARING CONNECTION

**SPANCRETE**

Drafting & Engineering Offices

Waukesha, WI: 414-290-9000  
Valders, WI: 920-775-4121

Sales Offices

Waukesha, WI  
414-290-9000

Green Bay, WI  
920-494-0274

Arlington Heights, IL  
847-879-2100

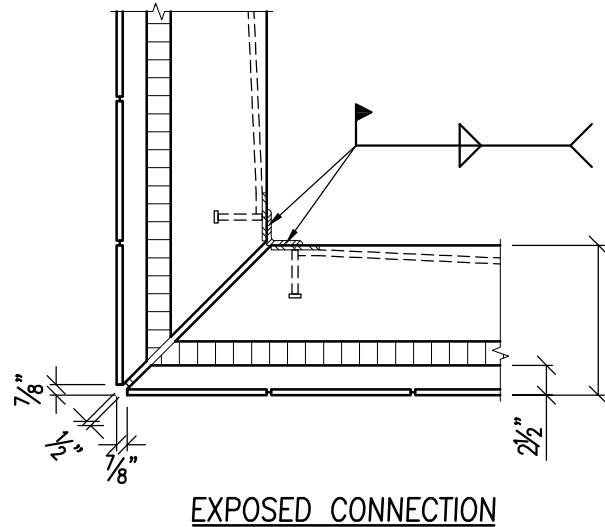
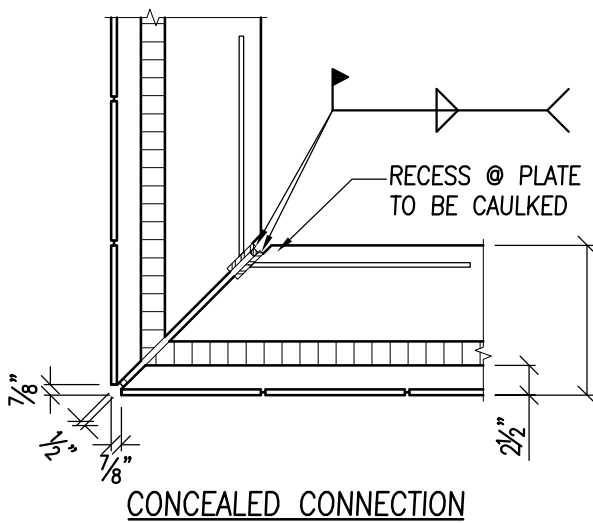
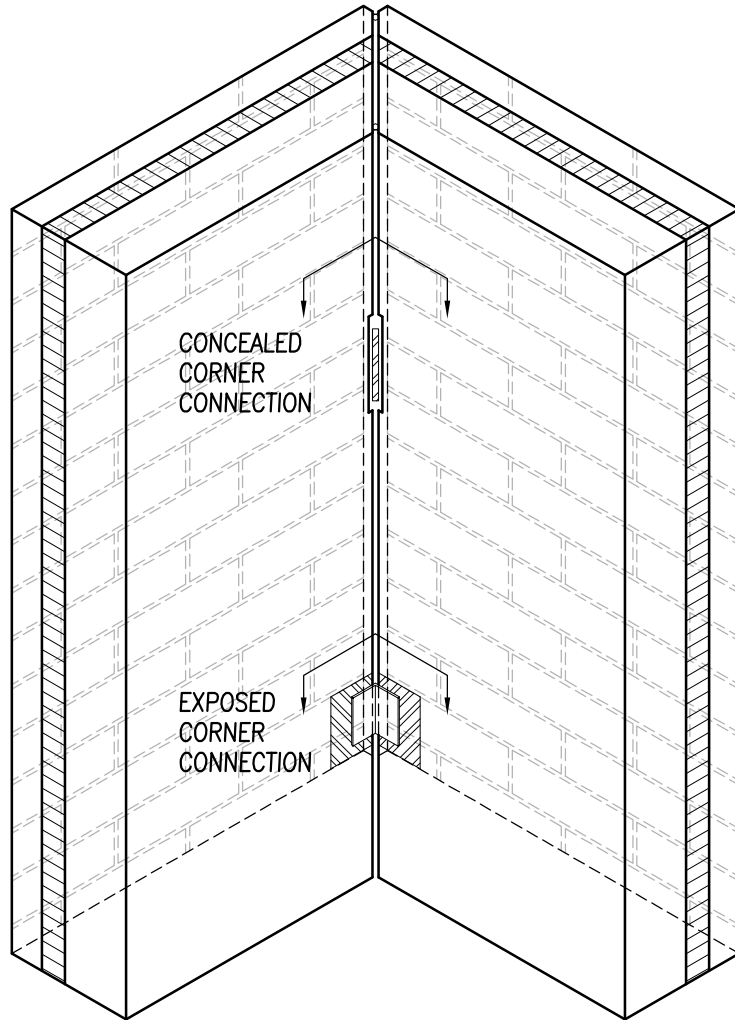
DETAIL NUMBER:

**A-56**



MITERED CORNER DETAIL (FROM INSIDE)

Formcast Wall Panels  
W/ Thin-Brick Veneer  
(Non-Composite)



**SPANCRETE**

Drafting & Engineering Offices

Waukesha, WI: 414-290-9000  
Valders, WI: 920-775-4121

Sales Offices

Waukesha, WI  
414-290-9000

Green Bay, WI  
920-494-0274

Arlington Heights, IL  
847-879-2100

DETAIL NUMBER:

**A-57**