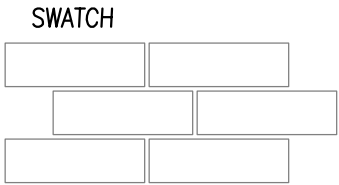
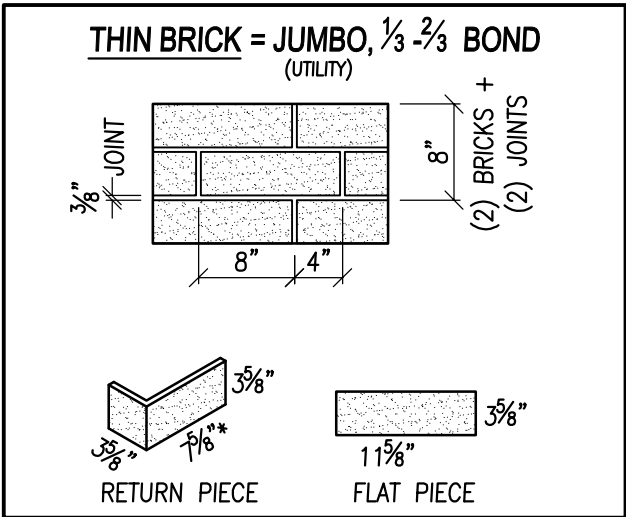
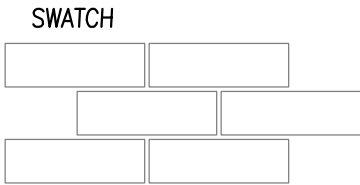
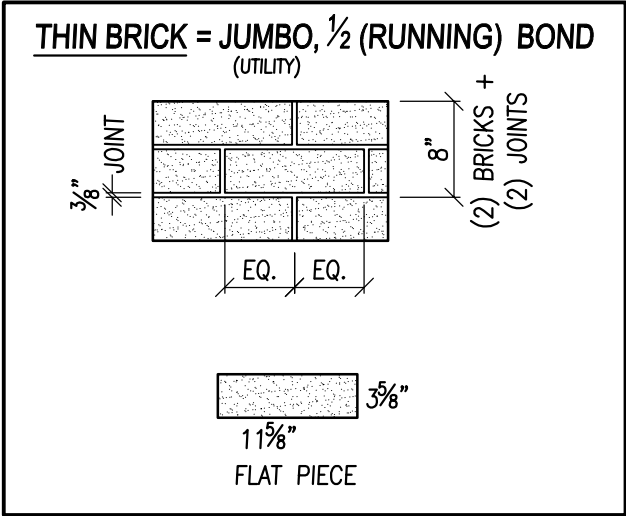
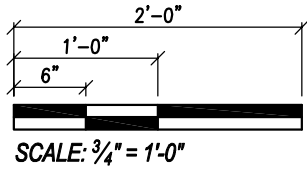


SPANCRETE

®

**SOLID FORM-CAST
WALL PANEL DETAILS
W/ THIN-BRICK**



*11 5/8" AVAILABLE W/ SPECIAL ORDER

SPANCRETE

Drafting & Engineering Offices
Waukesha, WI: 414-290-9000
Valders, WI: 920-775-4121

Sales Offices

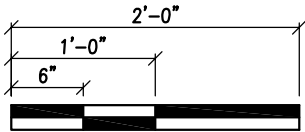
Waukesha, WI
414-290-9000

Green Bay, WI
920-494-0274

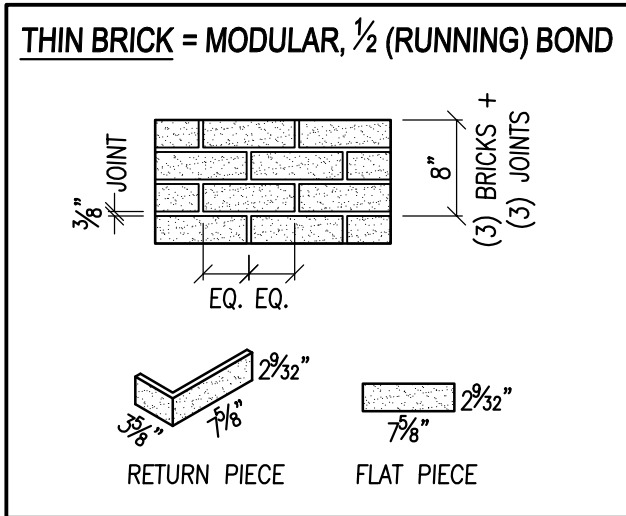
Arlington Heights, IL
847-879-2100

DETAIL NUMBER:

A-72



SCALE: $\frac{3}{4}'' = 1'-0''$



SWATCH



SPANCRETE

Drafting & Engineering Offices

Waukesha, WI: 414-290-9000
Valders, WI: 920-775-4121

Sales Offices

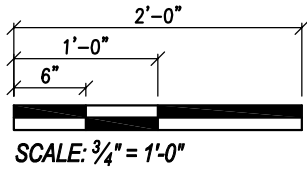
Waukesha, WI
414-290-9000

Green Bay, WI
920-494-0274

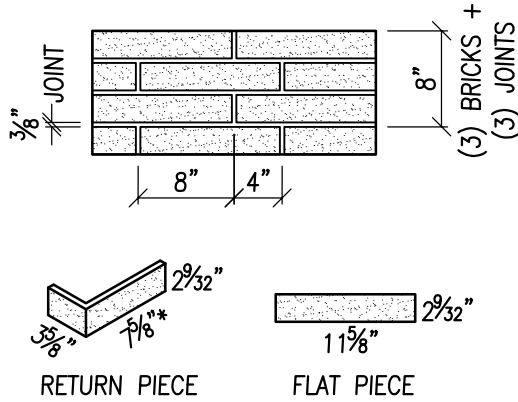
Arlington Heights, IL
847-879-2100

DETAIL NUMBER:

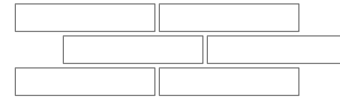
A-73



THIN BRICK = NORMAN, $\frac{1}{3}$ BOND

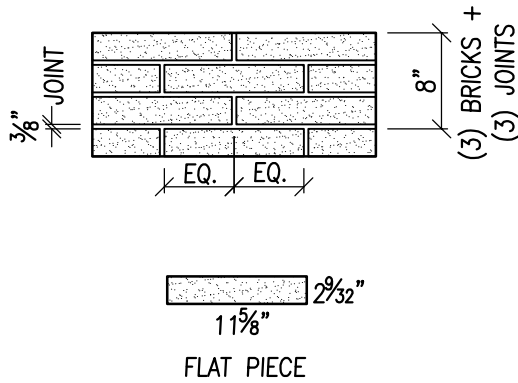


SWATCH



* $11\frac{5}{8}$ " AVAILABLE W/ SPECIAL ORDER

THIN BRICK = NORMAN, $\frac{1}{2}$ (RUNNING) BOND



SWATCH



SPANCRETE

Drafting & Engineering Offices
Waukesha, WI: 414-290-9000
Valders, WI: 920-775-4121

Sales Offices

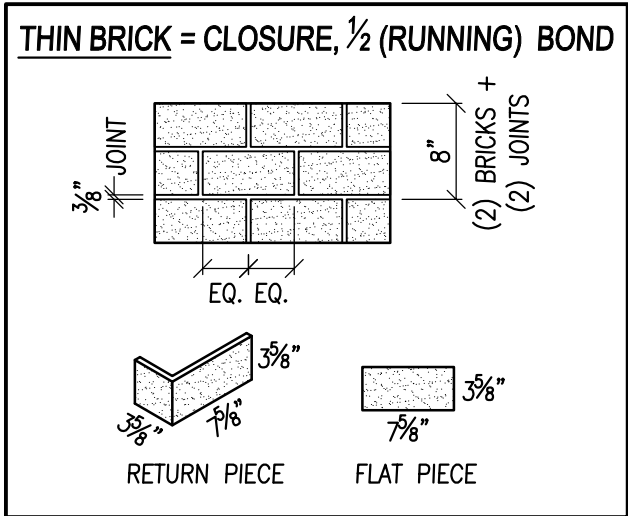
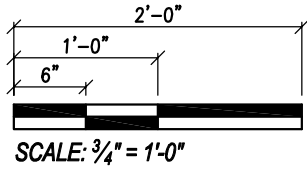
Waukesha, WI
414-290-9000

Green Bay, WI
920-494-0274

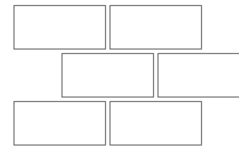
Arlington Heights, IL
847-879-2100

DETAIL NUMBER:

A-74



SWATCH



SPANCRETE

Drafting & Engineering Offices
Waukesha, WI: 414-290-9000
Valders, WI: 920-775-4121

Sales Offices

Waukesha, WI
414-290-9000

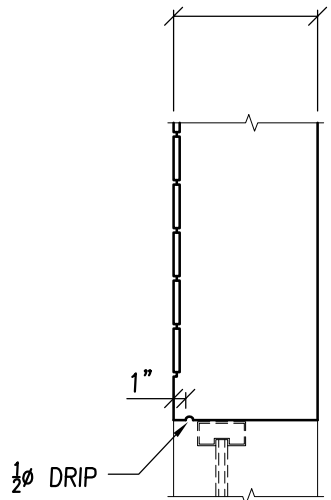
Green Bay, WI
920-494-0274

Arlington Heights, IL
847-879-2100

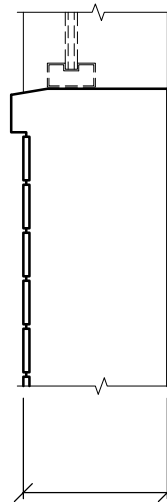
DETAIL NUMBER:

A-75

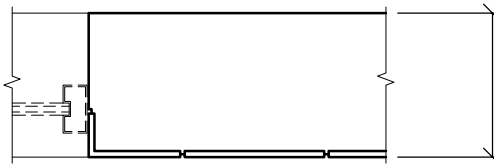
MISC. DETAILS – SHALLOW WINDOW/DOOR FRAMING



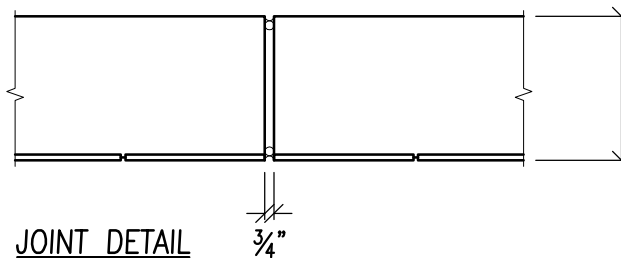
HEAD DETAIL



SILL DETAIL



JAMB DETAIL



JOINT DETAIL

SPANCRETE

Drafting & Engineering Offices

Waukesha, WI: 414-290-9000
Valders, WI: 920-775-4121

Sales Offices

Waukesha, WI
414-290-9000

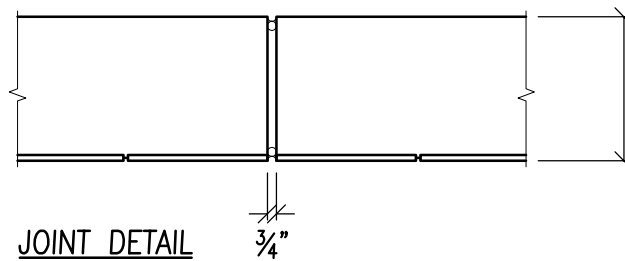
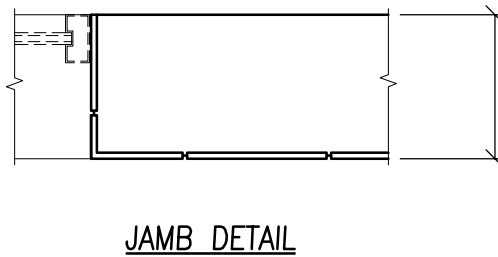
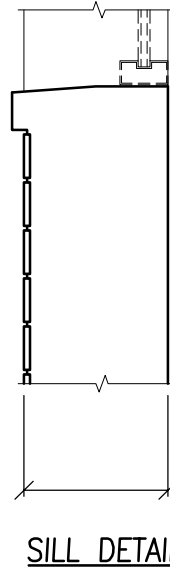
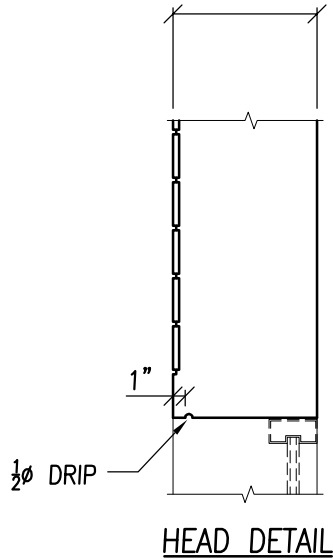
Green Bay, WI
920-494-0274

Arlington Heights, IL
847-879-2100

DETAIL NUMBER:

A-76

MISC. DETAILS – DEEP WINDOW/DOOR FRAMING



SPANCRETE

Drafting & Engineering Offices
Waukesha, WI: 414-290-9000
Valders, WI: 920-775-4121

Sales Offices

Waukesha, WI
414-290-9000

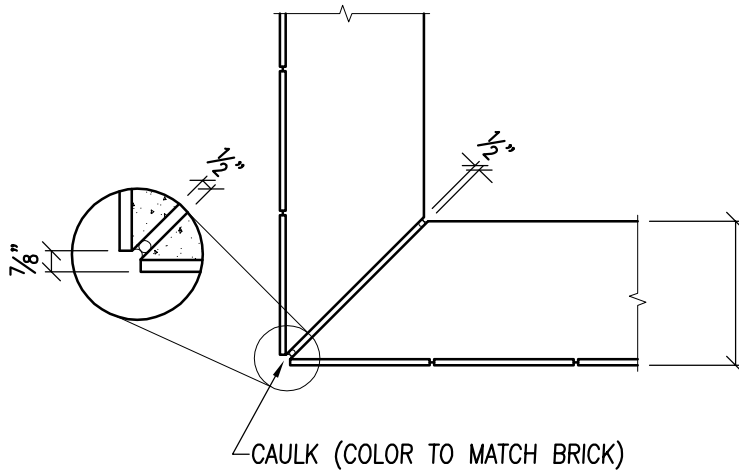
Green Bay, WI
920-494-0274

Arlington Heights, IL
847-879-2100

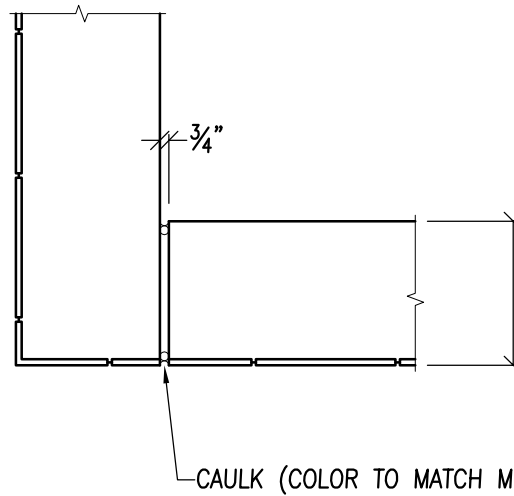
DETAIL NUMBER:

A-77

OUTSIDE CORNER OPTIONS



MITERED CORNER DETAIL



WRAPPED CORNER (BUTT JOINT) DETAIL

SPANCRETE

Drafting & Engineering Offices

Waukesha, WI: 414-290-9000
Valders, WI: 920-775-4121

Sales Offices

Waukesha, WI
414-290-9000

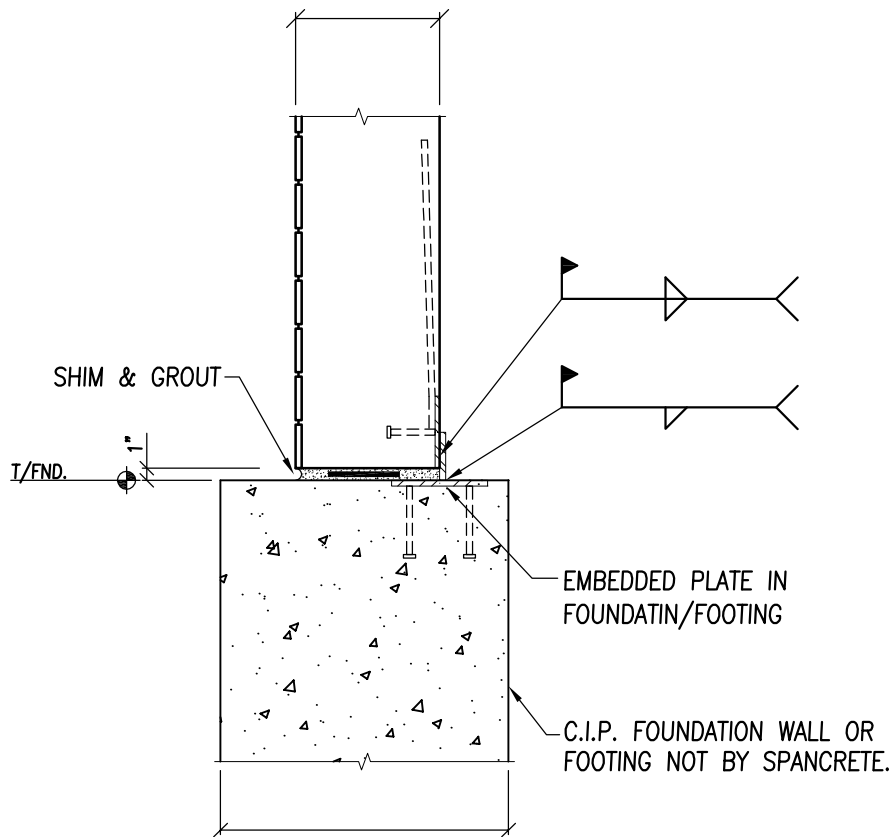
Green Bay, WI
920-494-0274

Arlington Heights, IL
847-879-2100

DETAIL NUMBER:

A-78

BASE CONNECTION



SPANCRETE

Drafting & Engineering Offices

Waukesha, WI: 414-290-9000
Valders, WI: 920-775-4121

Sales Offices

Waukesha, WI
414-290-9000

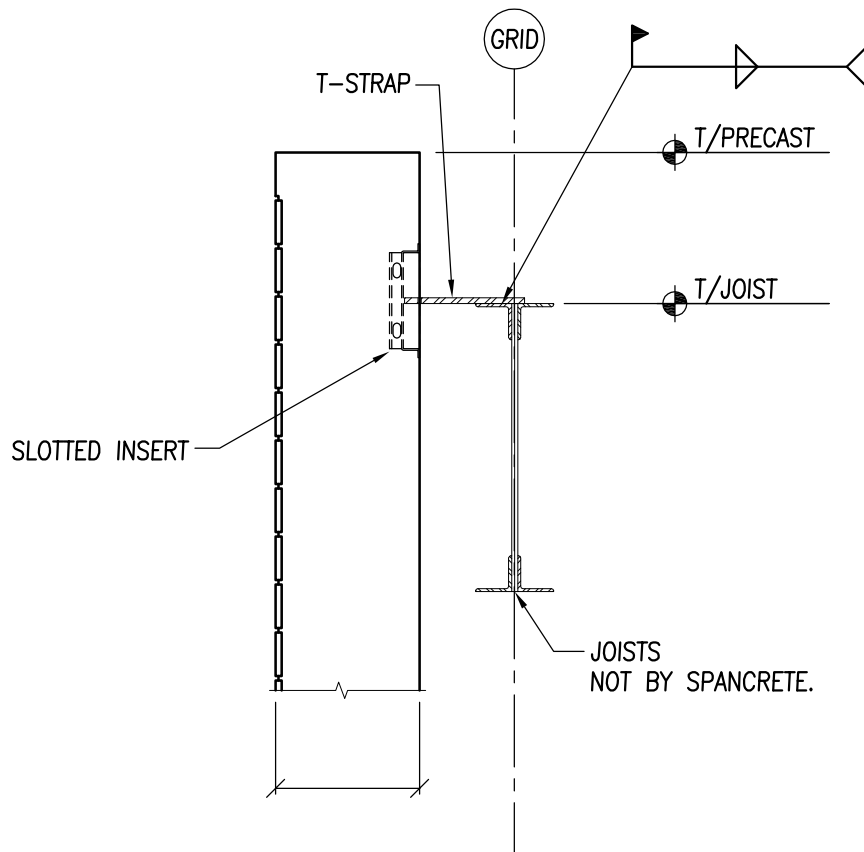
Green Bay, WI
920-494-0274

Arlington Heights, IL
847-879-2100

DETAIL NUMBER:

A-79

TIEBACK TO JOIST



SPANCRETE

Drafting & Engineering Offices
Waukesha, WI: 414-290-9000
Valders, WI: 920-775-4121

Sales Offices

Waukesha, WI
414-290-9000

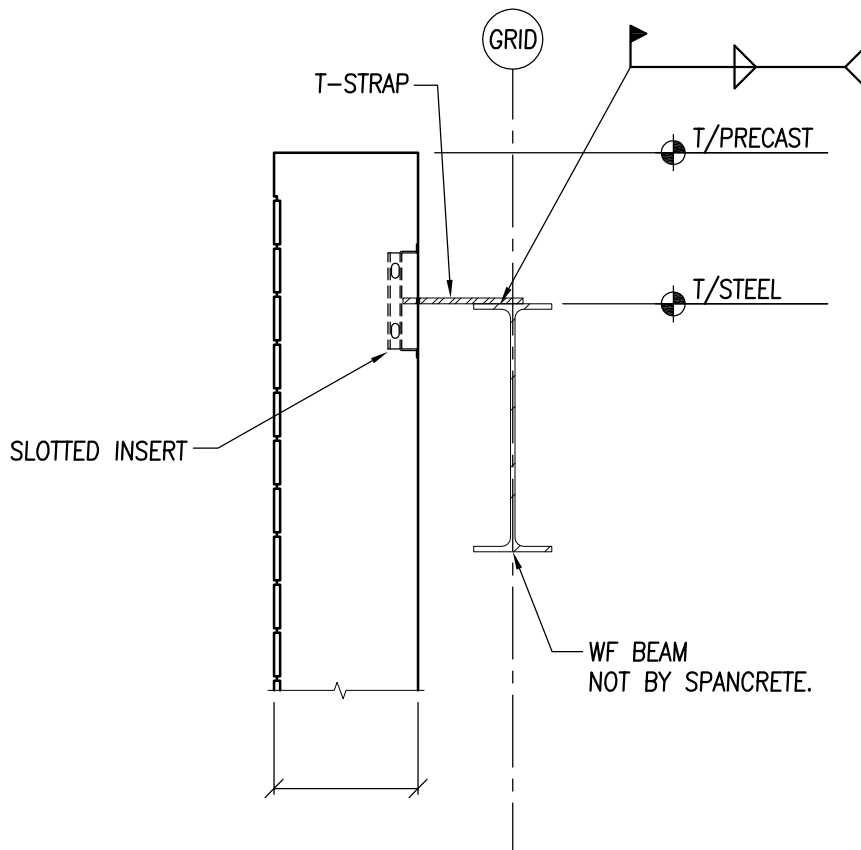
Green Bay, WI
920-494-0274

Arlington Heights, IL
847-879-2100

DETAIL NUMBER:

A-80

TIEBACK TO STEEL BEAM



SPANCRETE

Drafting & Engineering Offices

Waukesha, WI: 414-290-9000
Valders, WI: 920-775-4121

Sales Offices

Waukesha, WI
414-290-9000

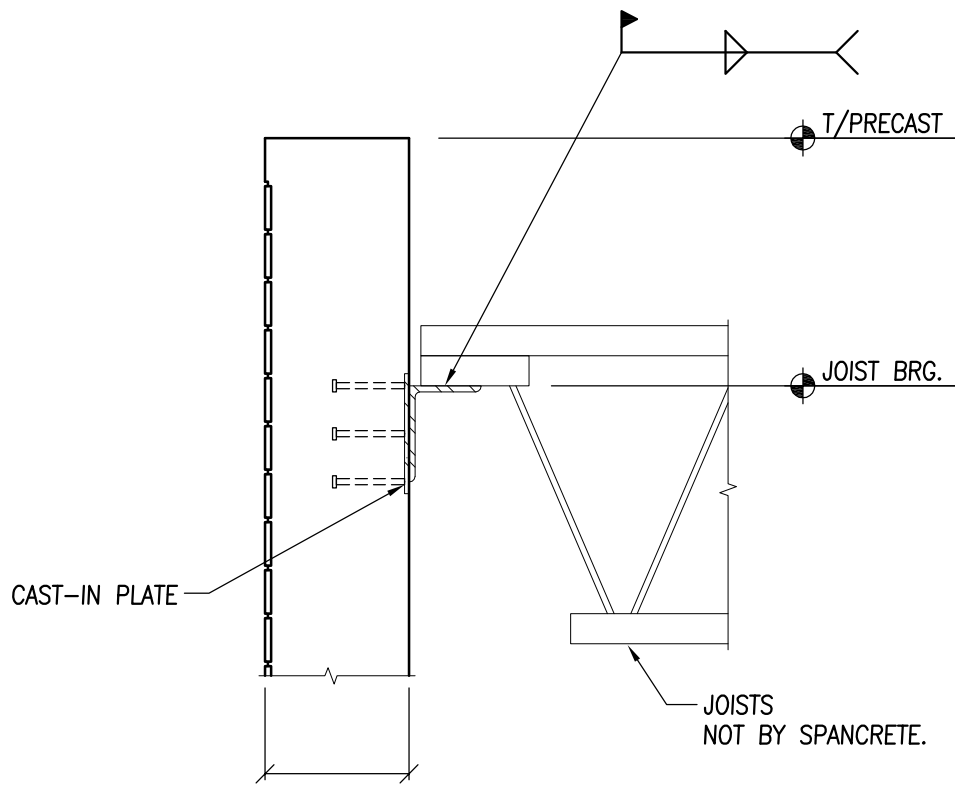
Green Bay, WI
920-494-0274

Arlington Heights, IL
847-879-2100

DETAIL NUMBER:

A-81

JOIST BEARING ON ANGLE



SPANCRETE

Drafting & Engineering Offices

Waukesha, WI: 414-290-9000
Valders, WI: 920-775-4121

Sales Offices

Waukesha, WI
414-290-9000

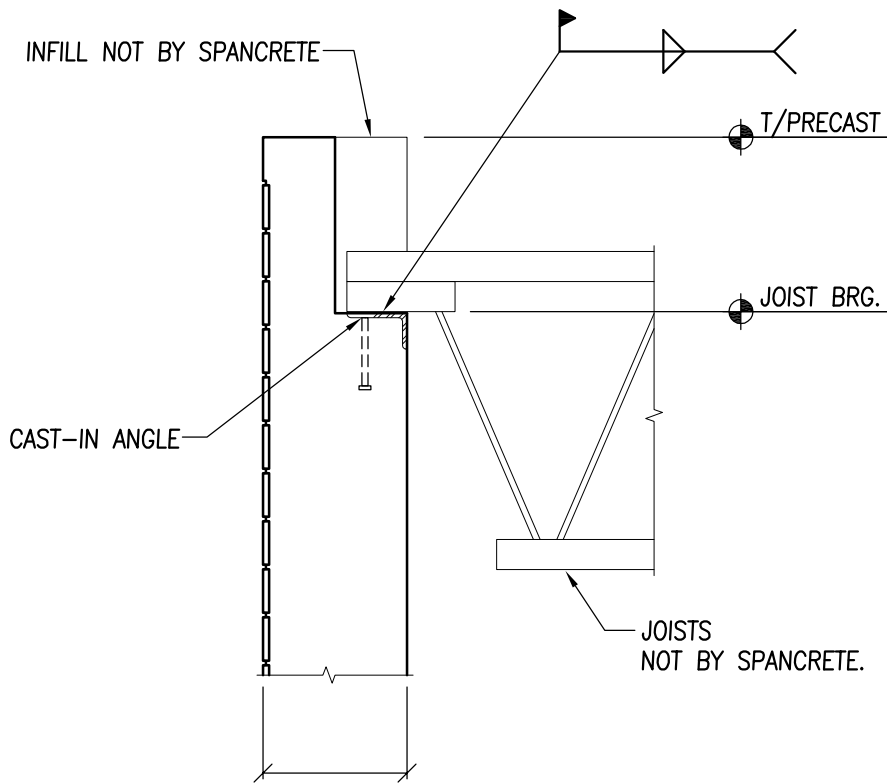
Green Bay, WI
920-494-0274

Arlington Heights, IL
847-879-2100

DETAIL NUMBER:

A-82

JOIST BEARING IN POCKET



SPANCRETE

Drafting & Engineering Offices

Waukesha, WI: 414-290-9000
Valders, WI: 920-775-4121

Sales Offices

Waukesha, WI
414-290-9000

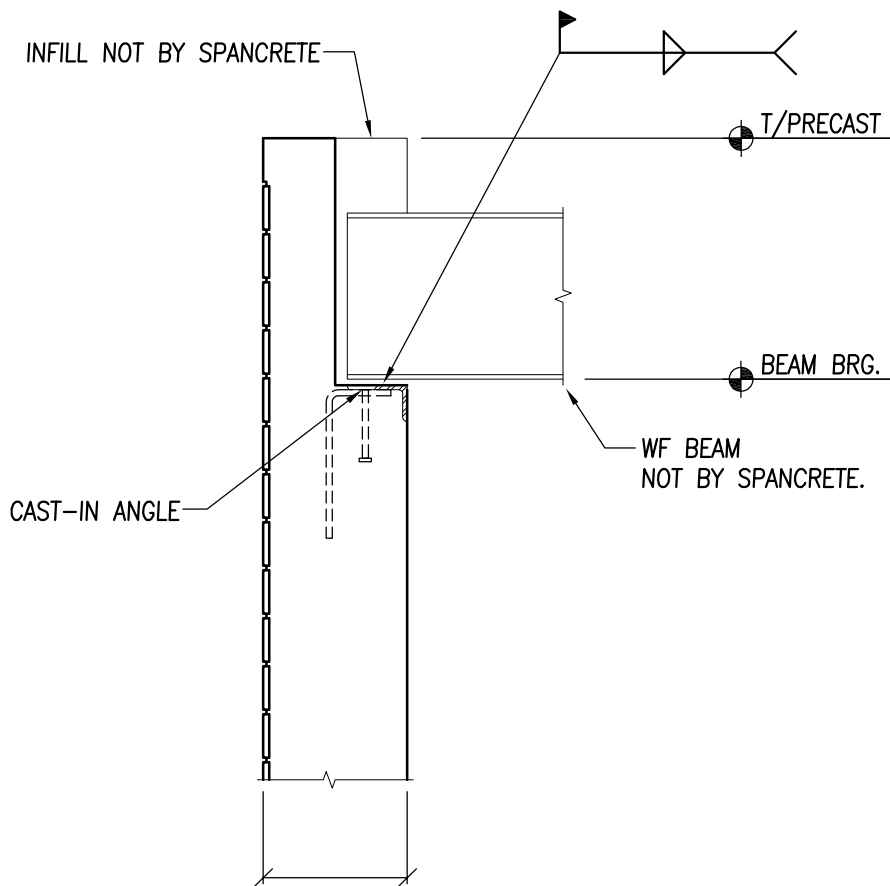
Green Bay, WI
920-494-0274

Arlington Heights, IL
847-879-2100

DETAIL NUMBER:

A-83

STEEL BEAM BEARING IN POCKET



SPANCRETE

Drafting & Engineering Offices
Waukesha, WI: 414-290-9000
Valders, WI: 920-775-4121

Sales Offices

Waukesha, WI
414-290-9000

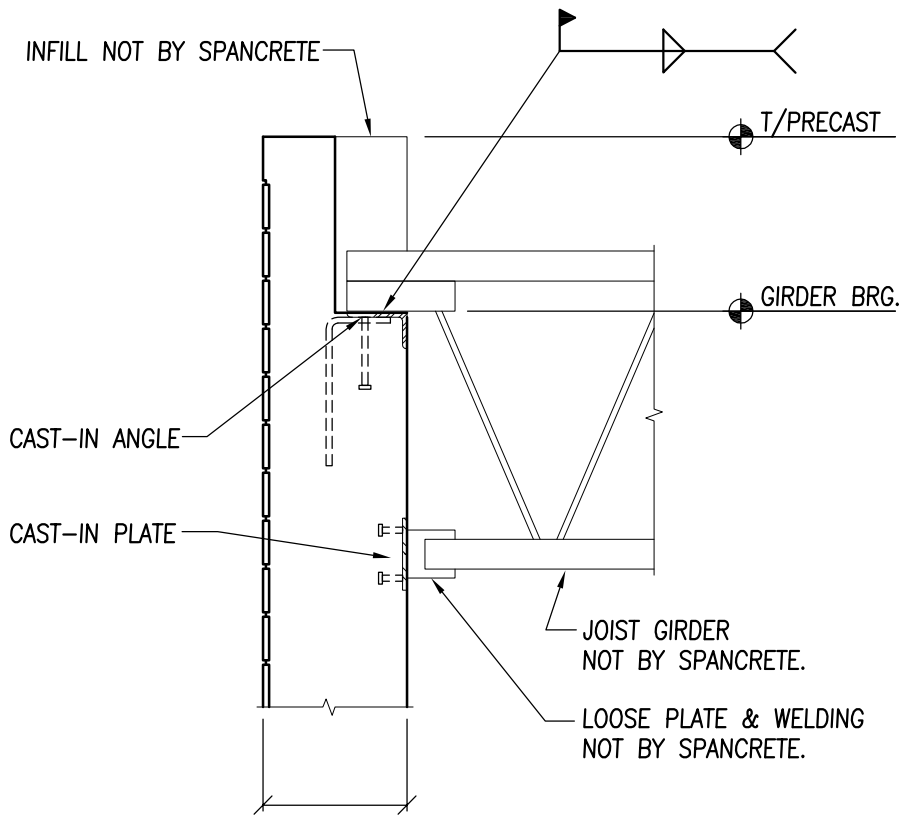
Green Bay, WI
920-494-0274

Arlington Heights, IL
847-879-2100

DETAIL NUMBER:

A-84

JOIST GIRDER BEARING IN POCKET



SPANCRETE

Drafting & Engineering Offices

Waukesha, WI: 414-290-9000
Valders, WI: 920-775-4121

Sales Offices

Waukesha, WI
414-290-9000

Green Bay, WI
920-494-0274

Arlington Heights, IL
847-879-2100

DETAIL NUMBER:

A-85

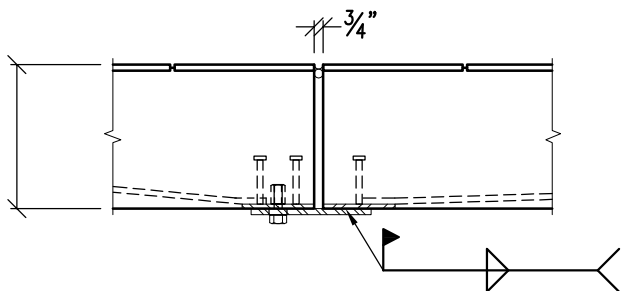
Formcast Wall Panels
W/ Thin-Brick Veneer

SUSPENDED PANEL @ OPENING

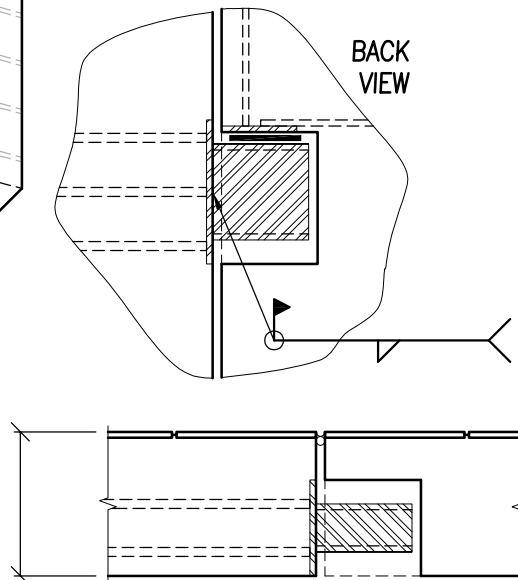
PANEL BEARING CONNECTION

PANEL BRACING CONNECTION

BACK VIEW



PANEL BRACING CONNECTION



PANEL BEARING CONNECTION

SPANCRETE

Drafting & Engineering Offices

Waukesha, WI: 414-290-9000
Valders, WI: 920-775-4121

Sales Offices

Waukesha, WI
414-290-9000

Green Bay, WI
920-494-0274

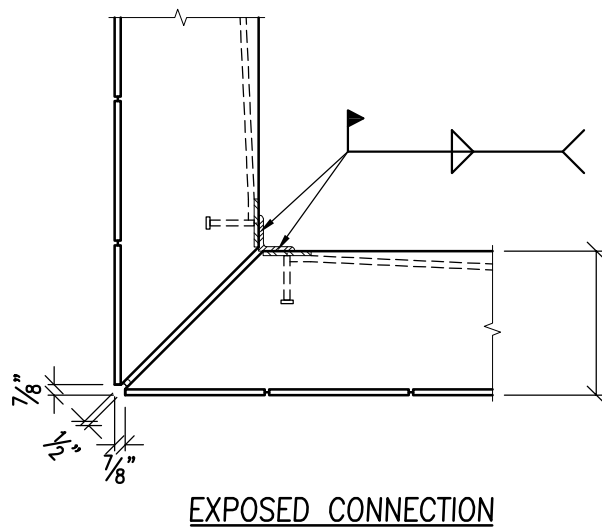
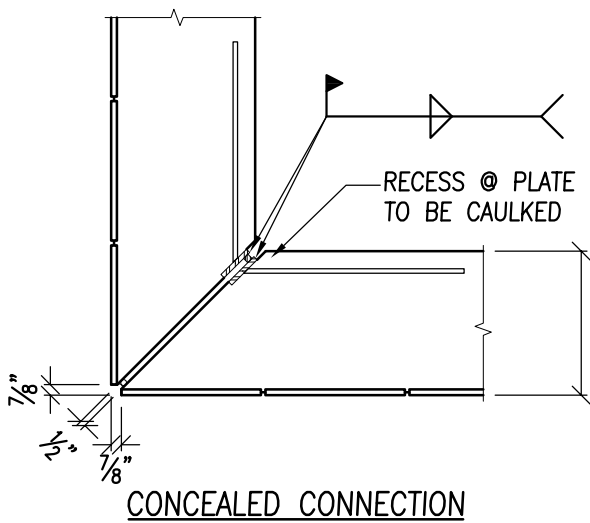
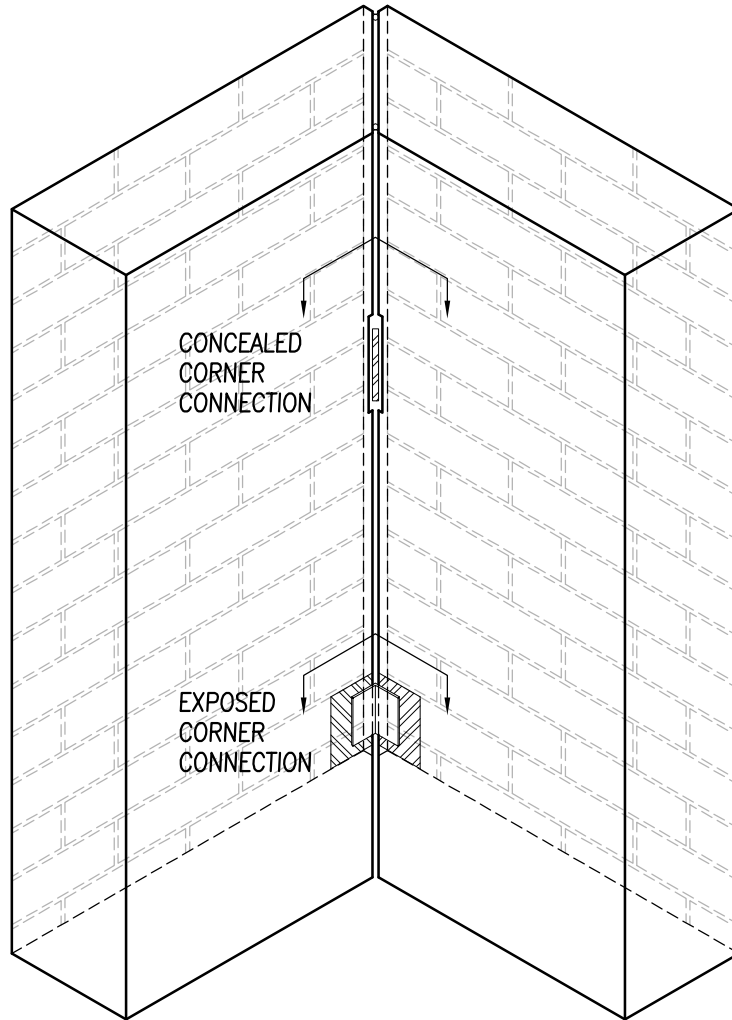
Arlington Heights, IL
847-879-2100

DETAIL NUMBER:

A-86

MITERED CORNER DETAIL (FROM INSIDE)

*Formcast Wall Panels
W/ Thin-Brick Veneer*



SPANCRETE

Drafting & Engineering Offices

Waukesha, WI: 414-290-9000
Valders, WI: 920-775-4121

Sales Offices

Waukesha, WI
414-290-9000

Green Bay, WI
920-494-0274

Arlington Heights, IL
847-879-2100

DETAIL NUMBER:

A-87