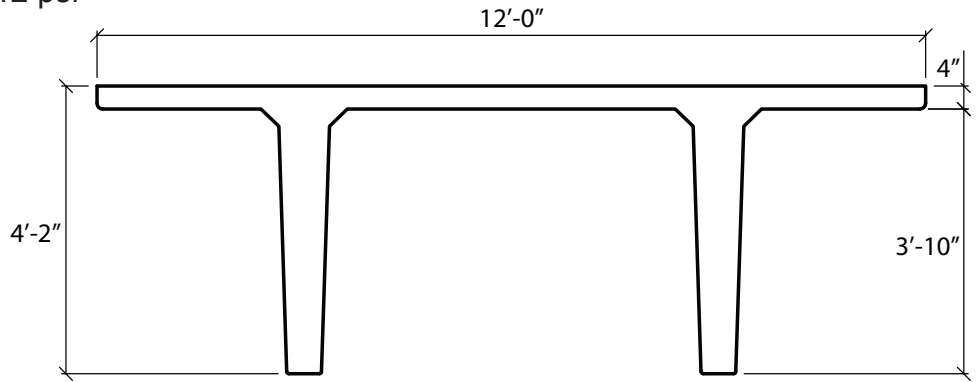


12'-0" x 50" PreTopped Double Tees

Dead Load Weight of Tee = 112 psf



Section Properties	
A=1294 in. ²	Yt=14.69 in.
I=296.757 in. ⁴	Yb=35.31 in.

ØM _n ft-K	2397	2756	3113	3451	3787	4104	4420	4716
Strands	12-0.6"Ø	14-0.6"Ø	16-0.6"Ø	18-0.6"Ø	20-0.6"Ø	22-0.6"Ø	24-0.6"Ø	26-0.6"Ø
Span in Feet	Allowable Superimposed Load in Pounds Per Square Foot							
68	132	164	197	227				
70	120	150	181	210	238			
72	109	138	166	193	220	246		
74	98	126	153	179	204	228	241	
76	89	115	141	165	189	212	224	
78	80	105	129	152	175	197	209	219
80	72	95	119	141	163	183	195	205
82	65	87	109	130	151	170	182	192
84	58	79	100	120	140	158	170	179
86	51	71	91	110	129	147	159	168
88	45	64	84	102	120	137	148	157
90		58	76	94	111	127	139	147
92		52	69	86	102	118	129	137
94		46	63	79	95	110	121	128
96		41	57	72	87	102	113	120
98			51	66	80	94	105	112
100			46	60	74	87	98	105
102			41	54	68	80	91	98
104				49	62	74	85	91
106				44	56	68	79	85
108					51	63	73	79
110					47	57	68	74
112					42	52	63	69
114						48	58	64
116						43	53	59
118							48	55
120							44	50
122								46
124								43

Camber
 1"-2"
 ≥ 2"

Load Tables are presented as guidelines only. Design requirements must be reviewed by the engineer of record for each specific project.
 Spancrete | P.O. Box 828 | Waukesha, WI 53187 | 414-290-9000 | www.spancrete.com