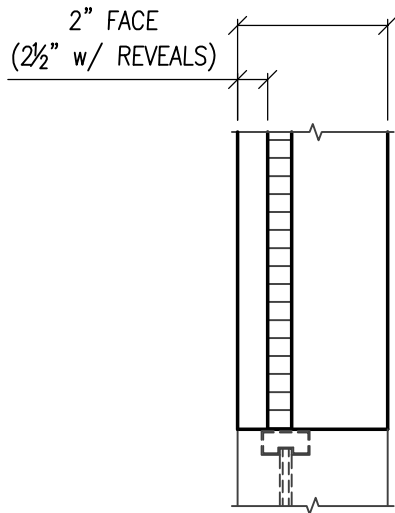


SPANCRETE

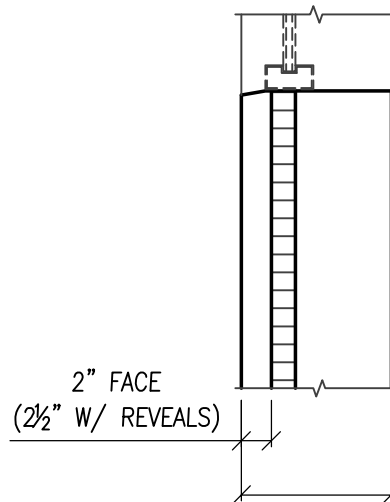
®

**FORMCAST WALL PANEL
DETAILS
(NON-COMPOSITE)**

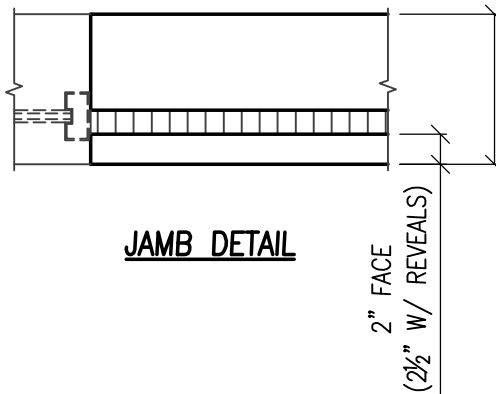
MISC. DETAILS – SHALLOW WINDOW/DOOR FRAMING



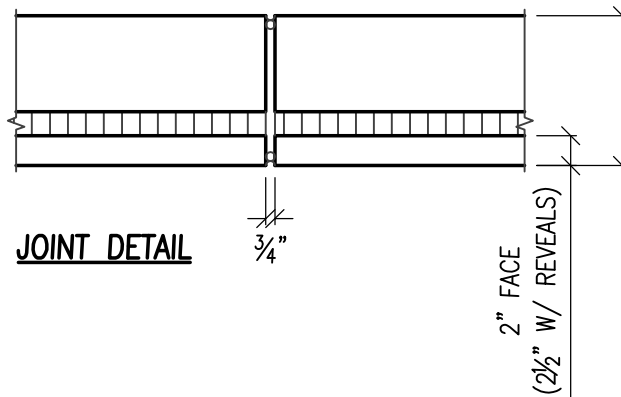
HEAD DETAIL



SILL DETAIL



JAMB DETAIL



JOINT DETAIL

SPANCRETE

Drafting & Engineering Offices

Waukesha, WI: 414-290-9000
Valders, WI: 920-775-4121

Sales Offices

Waukesha, WI
414-290-9000

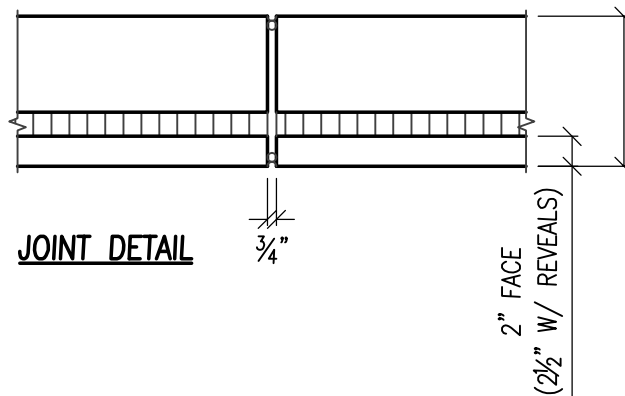
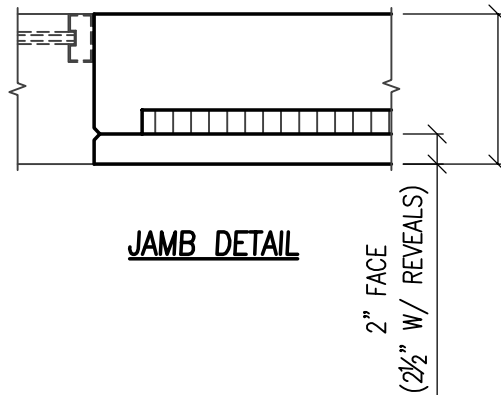
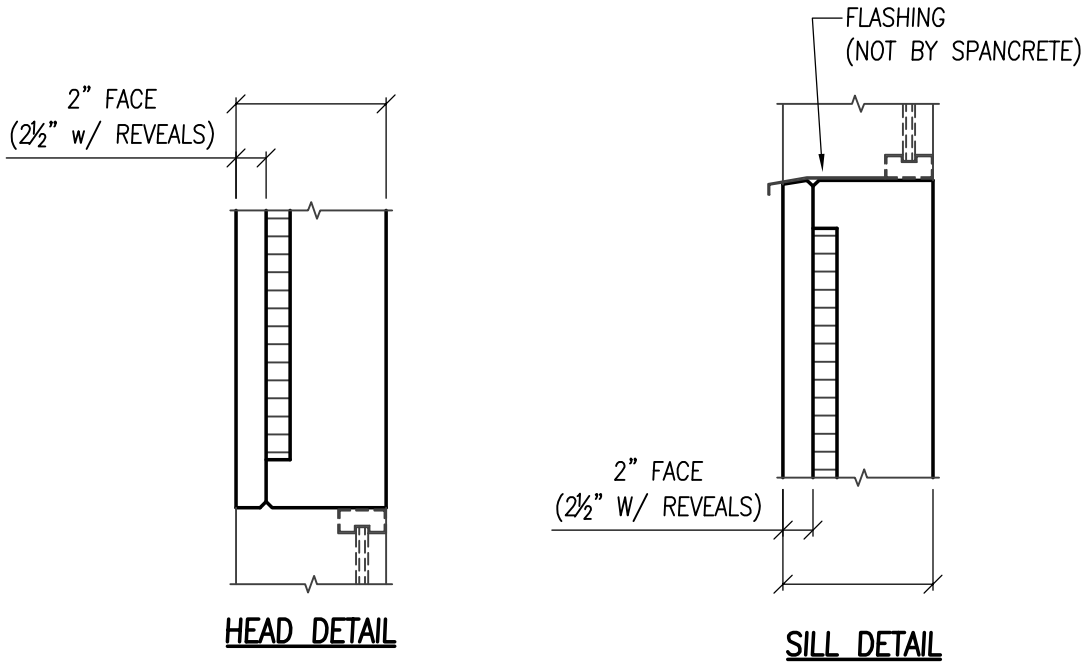
Green Bay, WI
920-494-0274

Arlington Heights, IL
847-879-2100

DETAIL NUMBER:

A-30

MISC. DETAILS – DEEP WINDOW/DOOR FRAMING



SPANCRETE

Drafting & Engineering Offices

Waukesha, WI: 414-290-9000
Valders, WI: 920-775-4121

Sales Offices

Waukesha, WI
414-290-9000

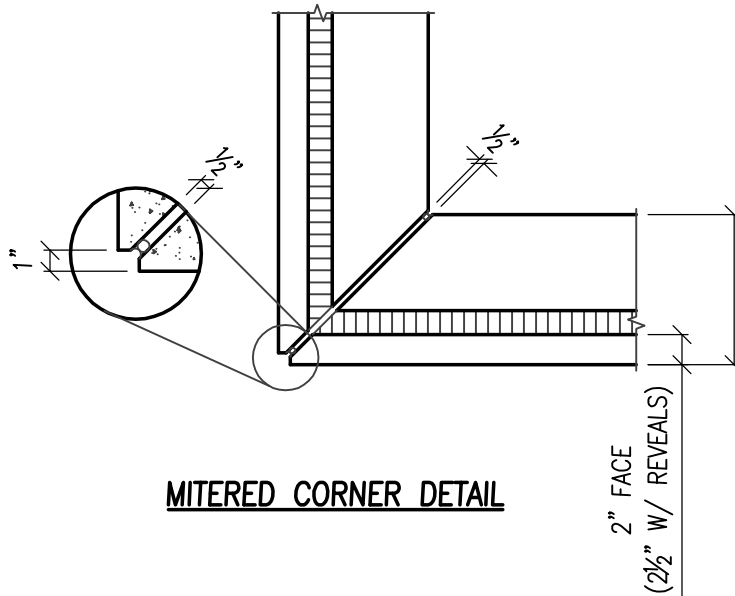
Green Bay, WI
920-494-0274

Arlington Heights, IL
847-879-2100

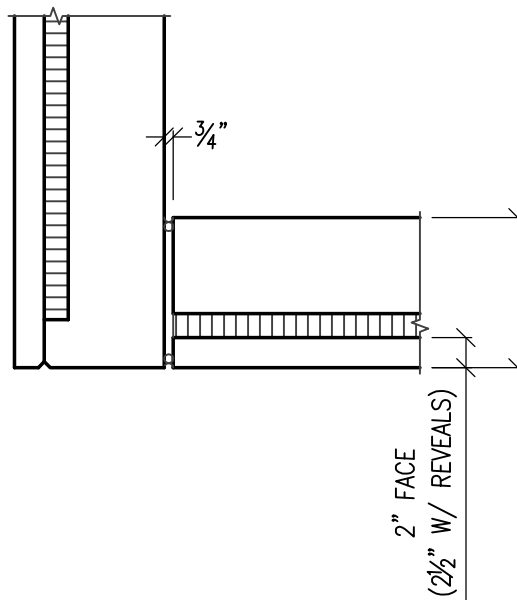
DETAIL NUMBER:

A-31

OUTSIDE CORNER OPTIONS



MITERED CORNER DETAIL



WRAPPED CORNER (BUTT JOINT) DETAIL

SPANCRETE

Drafting & Engineering Offices

Waukesha, WI: 414-290-9000
Valders, WI: 920-775-4121

Sales Offices

Waukesha, WI
414-290-9000

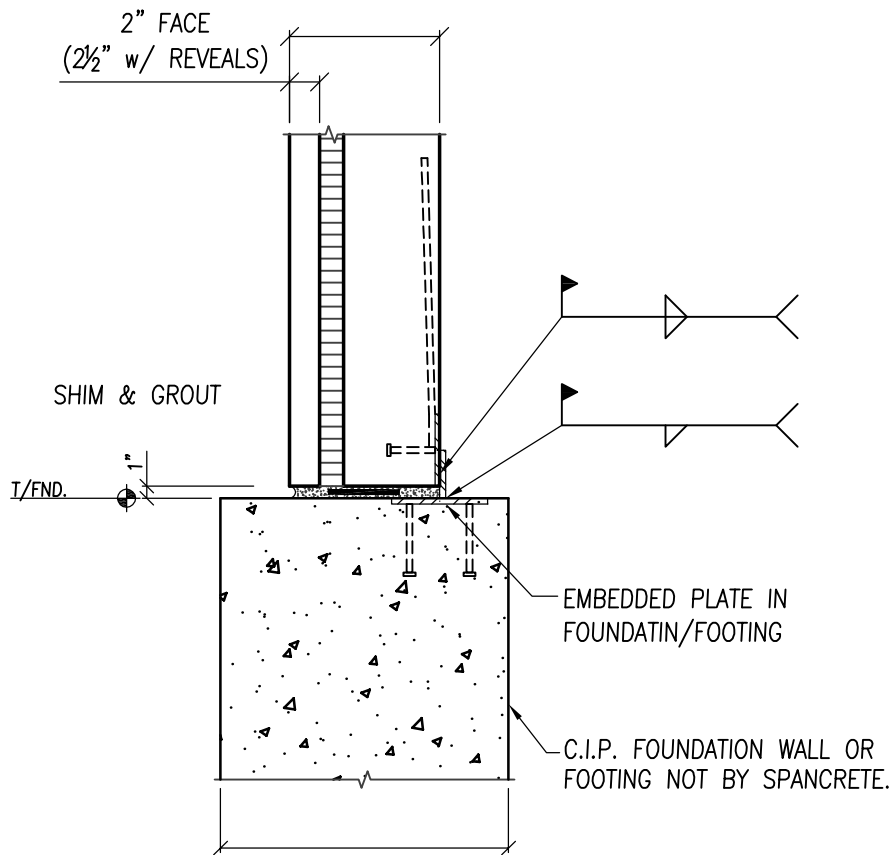
Green Bay, WI
920-494-0274

Arlington Heights, IL
847-879-2100

DETAIL NUMBER:

A-32

BASE CONNECTION



SPANCRETE

Drafting & Engineering Offices

Waukesha, WI: 414-290-9000
Valders, WI: 920-775-4121

Sales Offices

Waukesha, WI
414-290-9000

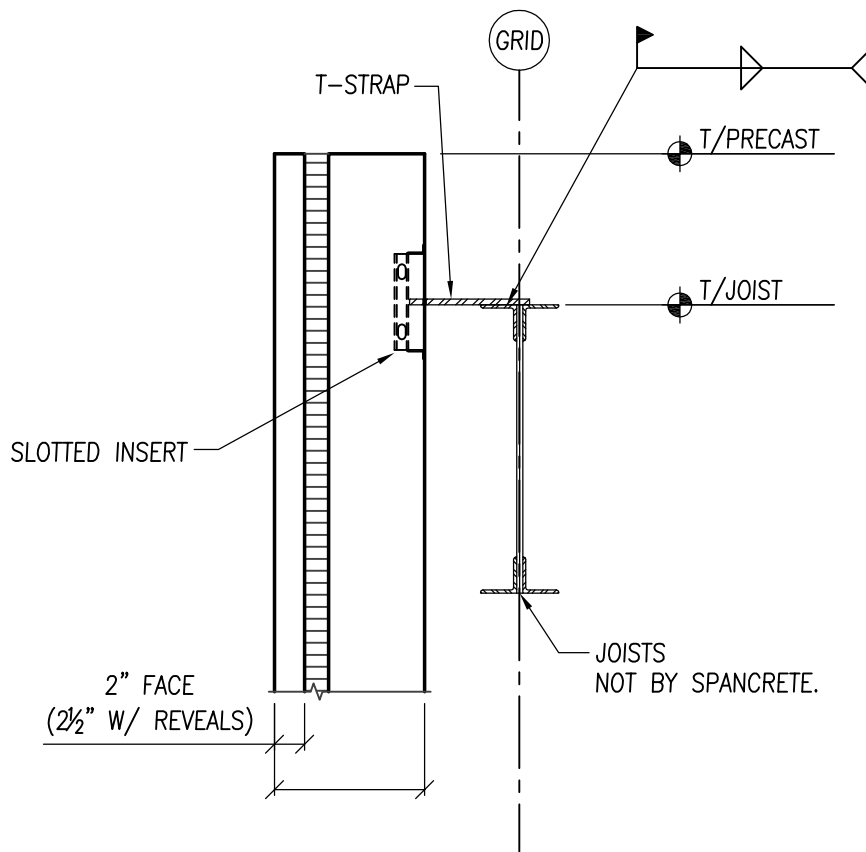
Green Bay, WI
920-494-0274

Arlington Heights, IL
847-879-2100

DETAIL NUMBER:

A-33

TIEBACK TO JOIST



SPANCRETE

Drafting & Engineering Offices

Waukesha, WI: 414-290-9000
Valders, WI: 920-775-4121

Sales Offices

Waukesha, WI
414-290-9000

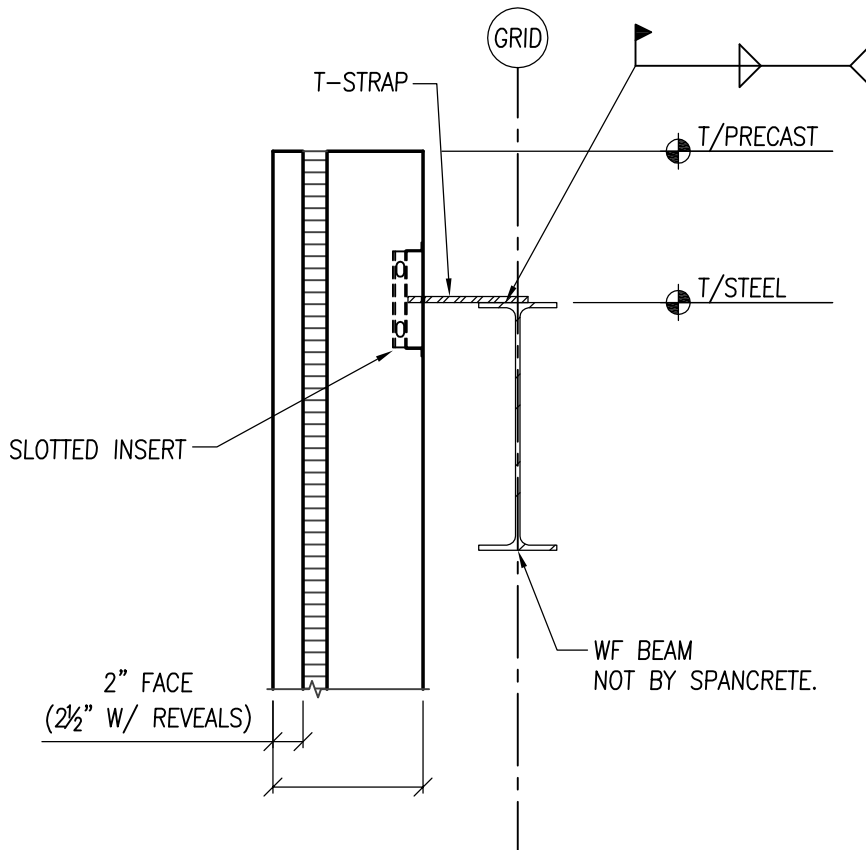
Green Bay, WI
920-494-0274

Arlington Heights, IL
847-879-2100

DETAIL NUMBER:

A-34

TIEBACK TO STEEL BEAM



SPANCRETE

Drafting & Engineering Offices

Waukesha, WI: 414-290-9000
Valders, WI: 920-775-4121

Sales Offices

Waukesha, WI
414-290-9000

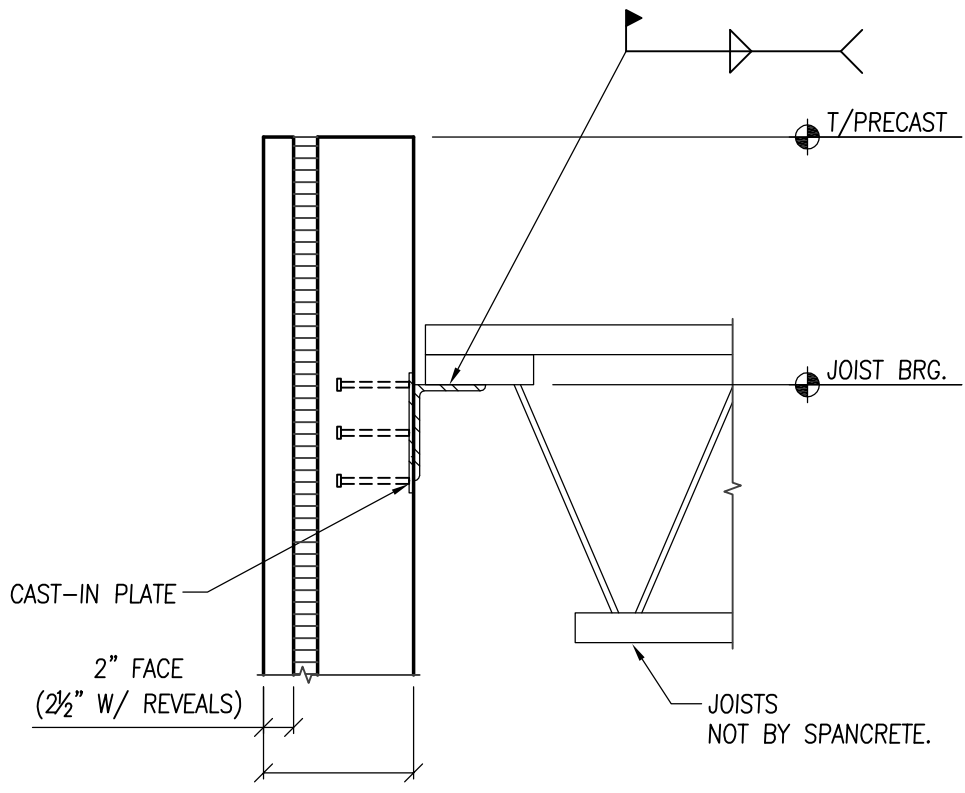
Green Bay, WI
920-494-0274

Arlington Heights, IL
847-879-2100

DETAIL NUMBER:

A-35

JOIST BEARING ON ANGLE



SPANCRETE

Drafting & Engineering Offices
Waukesha, WI: 414-290-9000
Valders, WI: 920-775-4121

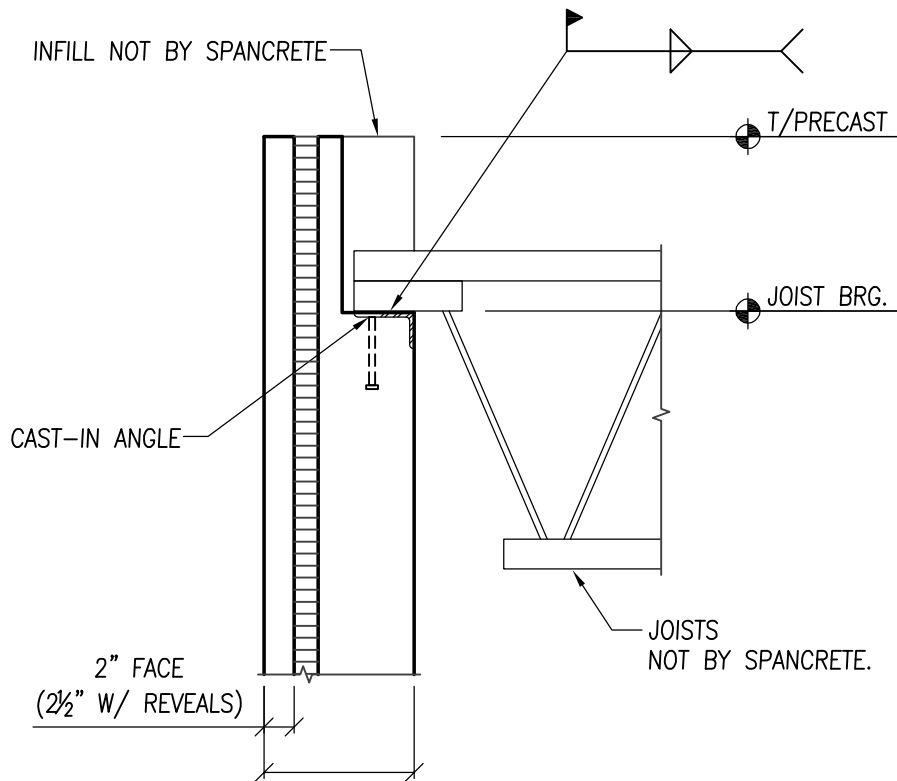
Sales Offices

Waukesha, WI 414-290-9000
Green Bay, WI 920-494-0274
Arlington Heights, IL 847-879-2100

DETAIL NUMBER:

A-36

JOIST BEARING IN POCKET



SPANCRETE

Drafting & Engineering Offices

Waukesha, WI: 414-290-9000
Valders, WI: 920-775-4121

Sales Offices

Waukesha, WI
414-290-9000

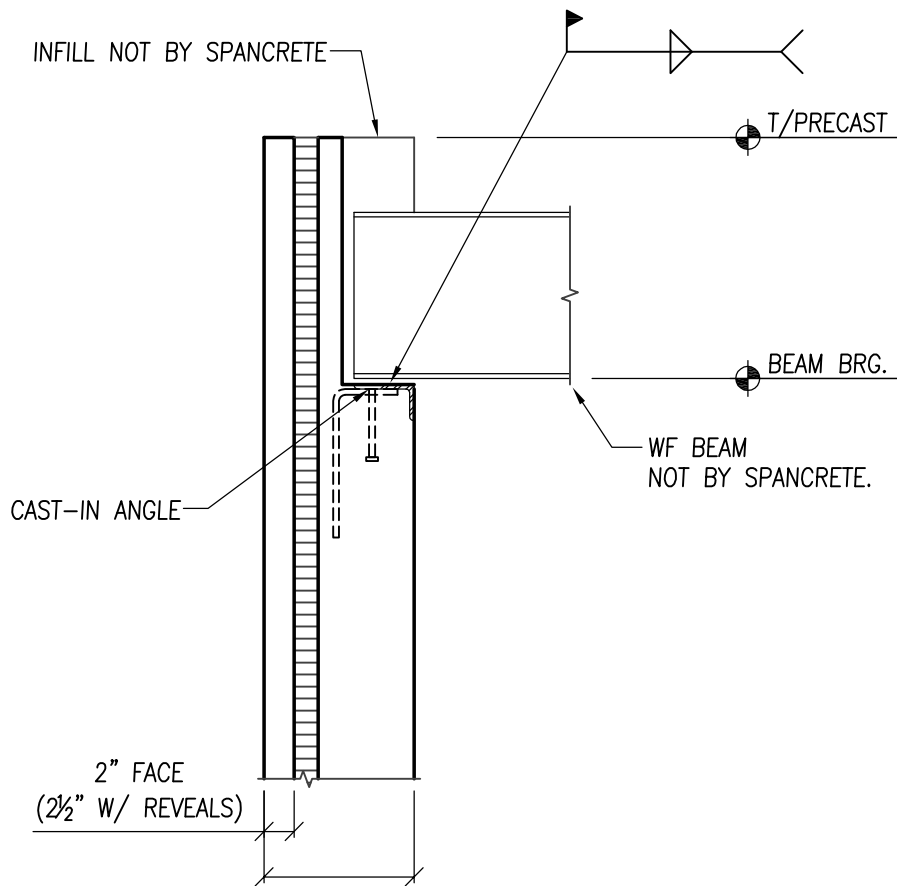
Green Bay, WI
920-494-0274

Arlington Heights, IL
847-879-2100

DETAIL NUMBER:

A-37

STEEL BEAM BEARING IN POCKET



SPANCRETE

Drafting & Engineering Offices

Waukesha, WI: 414-290-9000
Valders, WI: 920-775-4121

Sales Offices

Waukesha, WI
414-290-9000

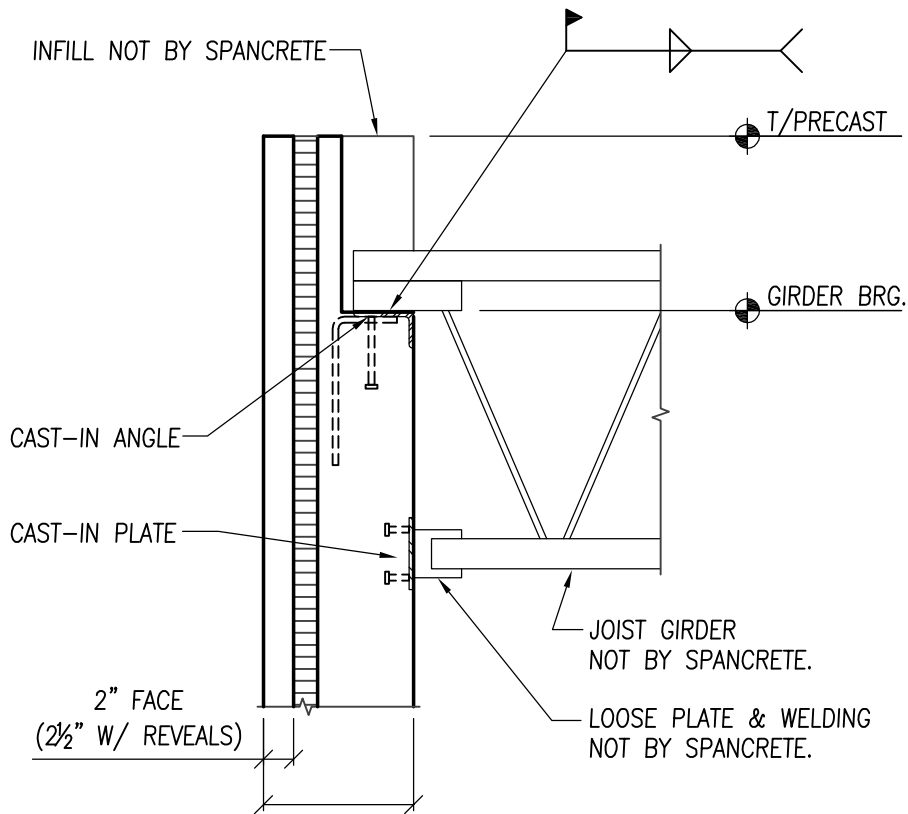
Green Bay, WI
920-494-0274

Arlington Heights, IL
847-879-2100

DETAIL NUMBER:

A-38

JOIST GIRDER BEARING IN POCKET



SPANCRETE

Drafting & Engineering Offices

Waukesha, WI: 414-290-9000
Valders, WI: 920-775-4121

Sales Offices

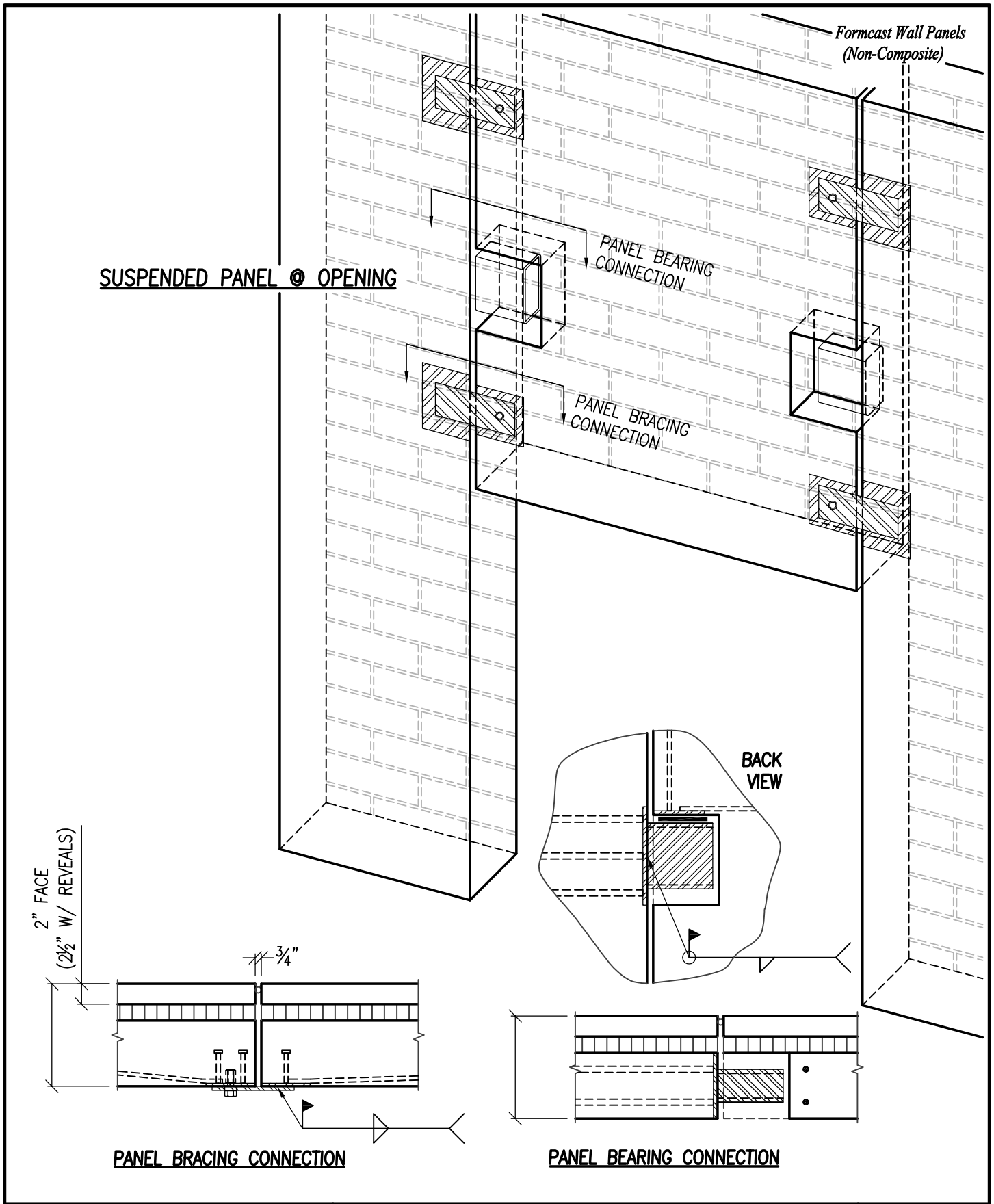
Waukesha, WI
414-290-9000

Green Bay, WI
920-494-0274

Arlington Heights, IL
847-879-2100

DETAIL NUMBER:

A-39



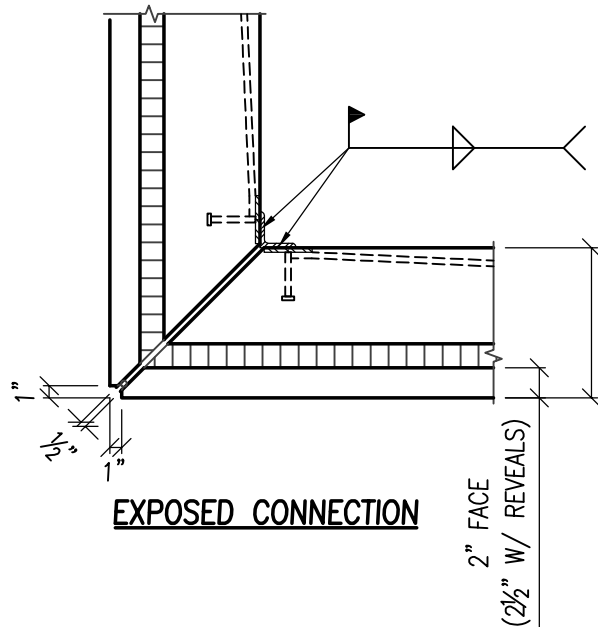
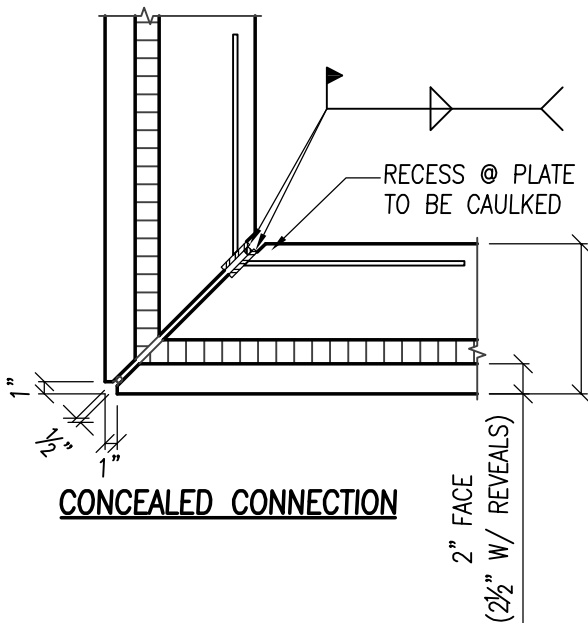
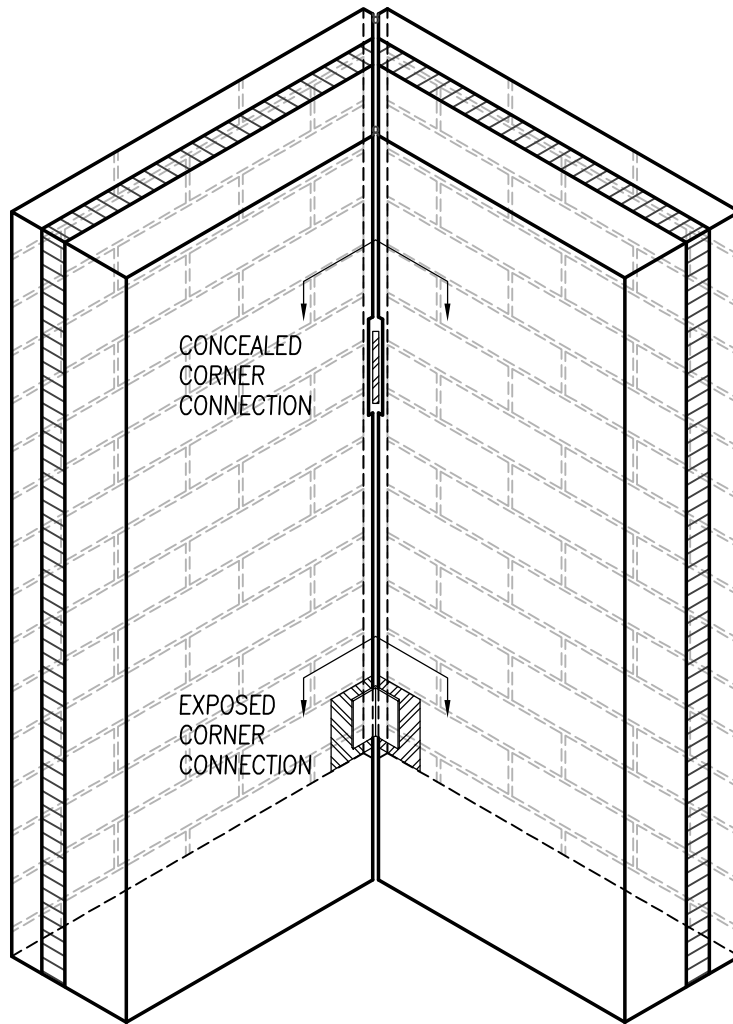
SPANCRETE
 Drafting & Engineering Offices
 Waukesha, WI: 414-290-9000
 Valders, WI: 920-775-4121

Sales Offices
 Waukesha, WI 414-290-9000
 Green Bay, WI 920-494-0274
 Arlington Heights, IL 847-879-2100

DETAIL NUMBER:
A-40

MITERED CORNER DETAIL (FROM INSIDE)

*Formcast Wall Panels
(Non-Composite)*



SPANCRETE

Drafting & Engineering Offices

Waukesha, WI: 414-290-9000
Valders, WI: 920-775-4121

Sales Offices

Waukesha, WI
414-290-9000

Green Bay, WI
920-494-0274

Arlington Heights, IL
847-879-2100

DETAIL NUMBER:

A-41