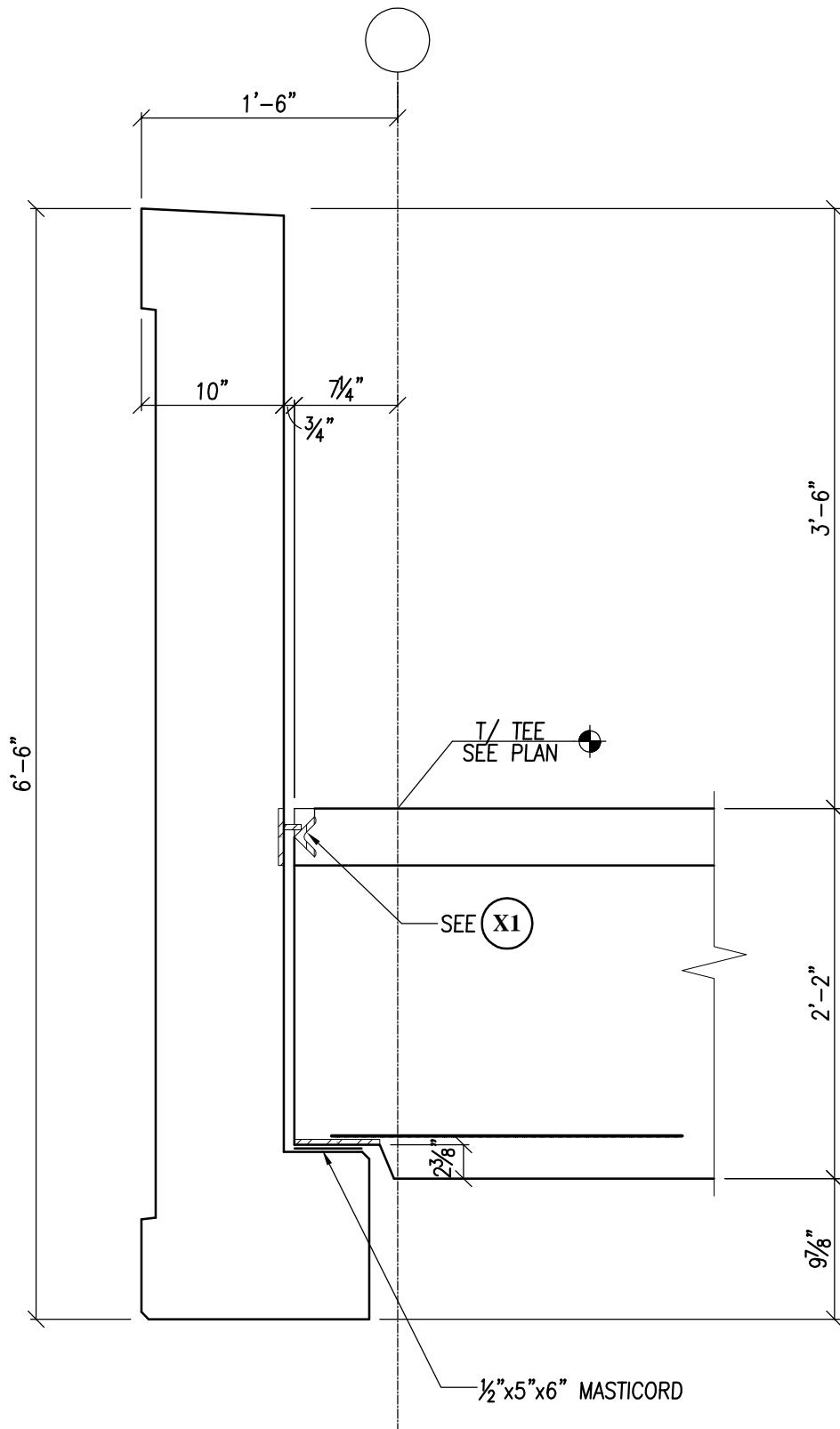


SPANCRETE

®

**PRE-TOPPED
DOUBLE TEE DETAILS**



SPANCRETE

Drafting & Engineering Offices

Waukesha, WI: 414-290-9000
 Valders, WI: 920-775-4121

Sales Offices

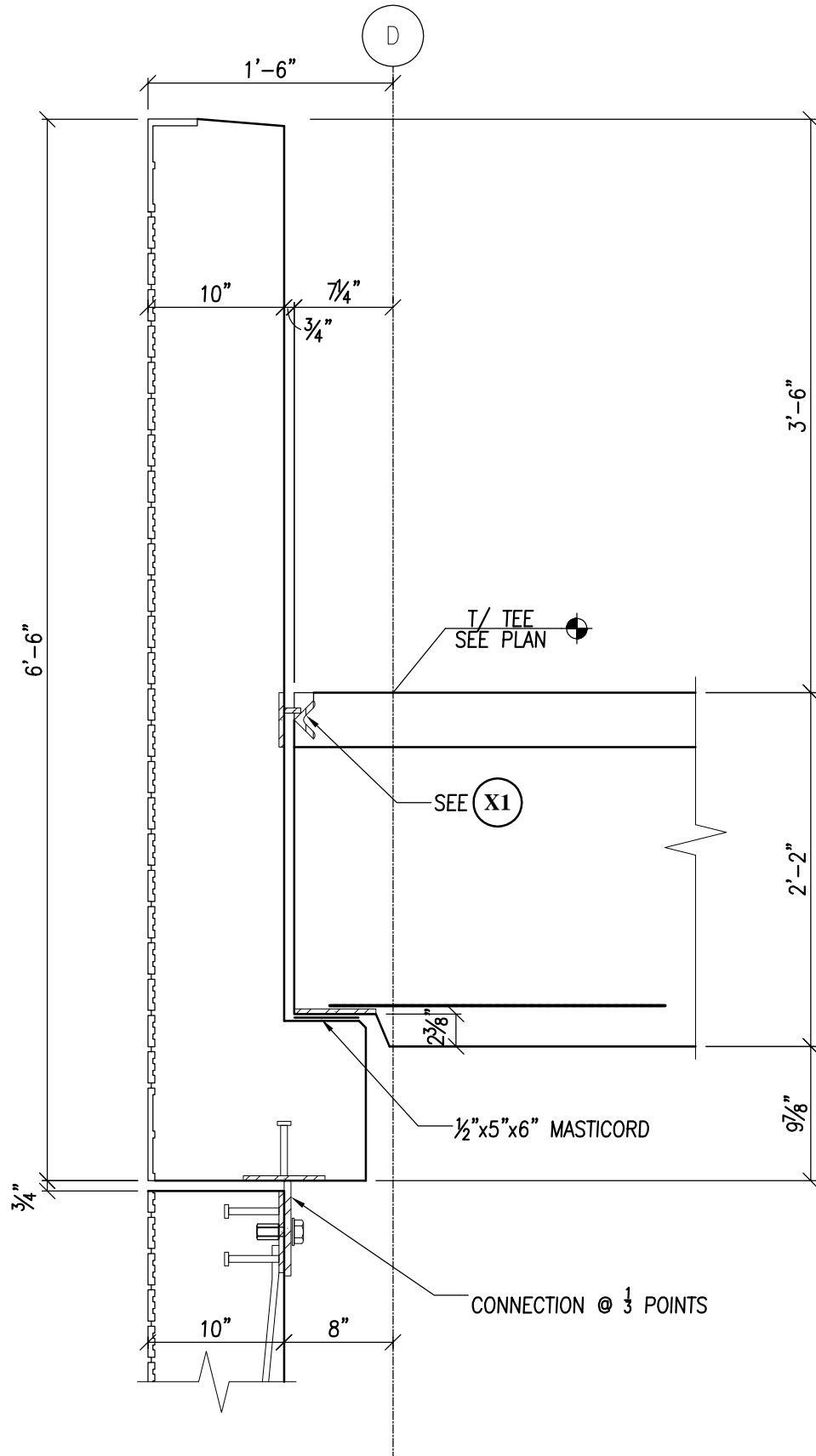
Waukesha, WI
 414-290-9000

Green Bay, WI
 920-494-0274

Arlington Heights, IL
 847-879-2100

DETAIL NUMBER:

PT-1



SPANCRETE

Drafting & Engineering Offices
 Waukesha, WI: 414-290-9000
 Valders, WI: 920-775-4121

Sales Offices

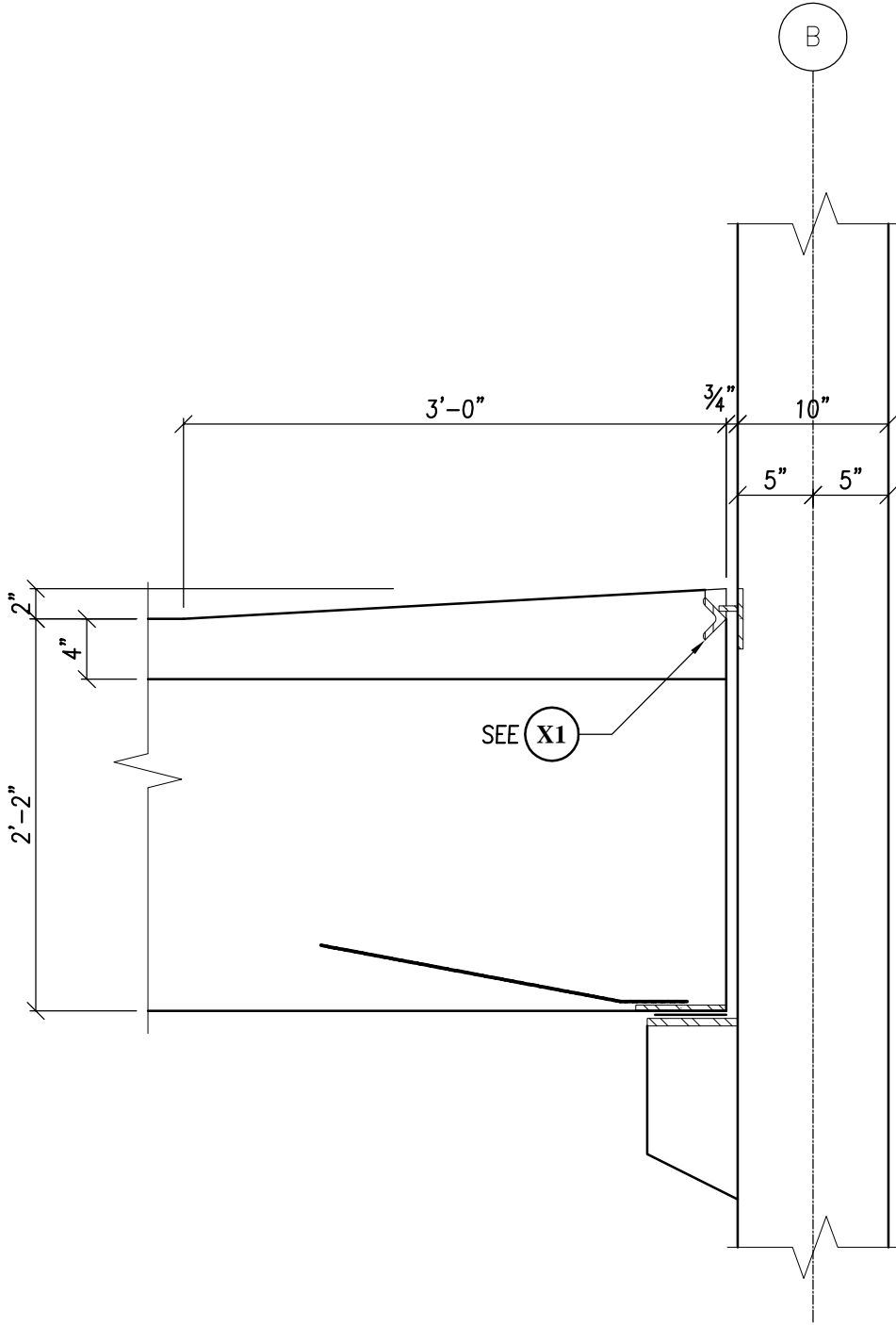
Waukesha, WI
 414-290-9000

Green Bay, WI
 920-494-0274

Arlington Heights, IL
 847-879-2100

DETAIL NUMBER:

PT-2



SPANCRETE

Drafting & Engineering Offices
 Waukesha, WI: 414-290-9000
 Valders, WI: 920-775-4121

Sales Offices

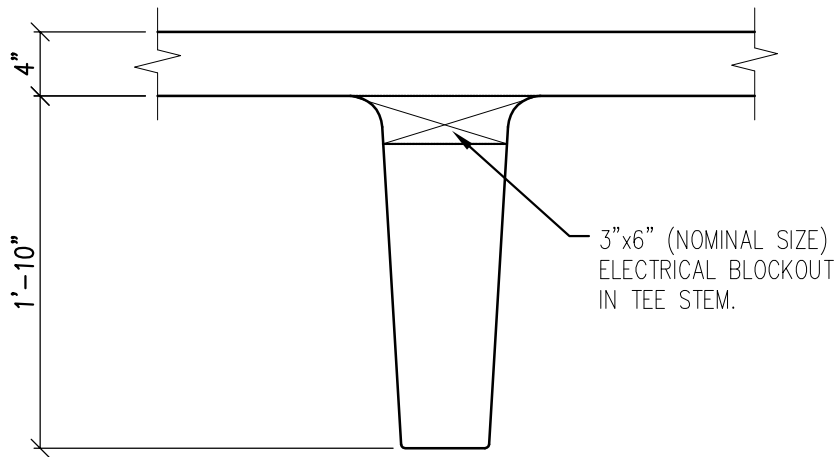
Waukesha, WI
 414-290-9000

Green Bay, WI
 920-494-0274

Arlington Heights, IL
 847-879-2100

DETAIL NUMBER:

PT-4



SPANCRETE

Drafting & Engineering Offices

Waukesha, WI: 414-290-9000
Valders, WI: 920-775-4121

Sales Offices

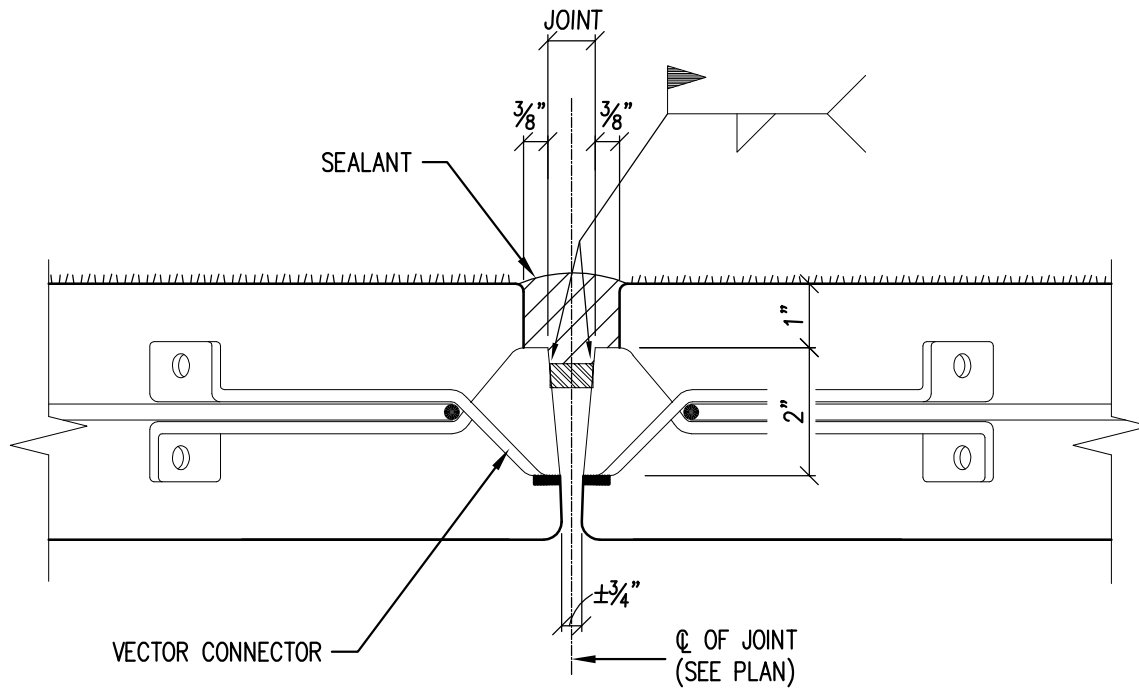
Waukesha, WI
414-290-9000

Green Bay, WI
920-494-0274

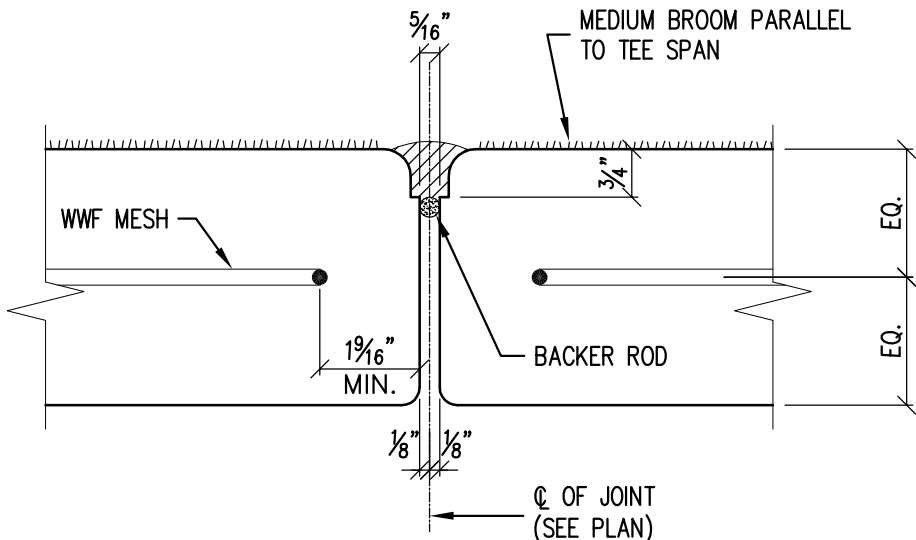
Arlington Heights, IL
847-879-2100

DETAIL NUMBER:

PT-5



AT CONNECTIONS



BETWEEN CONNECTIONS

TEE JOINTS

SPANCRETE

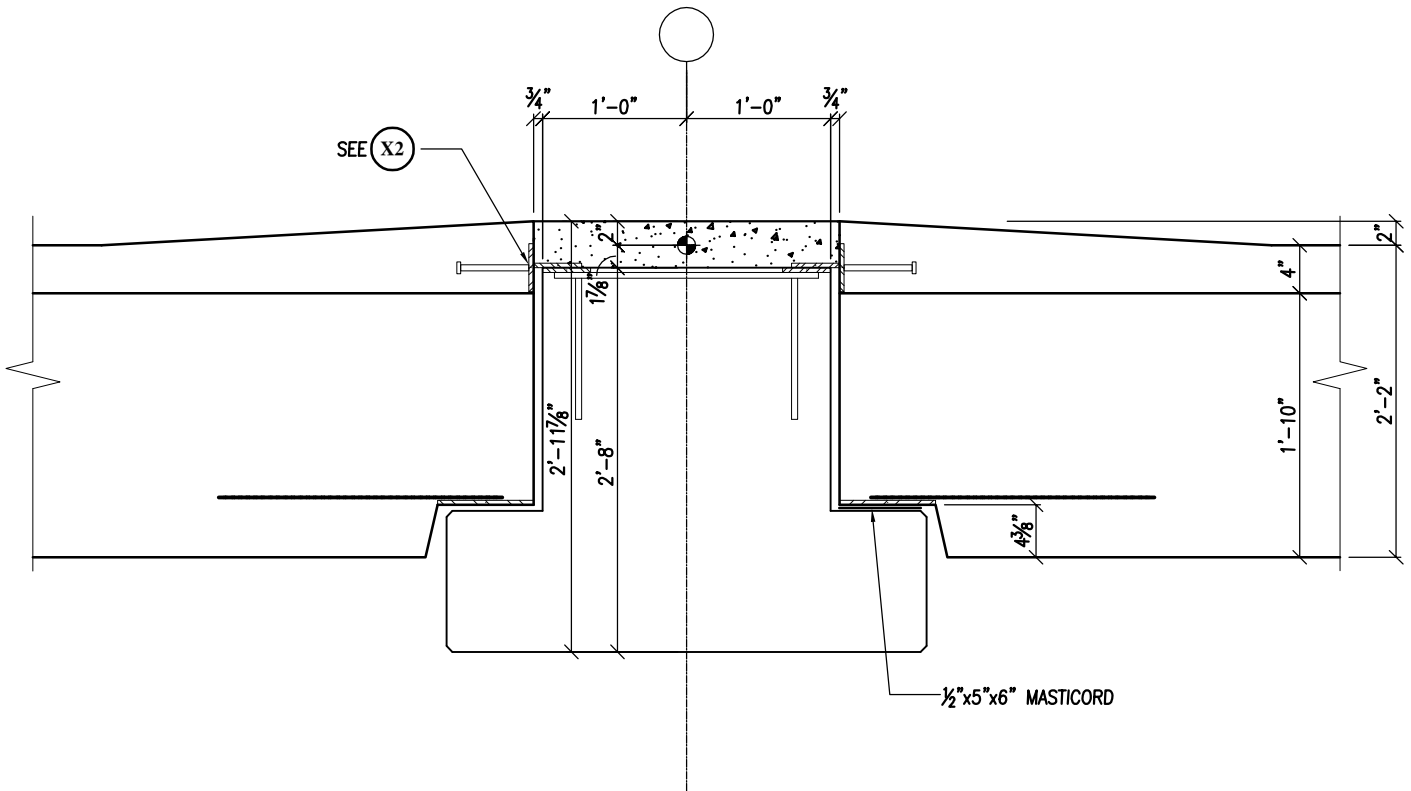
Drafting & Engineering Offices
 Waukesha, WI: 414-290-9000
 Valders, WI: 920-775-4121

Sales Offices

Waukesha, WI 414-290-9000
 Green Bay, WI 920-494-0274
 Arlington Heights, IL 847-879-2100

DETAIL NUMBER:

PT-6



SPANCRETE

Drafting & Engineering Offices

Waukesha, WI: 414-290-9000
Valders, WI: 920-775-4121

Sales Offices

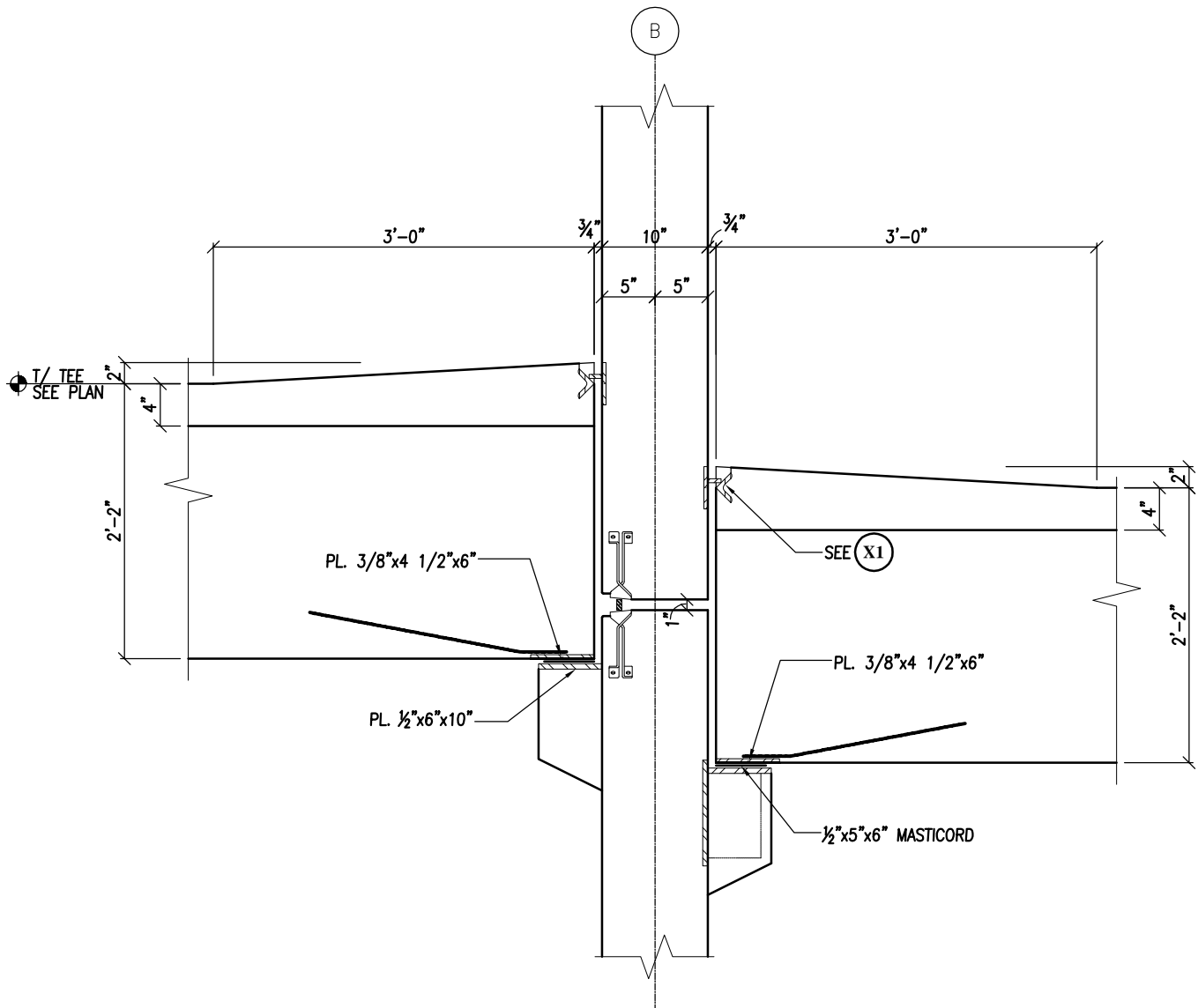
Waukesha, WI
414-290-9000

Green Bay, WI
920-494-0274

Arlington Heights, IL
847-879-2100

DETAIL NUMBER:

PT-8



SPANCRETE

Drafting & Engineering Offices
 Waukesha, WI: 414-290-9000
 Valders, WI: 920-775-4121

Sales Offices

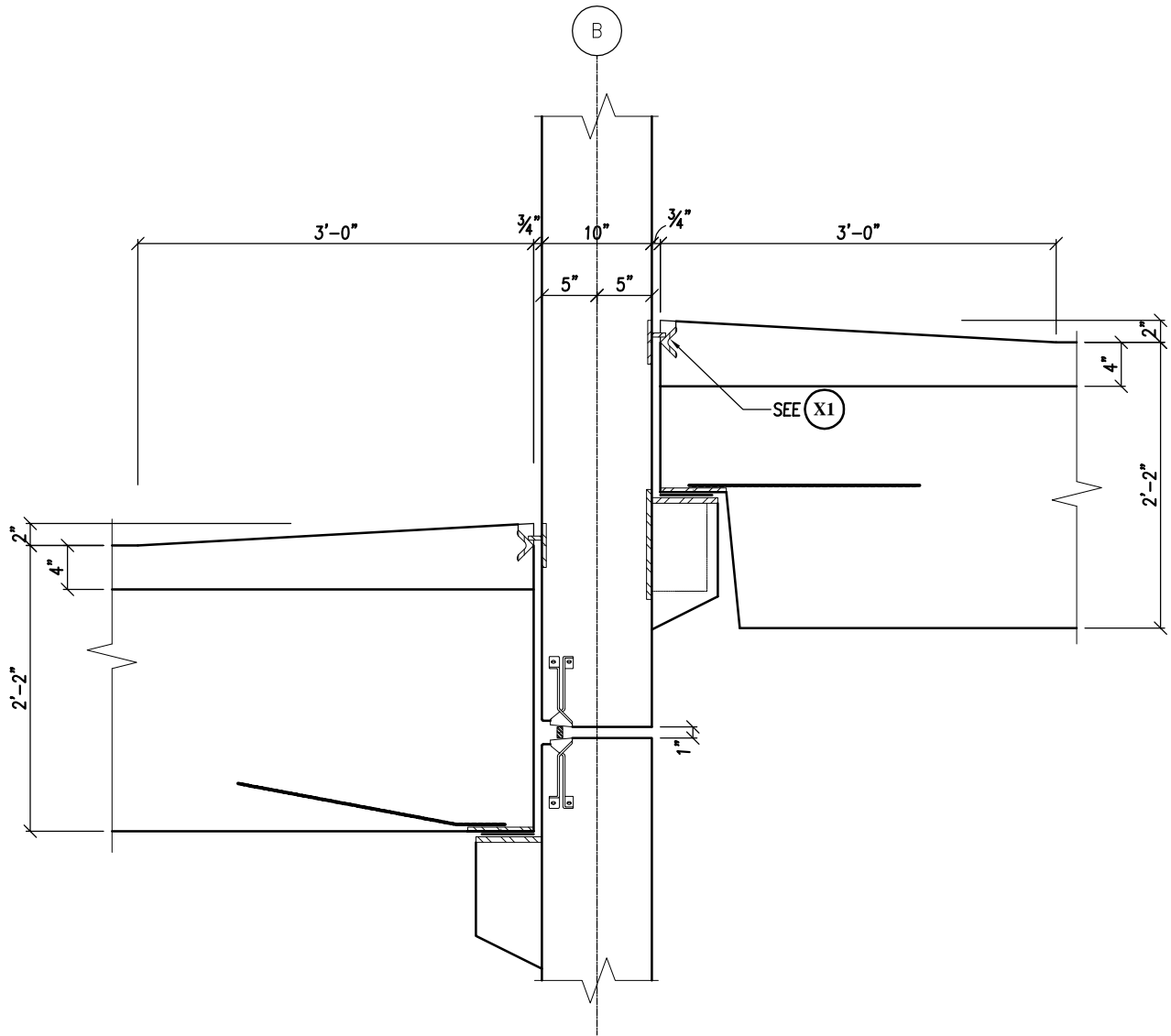
Waukesha, WI
 414-290-9000

Green Bay, WI
 920-494-0274

Arlington Heights, IL
 847-879-2100

DETAIL NUMBER:

PT-9



SPANCRETE

Drafting & Engineering Offices
 Waukesha, WI: 414-290-9000
 Valders, WI: 920-775-4121

Sales Offices

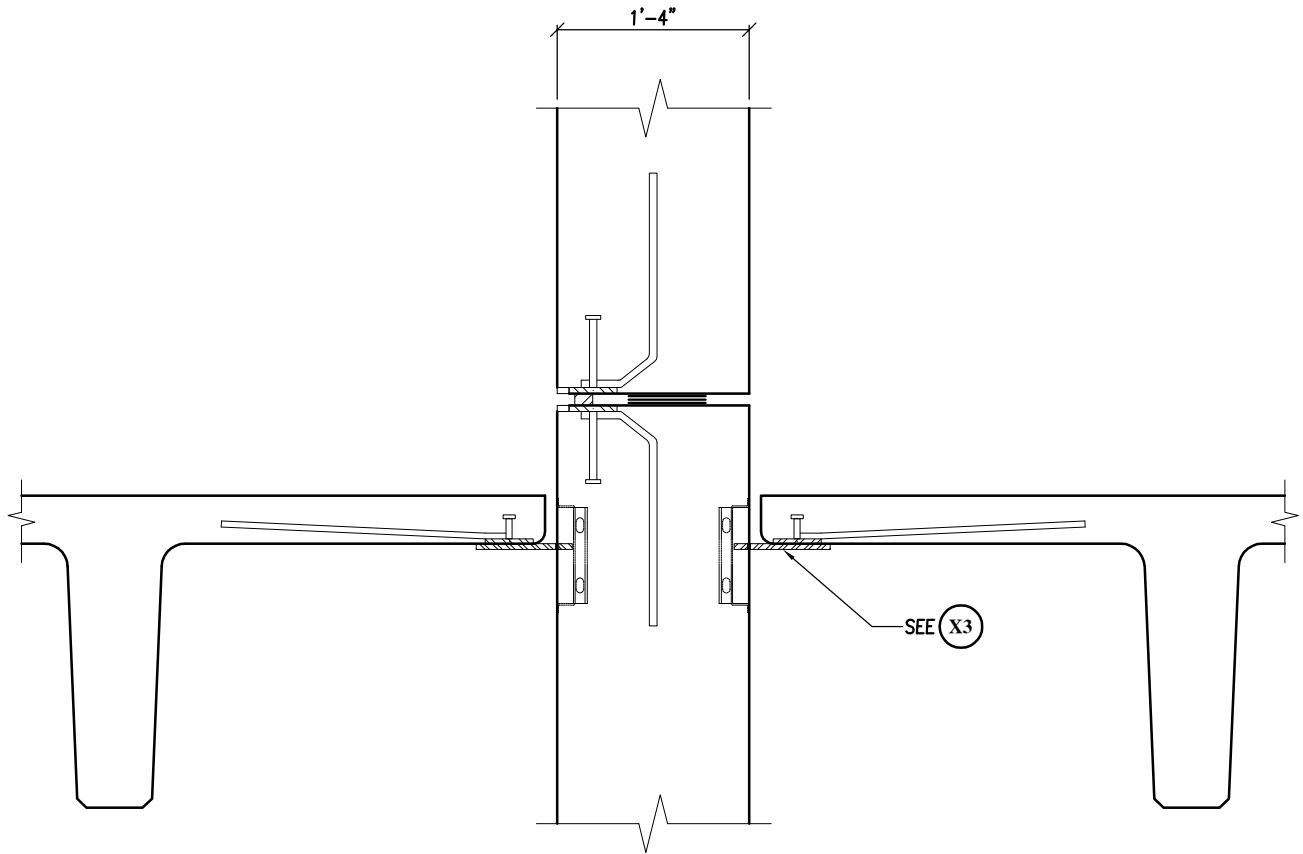
Waukesha, WI
 414-290-9000

Green Bay, WI
 920-494-0274

Arlington Heights, IL
 847-879-2100

DETAIL NUMBER:

PT-10



SPANCRETE

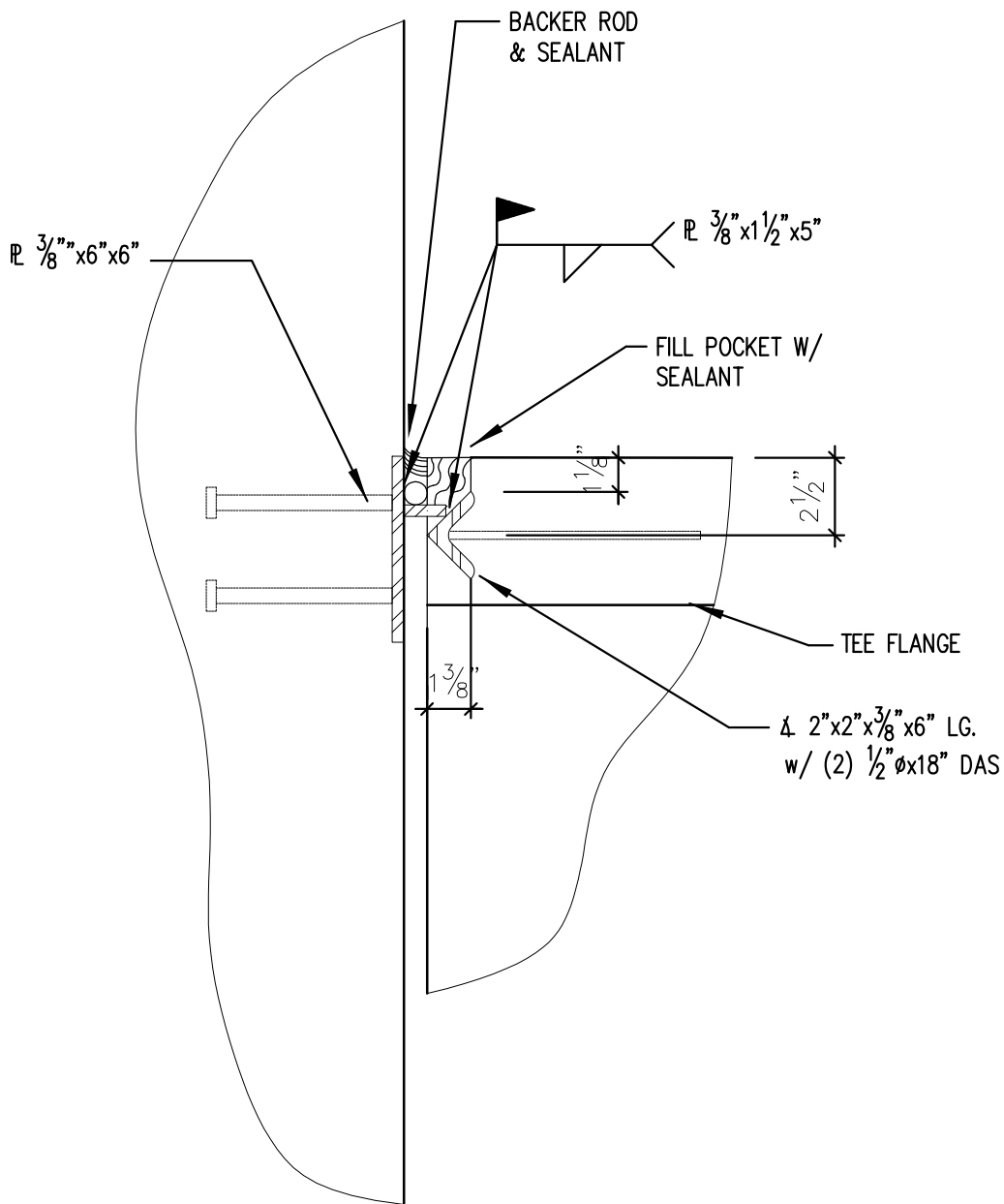
Drafting & Engineering Offices
 Waukesha, WI: 414-290-9000
 Valders, WI: 920-775-4121

Sales Offices

Waukesha, WI 414-290-9000	Green Bay, WI 920-494-0274	Arlington Heights, IL 847-879-2100
------------------------------	-------------------------------	---------------------------------------

DETAIL NUMBER:

PT-11



SPANCRETE

Drafting & Engineering Offices
 Waukesha, WI: 414-290-9000
 Valders, WI: 920-775-4121

Sales Offices

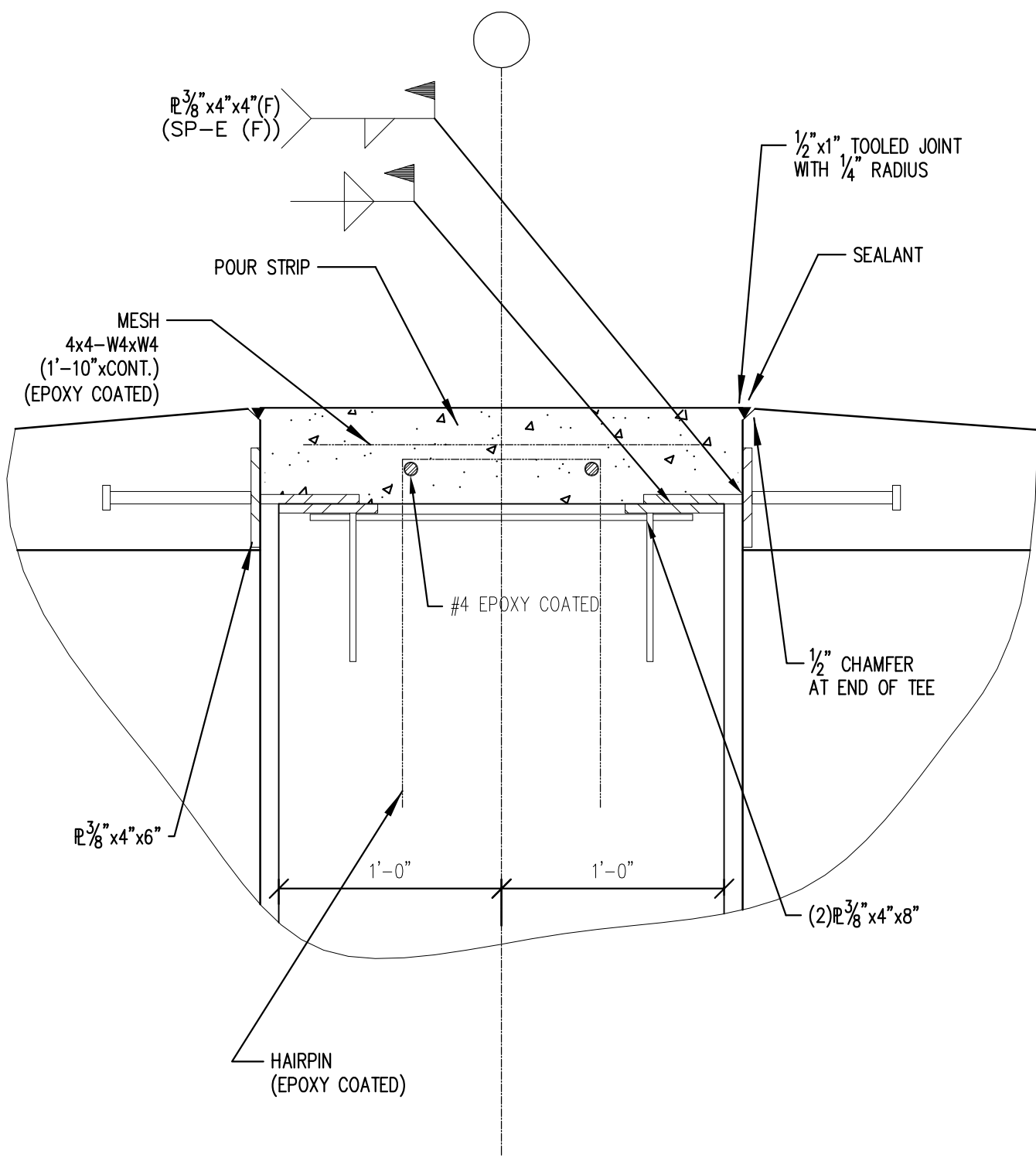
Waukesha, WI
 414-290-9000

Green Bay, WI
 920-494-0274

Arlington Heights, IL
 847-879-2100

DETAIL NUMBER:

PT-X1



SPANCRETE

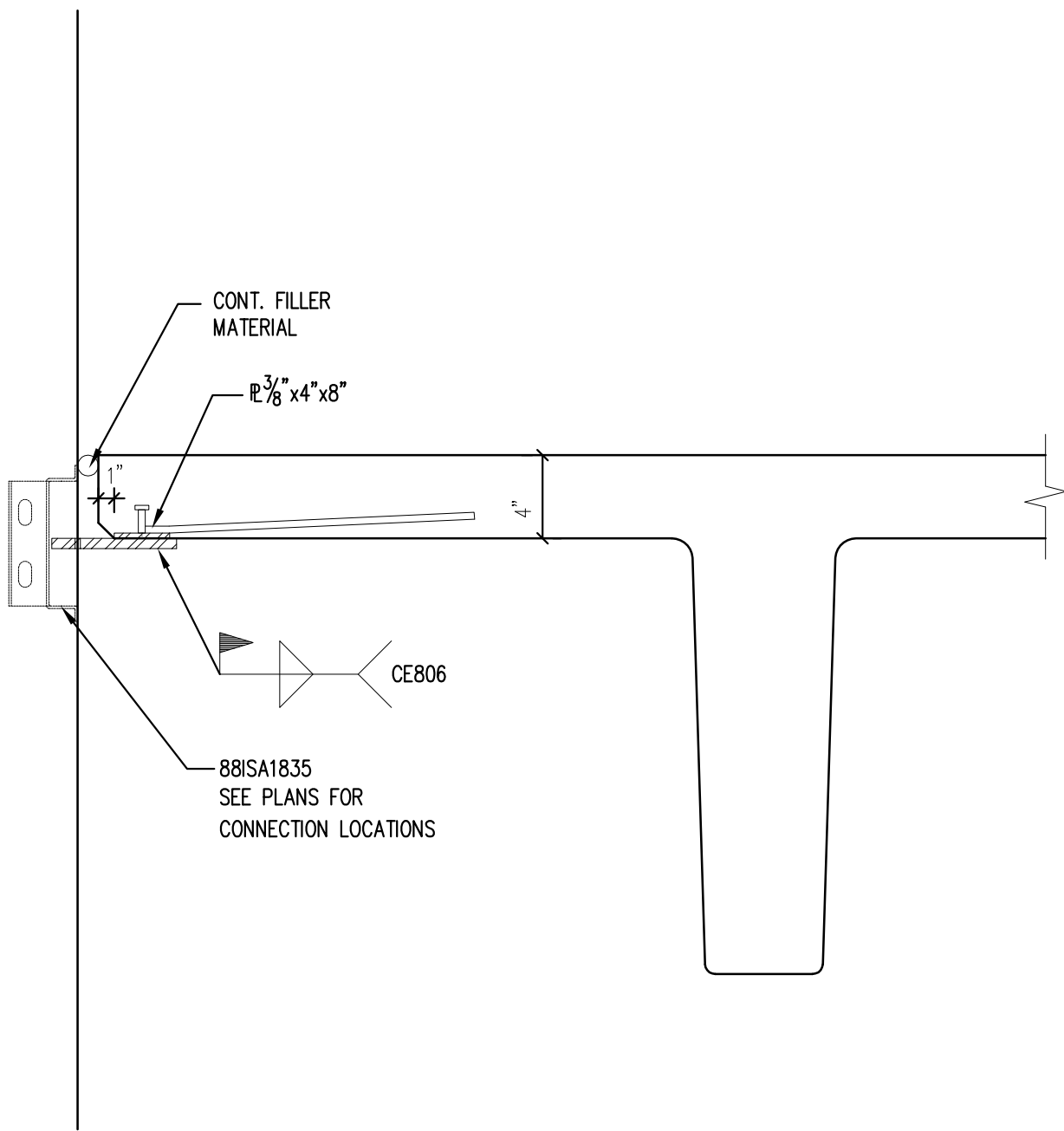
Drafting & Engineering Offices
 Waukesha, WI: 414-290-9000
 Valders, WI: 920-775-4121

Sales Offices

Waukesha, WI Green Bay, WI Arlington Heights, IL
 414-290-9000 920-494-0274 847-879-2100

DETAIL NUMBER:

PT-X2



SPANCRETE

Drafting & Engineering Offices
 Waukesha, WI: 414-290-9000
 Valders, WI: 920-775-4121

Sales Offices

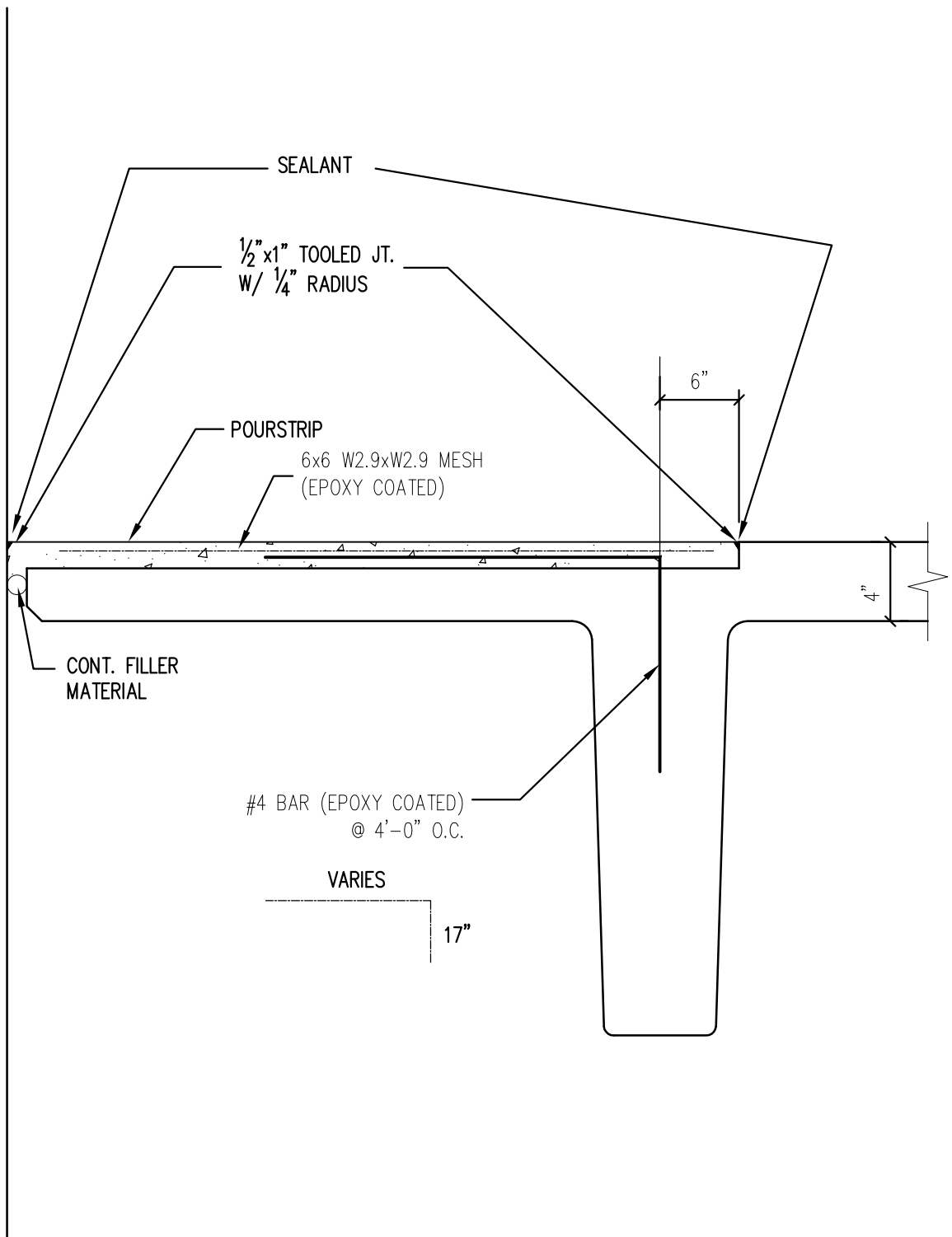
Waukesha, WI
 414-290-9000

Green Bay, WI
 920-494-0274

Arlington Heights, IL
 847-879-2100

DETAIL NUMBER:

PT-X3



SPANCRETE

Drafting & Engineering Offices
Waukesha, WI: 414-290-9000
Valders, WI: 920-775-4121

Sales Offices

Waukesha, WI 414-290-9000
Green Bay, WI 920-494-0274
Arlington Heights, IL 847-879-2100

DETAIL NUMBER:

PT-X4