

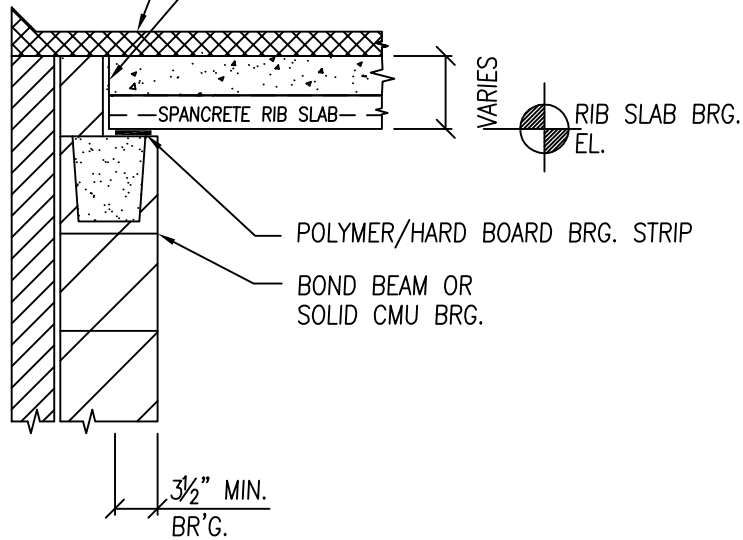
**SPANCRETE®**



**RIB SLAB ON  
C.M.U. DETAILS**

ALL ROOFING & FLASHING  
TO BE SUPPLIED & INSTALLED  
BY OTHERS

INSULATION AT ENDS  
OF SLAB BY OTHERS  
(IF REQUIRED)



RIB SLAB BEARING ON MASONRY

**SPANCRETE®**

DESIGN & ENGINEERING OFFICES

WAUKESHA, WI: 414-290-9000  
VALDERS, WI: 920-775-4121

SALES OFFICES

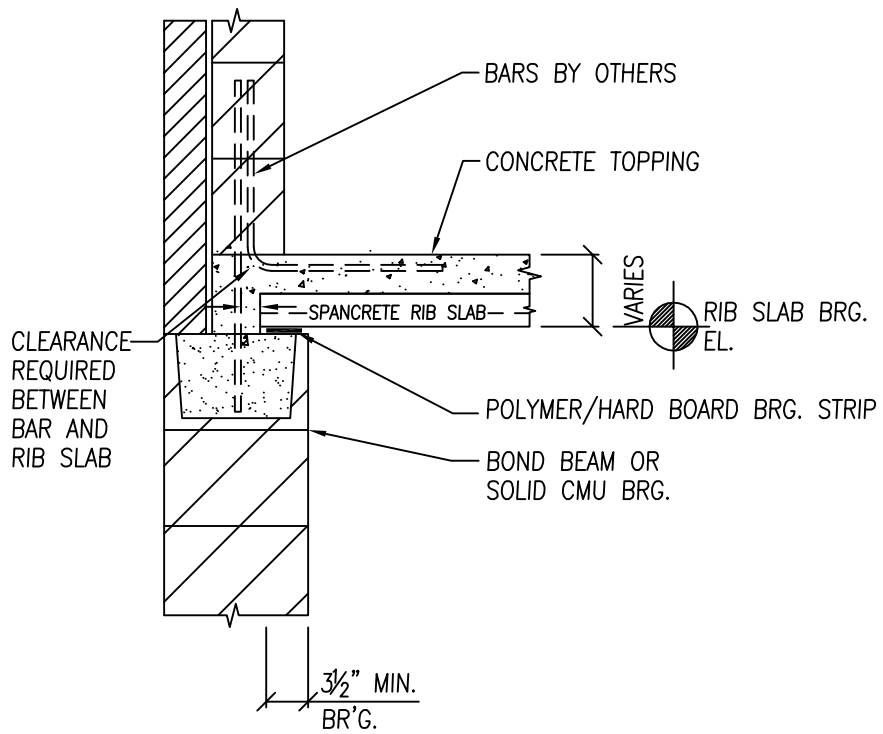
WAUKESHA, WI  
(414) 290-9000

GREEN BAY, WI  
(920) 494-0274

NAPERVILLE, IL  
(847) 879-2100

DETAIL NUMBER

**RS1.1**



RIB SLAB BEARING ON MASONRY

**SPANCRETE®**

DESIGN & ENGINEERING OFFICES

WAUKESHA, WI: 414-290-9000  
VALDERS, WI: 920-775-4121

SALES OFFICES

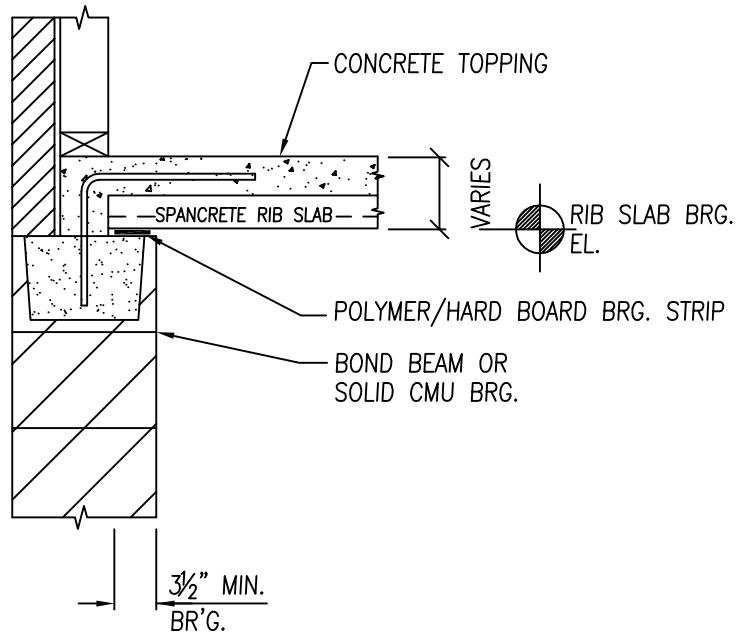
WAUKESHA, WI  
(414) 290-9000

GREEN BAY, WI  
(920) 494-0274

NAPERVILLE, IL  
(847) 879-2100

DETAIL NUMBER

**RS1.2**



RIB SLAB BEARING ON MASONRY

**SPANCRETE®**

DESIGN & ENGINEERING OFFICES

WAUKESHA, WI: 414-290-9000  
VALDERS, WI: 920-775-4121

SALES OFFICES

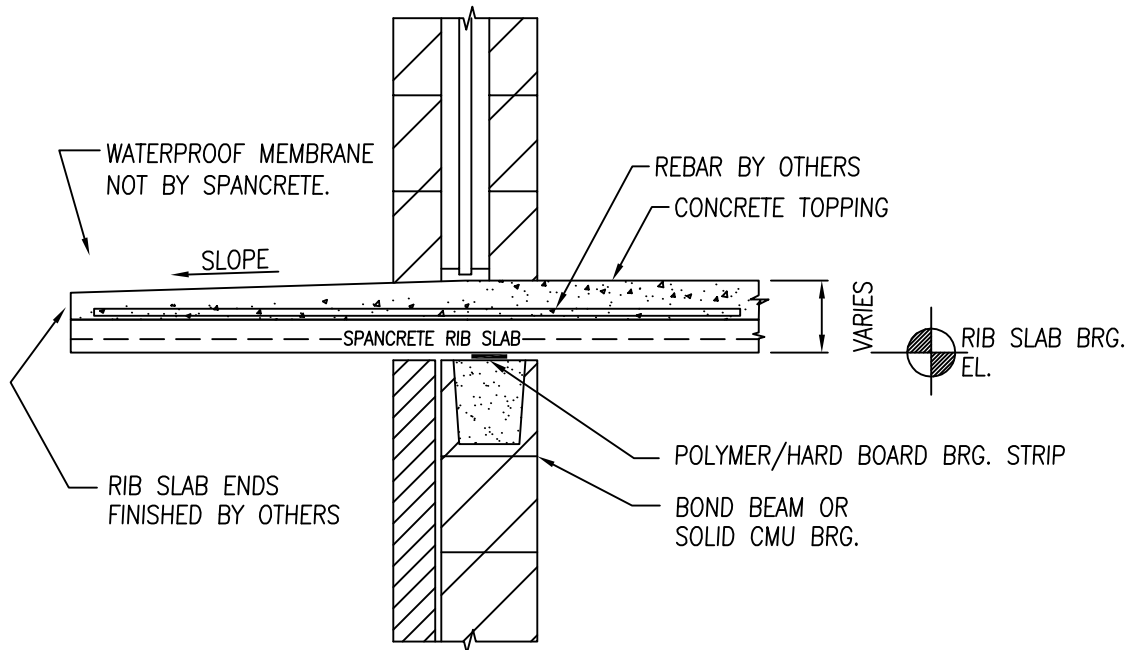
WAUKESHA, WI  
(414) 290-9000

GREEN BAY, WI  
(920) 494-0274

NAPERVILLE, IL  
(847) 879-2100

DETAIL NUMBER

**RS1.3**



RIB SLAB CANTILEVER FLOOR PLANK  
BEARING ON MASONRY

**SPANCRETE®**

DESIGN & ENGINEERING OFFICES

WAUKESHA, WI: 414-290-9000  
VALDERS, WI: 920-775-4121

SALES OFFICES

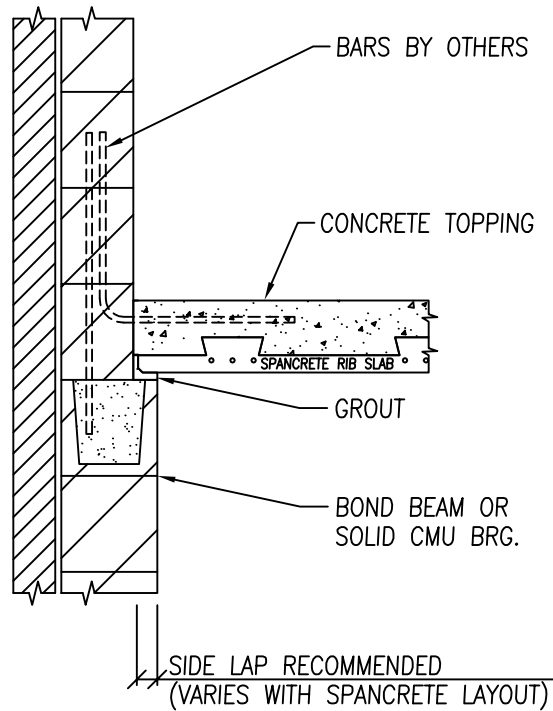
WAUKESHA, WI  
(414) 290-9000

GREEN BAY, WI  
(920) 494-0274

NAPERVILLE, IL  
(847) 879-2100

DETAIL NUMBER

**RS1.4**



RIB SLAB AT EXTERIOR WALL  
NON-LOAD BEARING

**SPANCRETE®**

DESIGN & ENGINEERING OFFICES

WAUKESHA, WI: 414-290-9000  
VALDERS, WI: 920-775-4121

SALES OFFICES

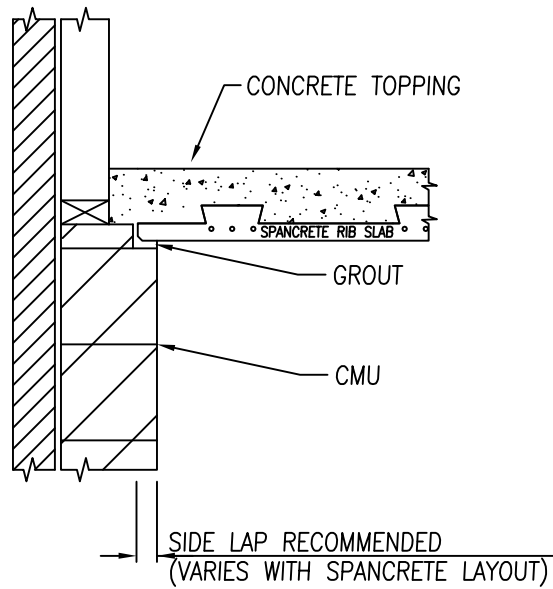
WAUKESHA, WI  
(414) 290-9000

GREEN BAY, WI  
(920) 494-0274

NAPERVILLE, IL  
(847) 879-2100

DETAIL NUMBER

**RS1.6**



RIB SLAB AT EXTERIOR WALL  
NON-LOAD BEARING

**SPANCRETE®**

*DESIGN & ENGINEERING OFFICES*

WAUKESHA, WI: 414-290-9000  
VALDERS, WI: 920-775-4121

SALES OFFICES

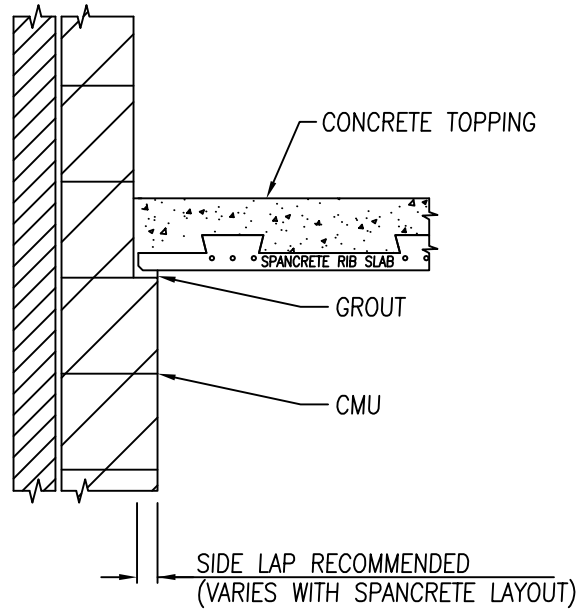
WAUKESHA, WI  
(414) 290-9000

GREEN BAY, WI  
(920) 494-0274

NAPERVILLE, IL  
(847) 879-2100

DETAIL NUMBER

**RS1.7**



RIB SLAB AT EXTERIOR WALL  
NON-LOAD BEARING

**SPANCRETE®**

DESIGN & ENGINEERING OFFICES

WAUKESHA, WI: 414-290-9000  
VALDERS, WI: 920-775-4121

SALES OFFICES

WAUKESHA, WI  
(414) 290-9000

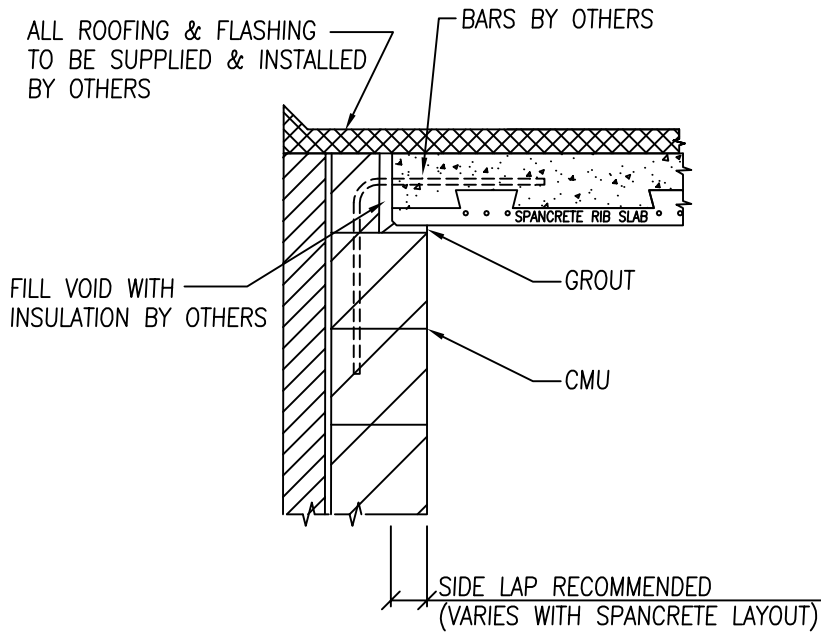
GREEN BAY, WI  
(920) 494-0274

NAPERVILLE, IL  
(847) 879-2100

DETAIL NUMBER

**RS1.8**





RIB SLAB AT EXTERIOR WALL  
NON-LOAD BEARING

**SPANCRETE®**

DESIGN & ENGINEERING OFFICES

WAUKESHA, WI: 414-290-9000  
VALDERS, WI: 920-775-4121

SALES OFFICES

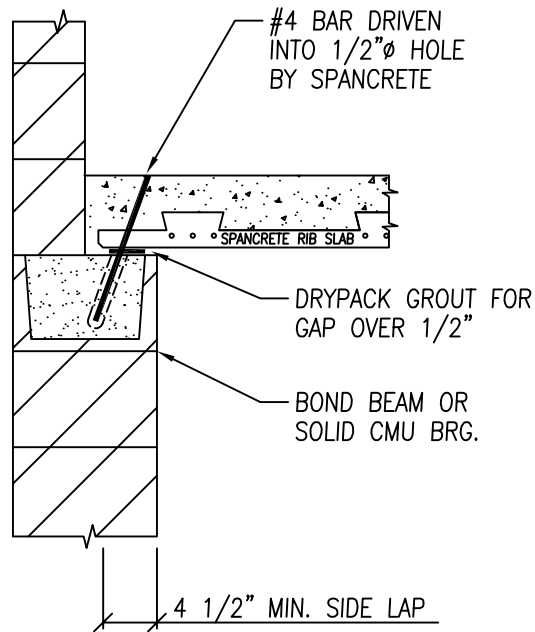
WAUKESHA, WI  
(414) 290-9000

GREEN BAY, WI  
(920) 494-0274

NAPERVILLE, IL  
(847) 879-2100

DETAIL NUMBER

**RS1.9**



RIB SLAB AT EXTERIOR WALL  
NON-LOAD BEARING

**SPANCRETE®**

DESIGN & ENGINEERING OFFICES

WAUKESHA, WI: 414-290-9000  
VALDERS, WI: 920-775-4121

SALES OFFICES

WAUKESHA, WI  
(414) 290-9000

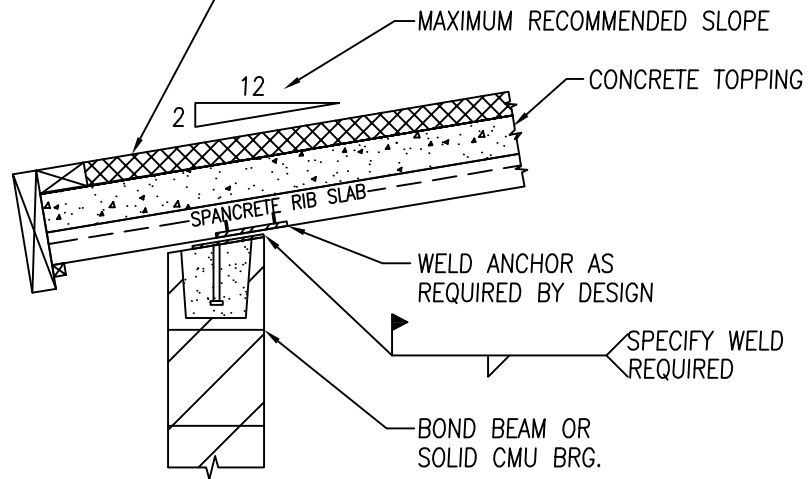
GREEN BAY, WI  
(920) 494-0274

NAPERVILLE, IL  
(847) 879-2100

DETAIL NUMBER

**RS1.10**

ALL ROOFING & FLASHING  
TO BE SUPPLIED & INSTALLED  
BY OTHERS



SLOPED RIB SLAB ROOF  
BEARING ON MASONRY

**SPANCRETE®**

DESIGN & ENGINEERING OFFICES

WAUKESHA, WI: 414-290-9000  
VALDERS, WI: 920-775-4121

SALES OFFICES

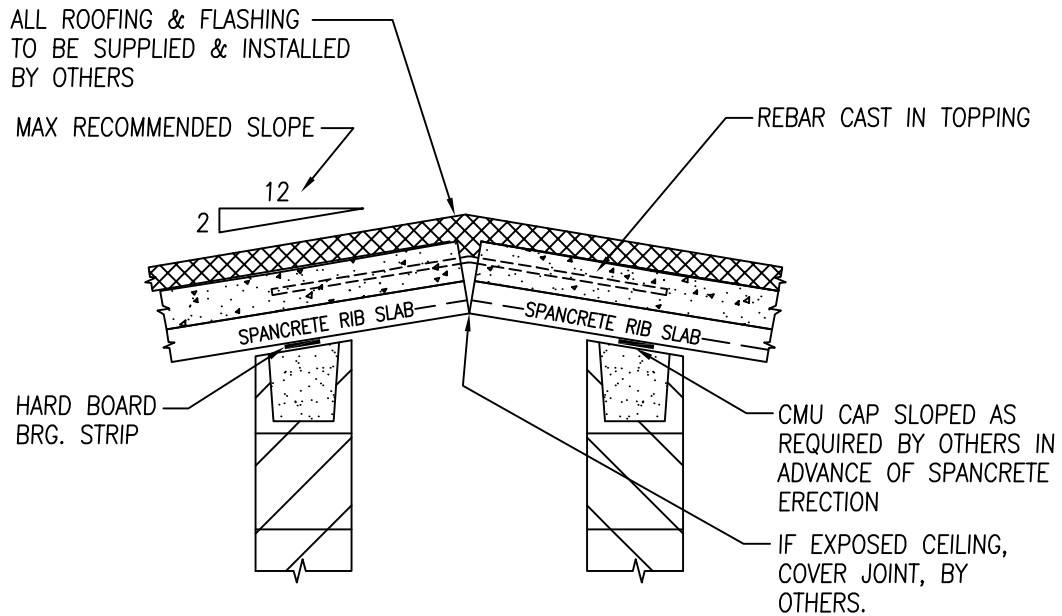
WAUKESHA, WI  
(414) 290-9000

GREEN BAY, WI  
(920) 494-0274

NAPERVILLE, IL  
(847) 879-2100

DETAIL NUMBER

**RS1.11**



SLOPED RIB SLAB ROOF  
BEARING ON MASONRY

**SPANCRETE®**

DESIGN & ENGINEERING OFFICES

WAUKESHA, WI: 414-290-9000  
VALDERS, WI: 920-775-4121

SALES OFFICES

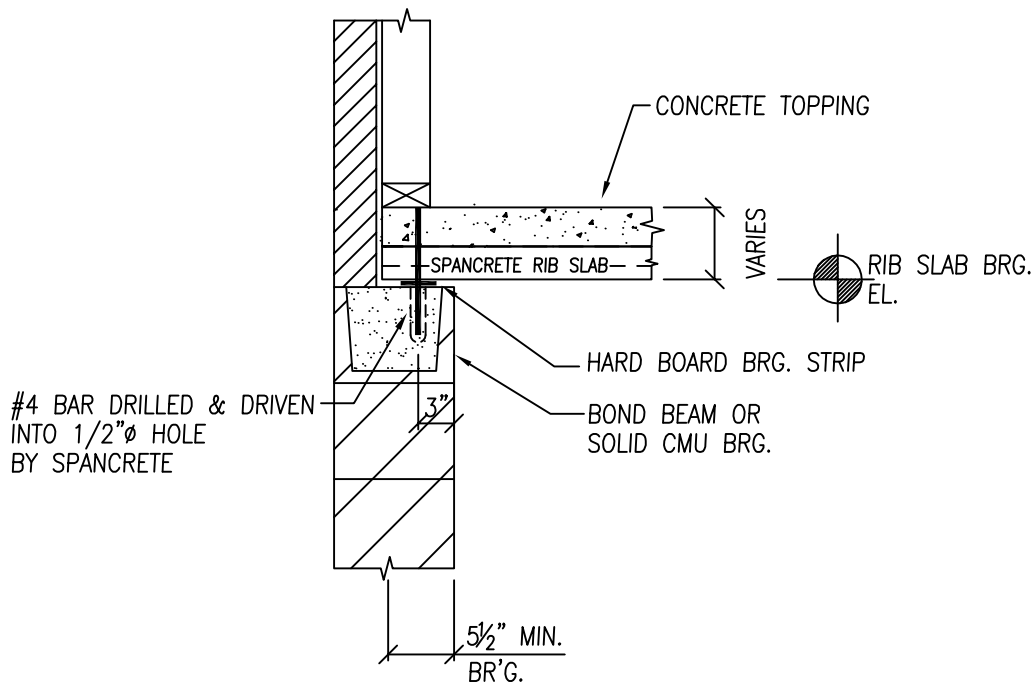
WAUKESHA, WI  
(414) 290-9000

GREEN BAY, WI  
(920) 494-0274

NAPERVILLE, IL  
(847) 879-2100

DETAIL NUMBER

**RS1.12**



RIB SLAB BEARING ON MASONRY

**SPANCRETE®**

DESIGN & ENGINEERING OFFICES

WAUKESHA, WI: 414-290-9000  
VALDERS, WI: 920-775-4121

SALES OFFICES

WAUKESHA, WI  
(414) 290-9000

GREEN BAY, WI  
(920) 494-0274

NAPERVILLE, IL  
(847) 879-2100

DETAIL NUMBER

**RS1.13**