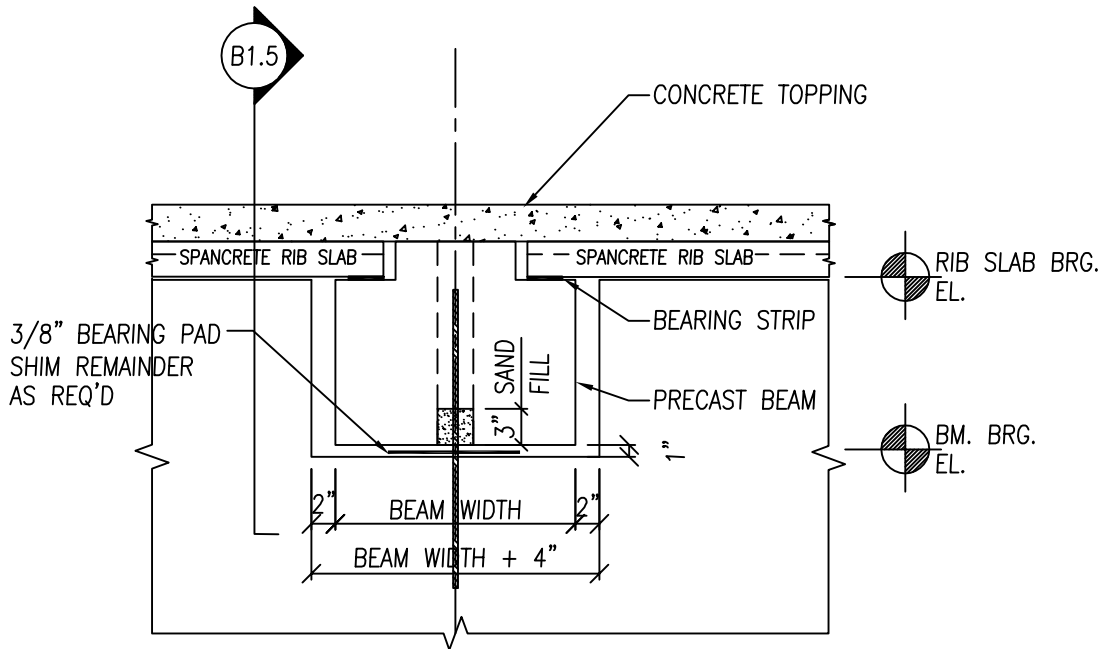


SPANCRETE®



**RIB SLAB ON
PRECAST DETAILS**



EXTERIOR WALL BEAM POCKET

SPANCRETE®

DESIGN & ENGINEERING OFFICES

WAUKESHA, WI: 414-290-9000
VALDERS, WI: 920-775-4121

SALES OFFICES

WAUKESHA, WI
(414) 290-9000

GREEN BAY, WI
(920) 494-0274

NAPERVILLE, IL
(847) 879-2100

DETAIL NUMBER

RSB2.1