

PLOTTER



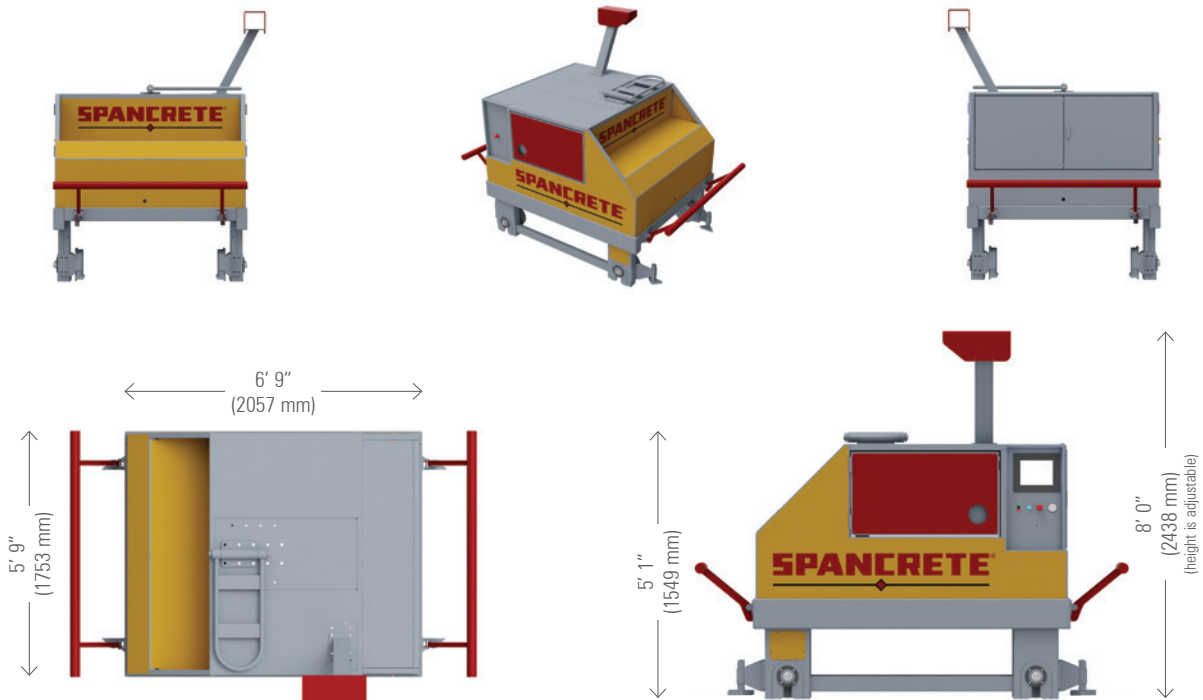
Fully automatic and battery driven, the Spancrete Plotter runs on the casting bed rails and draws all the marks for straight cuts, angle cuts, electrical sockets, slab number, manufacturer logo and different cut-outs on the wet concrete.

Software systems, in either 3-D or 2-D, can wirelessly send files to the Spancrete Plotter to provide for full automation and immediate production capabilities.

- Plotter can drill weep holes
- Plotter can print on top and one or both sides of product
- Plotter can print on concrete and steel



PLOTTER



TECHNICAL DETAILS

Dimensions (LxWxH)	6.75 ft (2.06 m) x 5.75 ft (1.75 m) x 5.08 ft (1.55 m)
Weight	3,500 lb (1,600 kg)
Tolerance	± 1/8 in (3 mm) at distance of 500 ft (150 m)
Power Supply	24 VDC
Recharging Time	4-8 hours
Speed	Max 165 ft/min (50 m/min)
Capacity	6,550 ft (2,000 m) of casting bed without recharge
Working Time	330 ft (100 m) casting bed, 15-60 min

QUALITY.
SERVICE.
INNOVATION.
SPANCRETE.

SPANCRETE®

N16 W23415 STONERIDGE DRIVE
WAUKESHA, WI 53188
414.290.9000 | TOLL FREE: 855.900.SPAN
SPANCRETE.COM