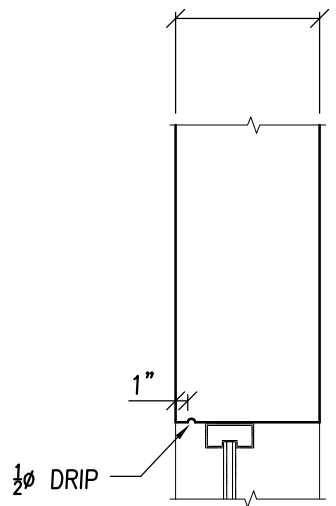


**SPANCRETE**

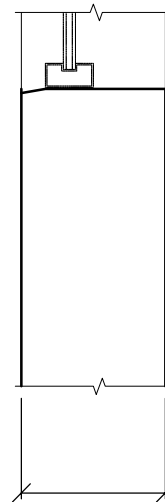
®

**SOLID FORM-CAST  
WALL PANEL DETAILS**

MISC. DETAILS – SHALLOW WINDOW/DOOR FRAMING



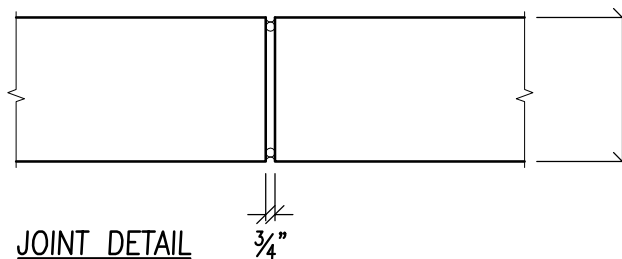
HEAD DETAIL



SILL DETAIL



JAMB DETAIL



JOINT DETAIL

**SPANCRETE**

*Drafting & Engineering Offices*

Waukesha, WI: 414-290-9000  
Valders, WI: 920-775-4121

*Sales Offices*

Waukesha, WI  
414-290-9000

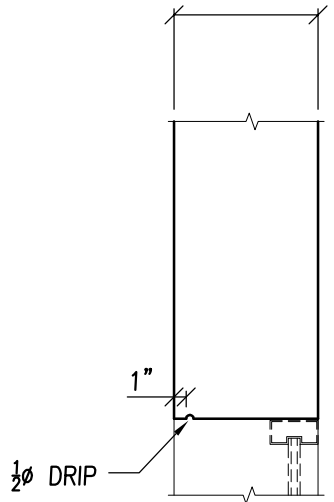
Green Bay, WI  
920-494-0274

Arlington Heights, IL  
847-879-2100

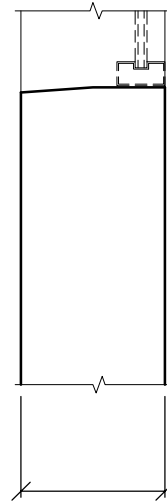
DETAIL NUMBER:

**A-60**

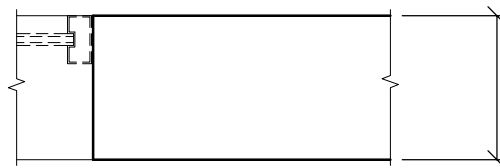
MISC. DETAILS – DEEP WINDOW/DOOR FRAMING



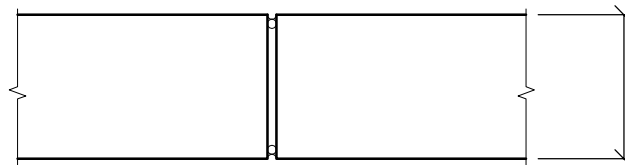
HEAD DETAIL



SILL DETAIL



JAMB DETAIL



JOINT DETAIL

3/4"

**SPANCRETE**

*Drafting & Engineering Offices*

Waukesha, WI: 414-290-9000  
Valders, WI: 920-775-4121

*Sales Offices*

Waukesha, WI  
414-290-9000

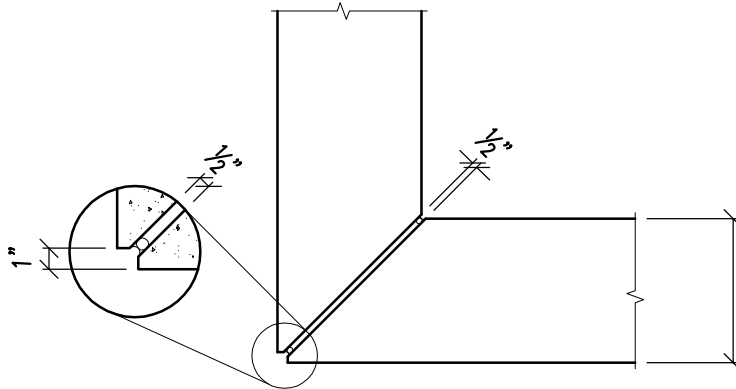
Green Bay, WI  
920-494-0274

Arlington Heights, IL  
847-879-2100

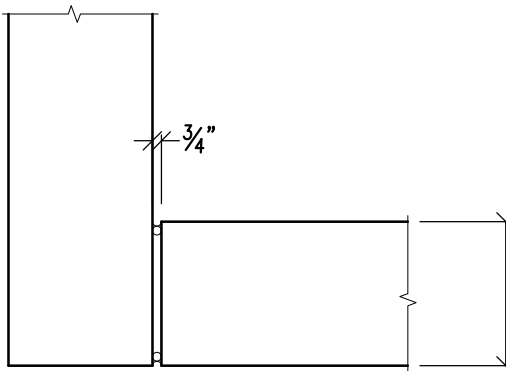
DETAIL NUMBER:

**A-61**

OUTSIDE CORNER OPTIONS



MITERED CORNER DETAIL



WRAPPED CORNER (BUTT JOINT) DETAIL

**SPANCRETE**

*Drafting & Engineering Offices*

Waukesha, WI: 414-290-9000  
Valders, WI: 920-775-4121

*Sales Offices*

Waukesha, WI  
414-290-9000

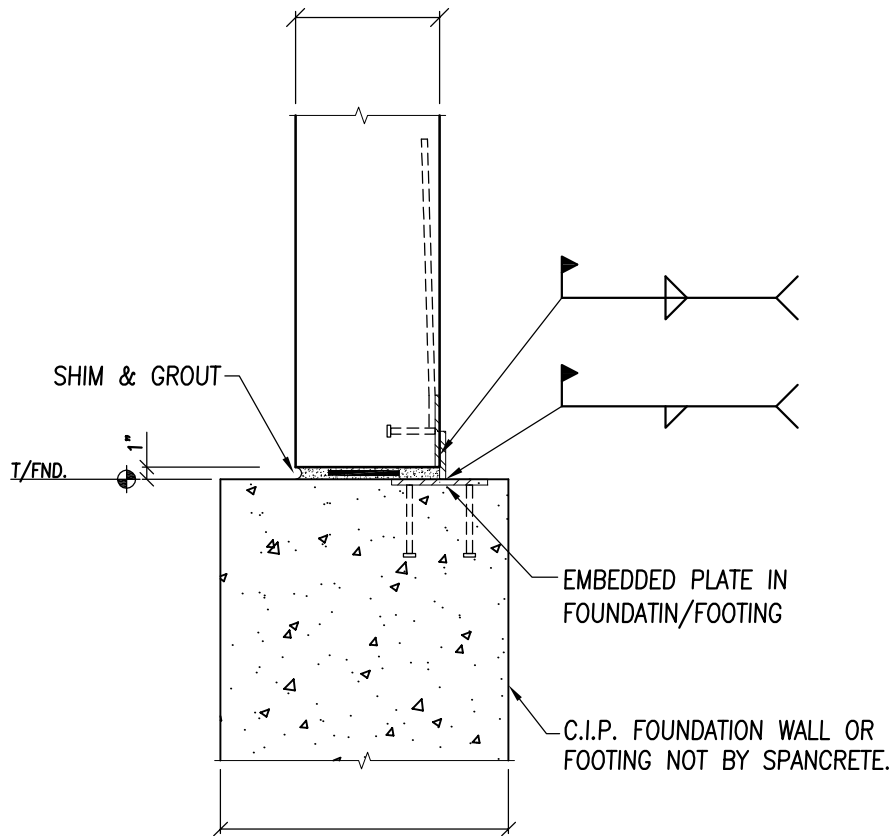
Green Bay, WI  
920-494-0274

Arlington Heights, IL  
847-879-2100

DETAIL NUMBER:

**A-62**

BASE CONNECTION



**SPANCRETE**

*Drafting & Engineering Offices*  
Waukesha, WI: 414-290-9000  
Valders, WI: 920-775-4121

*Sales Offices*

Waukesha, WI  
414-290-9000

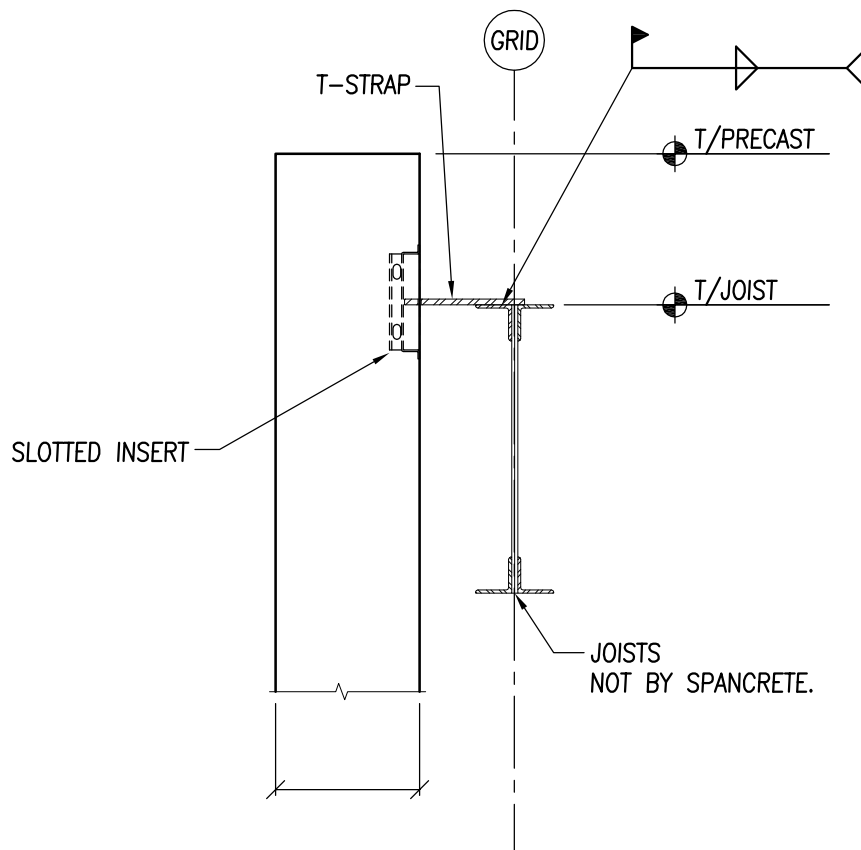
Green Bay, WI  
920-494-0274

Arlington Heights, IL  
847-879-2100

DETAIL NUMBER:

**A-63**

TIEBACK TO JOIST



**SPANCRETE**

*Drafting & Engineering Offices*

Waukesha, WI: 414-290-9000  
Valders, WI: 920-775-4121

*Sales Offices*

Waukesha, WI  
414-290-9000

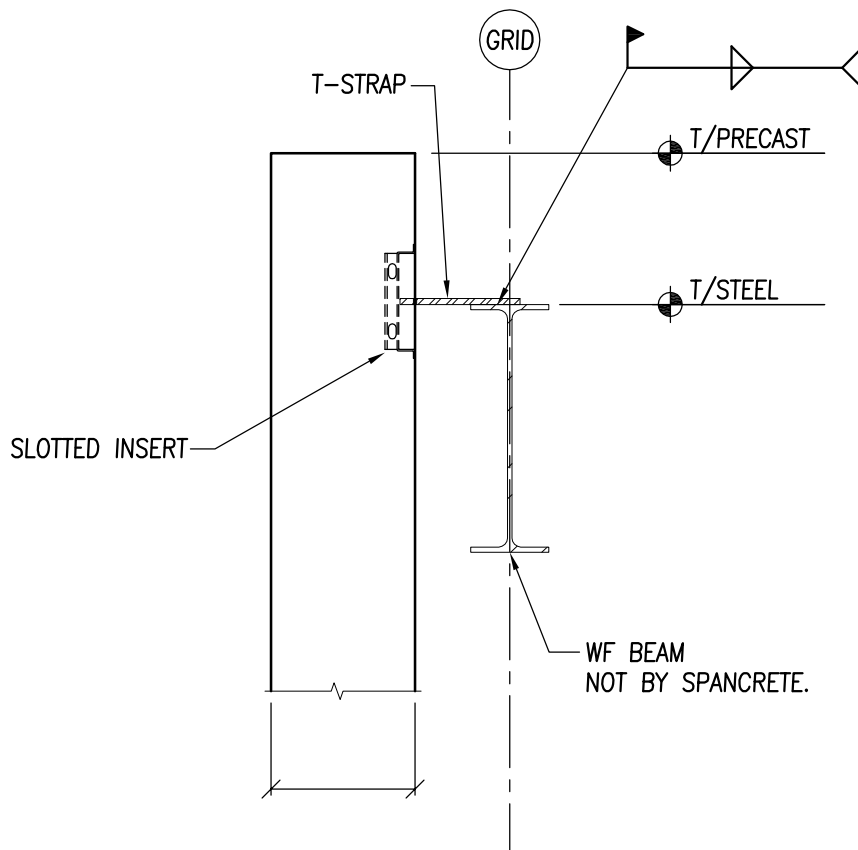
Green Bay, WI  
920-494-0274

Arlington Heights, IL  
847-879-2100

DETAIL NUMBER:

**A-64**

TIEBACK TO STEEL BEAM



**SPANCRETE**

*Drafting & Engineering Offices*  
Waukesha, WI: 414-290-9000  
Valders, WI: 920-775-4121

*Sales Offices*

Waukesha, WI  
414-290-9000

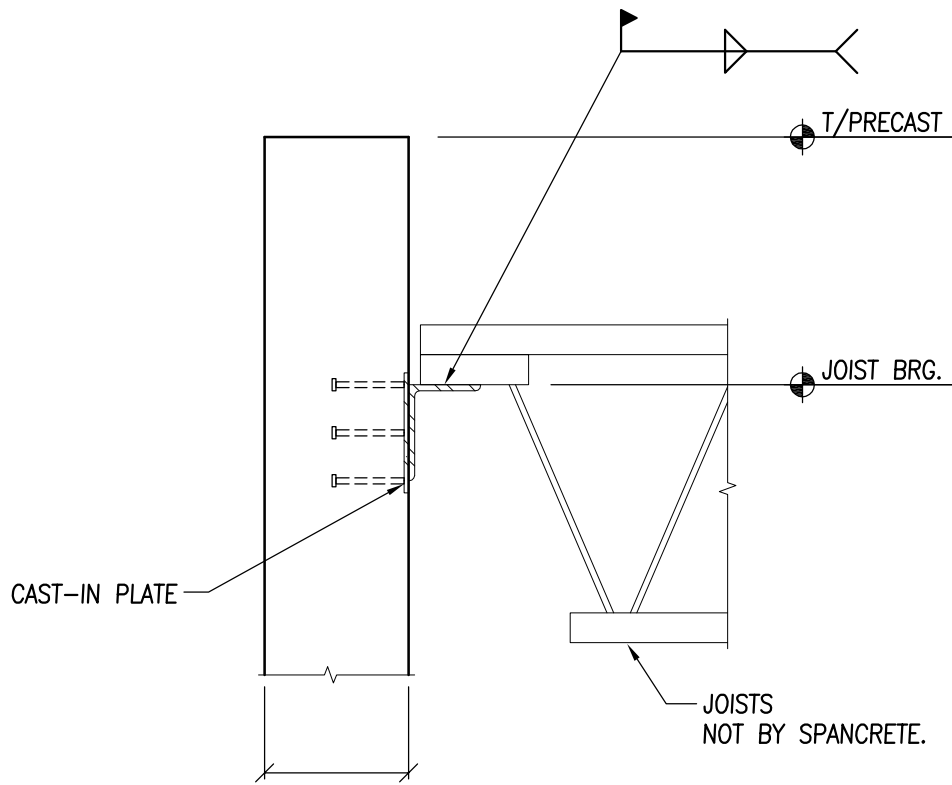
Green Bay, WI  
920-494-0274

Arlington Heights, IL  
847-879-2100

DETAIL NUMBER:

**A-65**

JOIST BEARING ON ANGLE



**SPANCRETE**

*Drafting & Engineering Offices*  
Waukesha, WI: 414-290-9000  
Valders, WI: 920-775-4121

*Sales Offices*

Waukesha, WI  
414-290-9000

Green Bay, WI  
920-494-0274

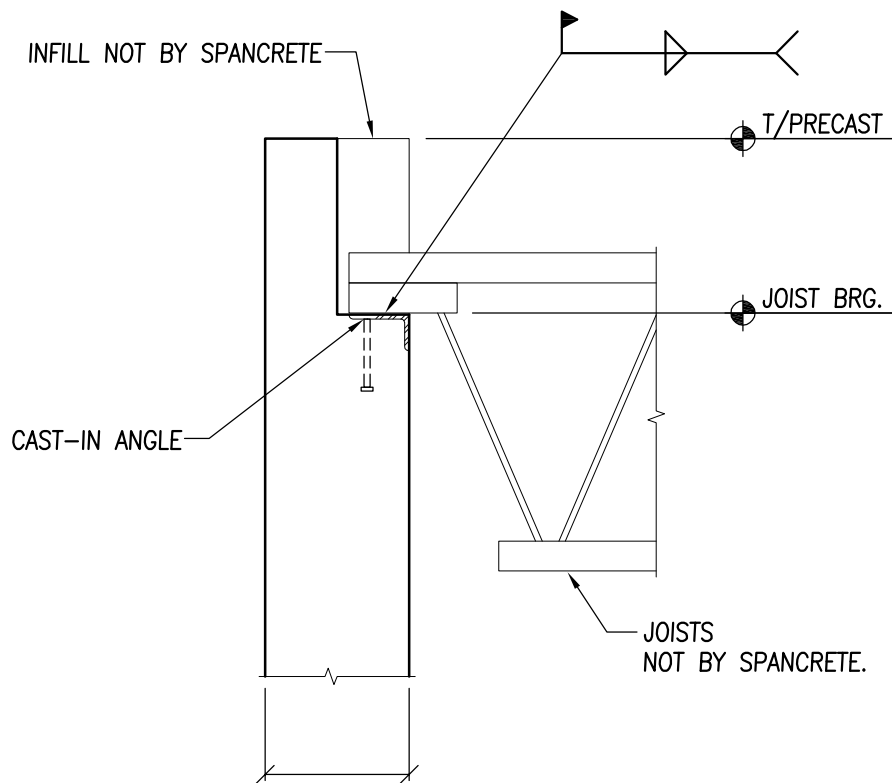
Arlington Heights, IL  
847-879-2100

DETAIL NUMBER:

**A-66**



JOIST BEARING IN POCKET



**SPANCRETE**

*Drafting & Engineering Offices*

Waukesha, WI: 414-290-9000  
Valders, WI: 920-775-4121

*Sales Offices*

Waukesha, WI  
414-290-9000

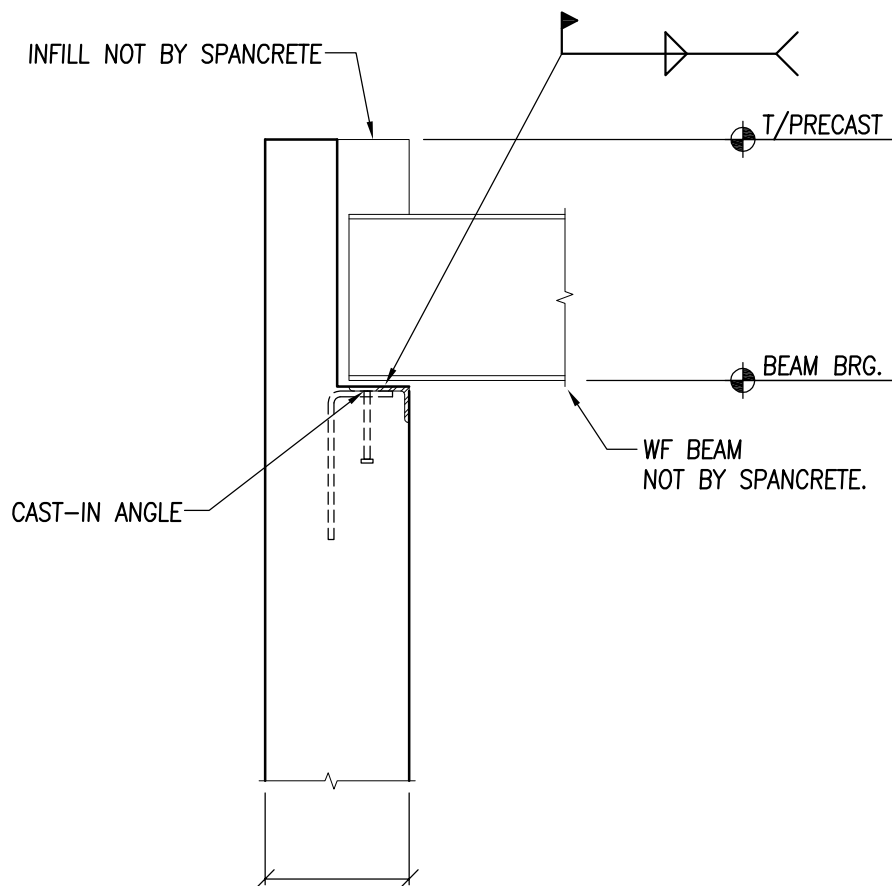
Green Bay, WI  
920-494-0274

Arlington Heights, IL  
847-879-2100

DETAIL NUMBER:

**A-67**

STEEL BEAM BEARING IN POCKET



**SPANCRETE**

*Drafting & Engineering Offices*

Waukesha, WI: 414-290-9000  
Valders, WI: 920-775-4121

*Sales Offices*

Waukesha, WI  
414-290-9000

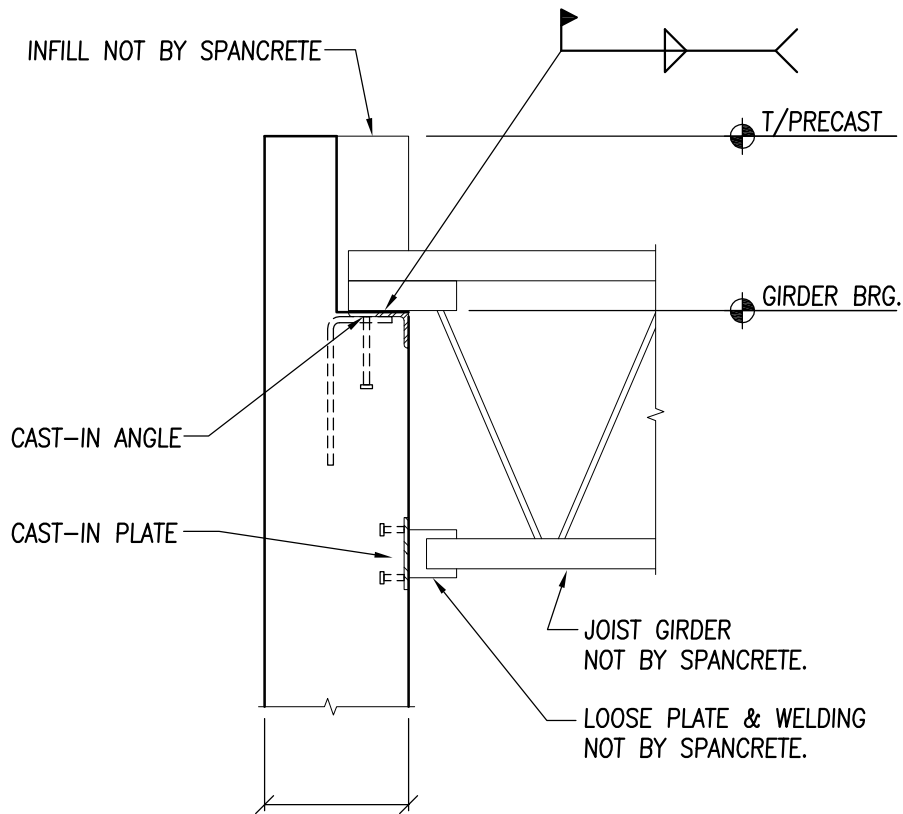
Green Bay, WI  
920-494-0274

Arlington Heights, IL  
847-879-2100

DETAIL NUMBER:

**A-68**

JOIST GIRDER BEARING IN POCKET



**SPANCRETE**

*Drafting & Engineering Offices*

Waukesha, WI: 414-290-9000  
Valders, WI: 920-775-4121

*Sales Offices*

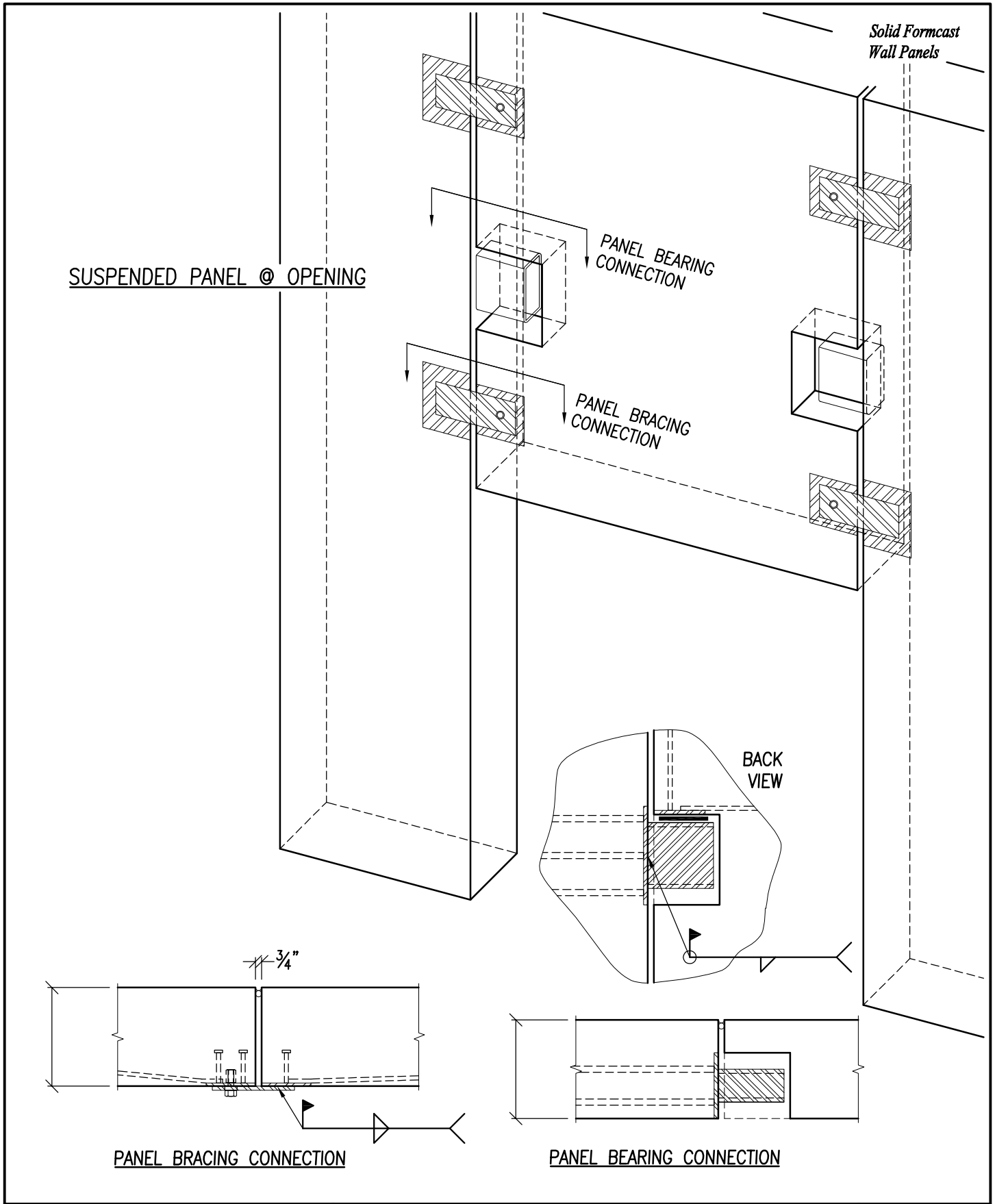
Waukesha, WI  
414-290-9000

Green Bay, WI  
920-494-0274

Arlington Heights, IL  
847-879-2100

DETAIL NUMBER:

**A-69**



**SPANCRETE**

*Drafting & Engineering Offices*

Waukesha, WI: 414-290-9000  
Valders, WI: 920-775-4121

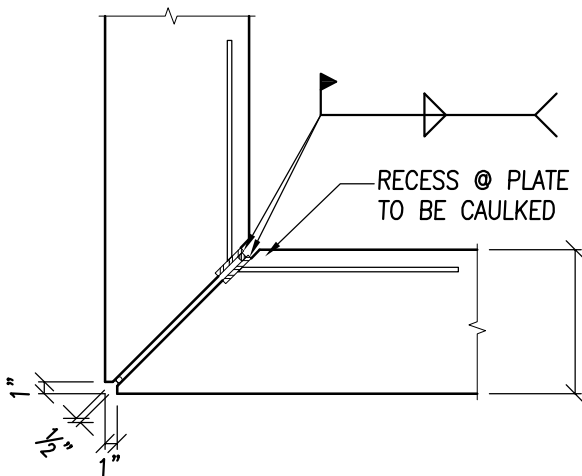
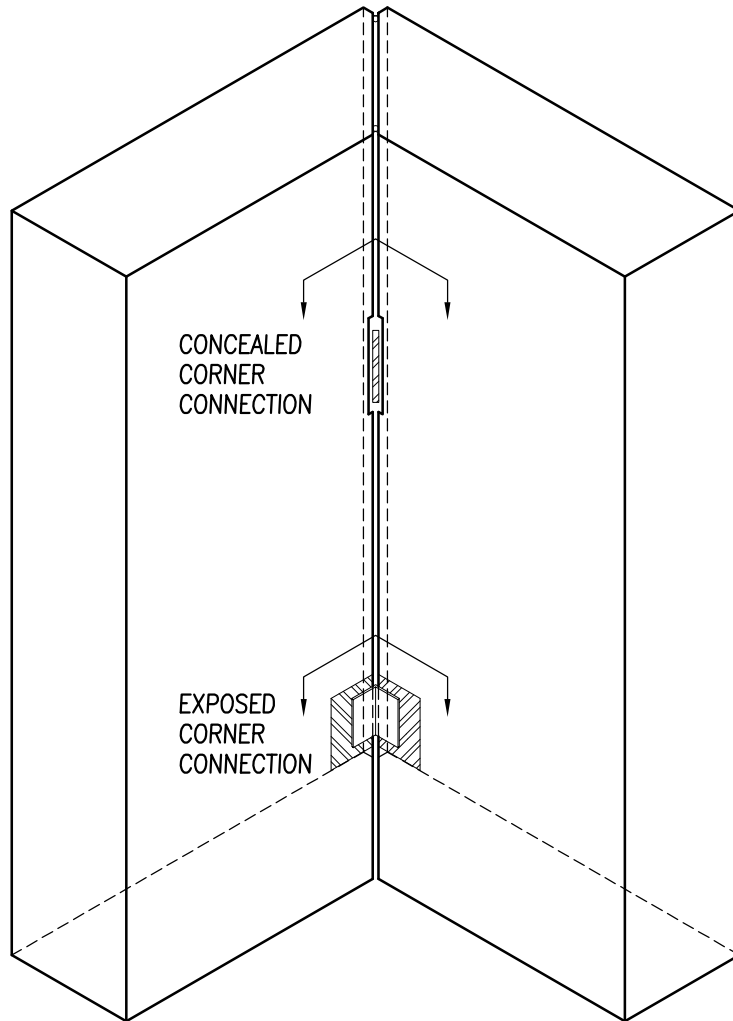
*Sales Offices*

Waukesha, WI 414-290-9000  
Green Bay, WI 920-494-0274  
Arlington Heights, IL 847-879-2100

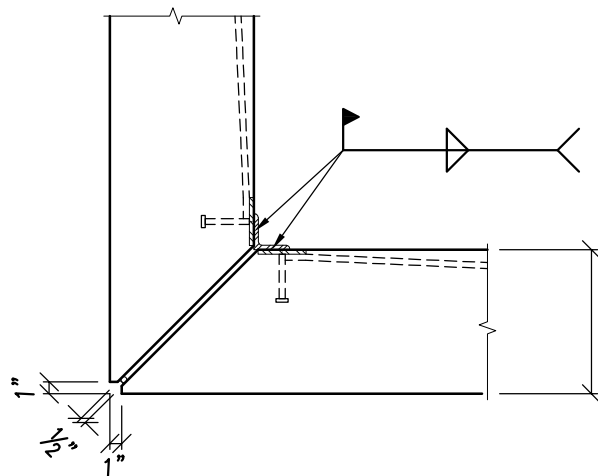
DETAIL NUMBER:

**A-70**

MITERED CORNER DETAIL (FROM INSIDE)



CONCEALED CONNECTION



EXPOSED CONNECTION

**SPANCRETE**

Drafting & Engineering Offices

Waukesha, WI: 414-290-9000  
Valders, WI: 920-775-4121

Sales Offices

Waukesha, WI  
414-290-9000

Green Bay, WI  
920-494-0274

Arlington Heights, IL  
847-879-2100

DETAIL NUMBER:

**A-71**