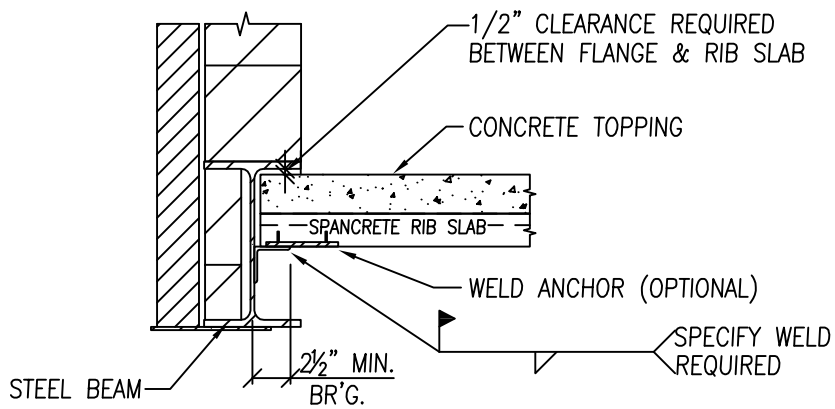


SPANCRETE[®]



**RIB SLAB ON
STEEL DETAILS**



RIB SLAB BEARING
ON EXTERIOR STEEL BEAM

SPANCRETE®

DESIGN & ENGINEERING OFFICES

WAUKESHA, WI: 414-290-9000
VALDERS, WI: 920-775-4121

SALES OFFICES

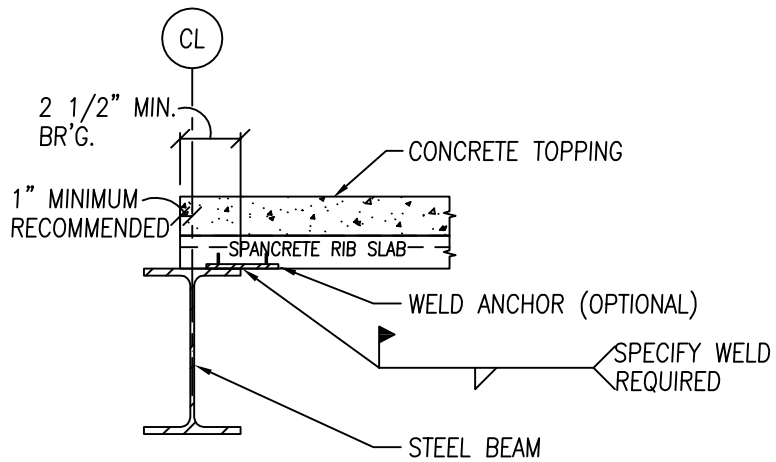
WAUKESHA, WI
(414) 290-9000

GREEN BAY, WI
(920) 494-0274

NAPERVILLE, IL
(847) 879-2100

DETAIL NUMBER

RS3.1



RIB SLAB BEARING
ON EXTERIOR STEEL BEAM

SPANCRETE®

DESIGN & ENGINEERING OFFICES

WAUKESHA, WI: 414-290-9000
VALDERS, WI: 920-775-4121

SALES OFFICES

WAUKESHA, WI
(414) 290-9000

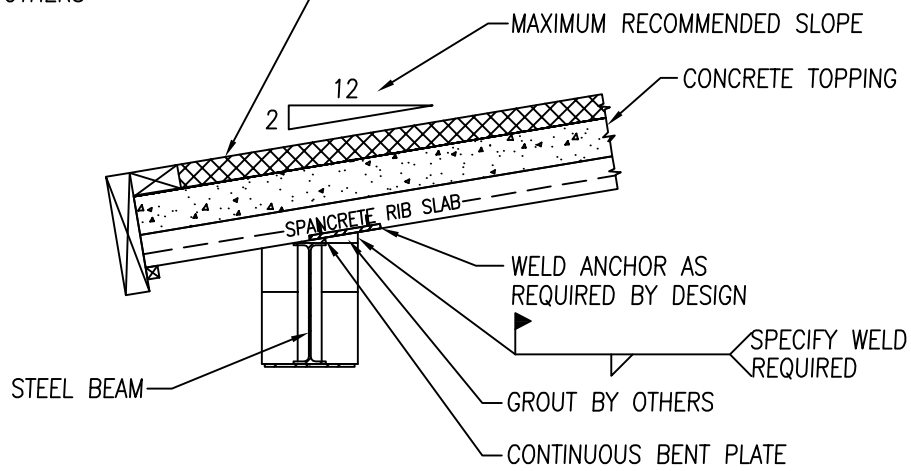
GREEN BAY, WI
(920) 494-0274

NAPERVILLE, IL
(847) 879-2100

DETAIL NUMBER

RS3.2

ALL ROOFING & FLASHING
TO BE SUPPLIED & INSTALLED
BY OTHERS



SLOPED RIB SLAB ROOF BEARING
ON EXTERIOR STEEL BEAM

SPANCRETE®

DESIGN & ENGINEERING OFFICES

WAUKESHA, WI: 414-290-9000
VALDERS, WI: 920-775-4121

SALES OFFICES

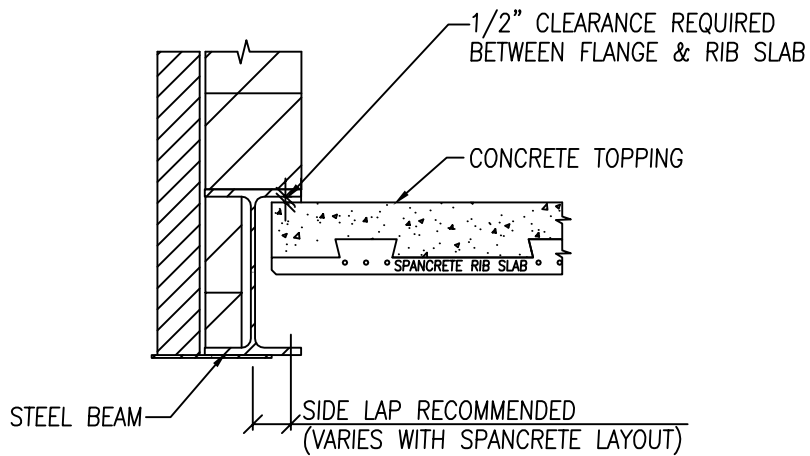
WAUKESHA, WI
(414) 290-9000

GREEN BAY, WI
(920) 494-0274

NAPERVILLE, IL
(847) 879-2100

DETAIL NUMBER

RS3.3



RIB SLAB
AT EXTERIOR STEEL BEAM
NON-BEARING

SPANCRETE®

DESIGN & ENGINEERING OFFICES

WAUKESHA, WI: 414-290-9000
VALDERS, WI: 920-775-4121

SALES OFFICES

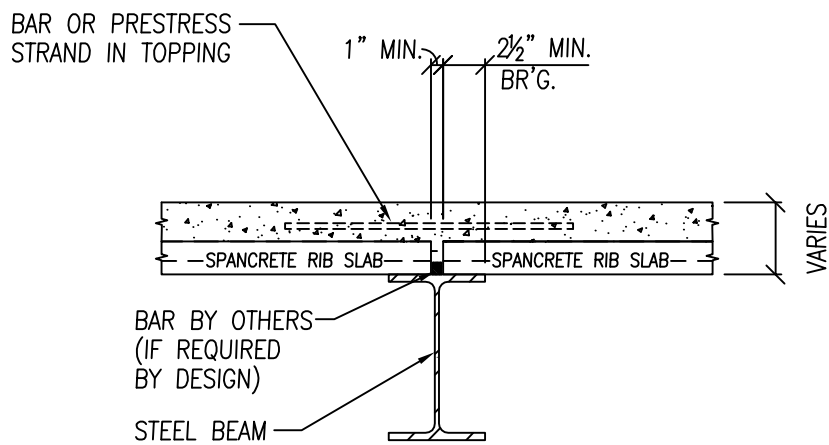
WAUKESHA, WI
(414) 290-9000

GREEN BAY, WI
(920) 494-0274

NAPERVILLE, IL
(847) 879-2100

DETAIL NUMBER

RS3.4



RIB SLAB BEARING
ON INTERIOR STEEL BEAM

SPANCRETE®

DESIGN & ENGINEERING OFFICES

WAUKESHA, WI: 414-290-9000
VALDERS, WI: 920-775-4121

SALES OFFICES

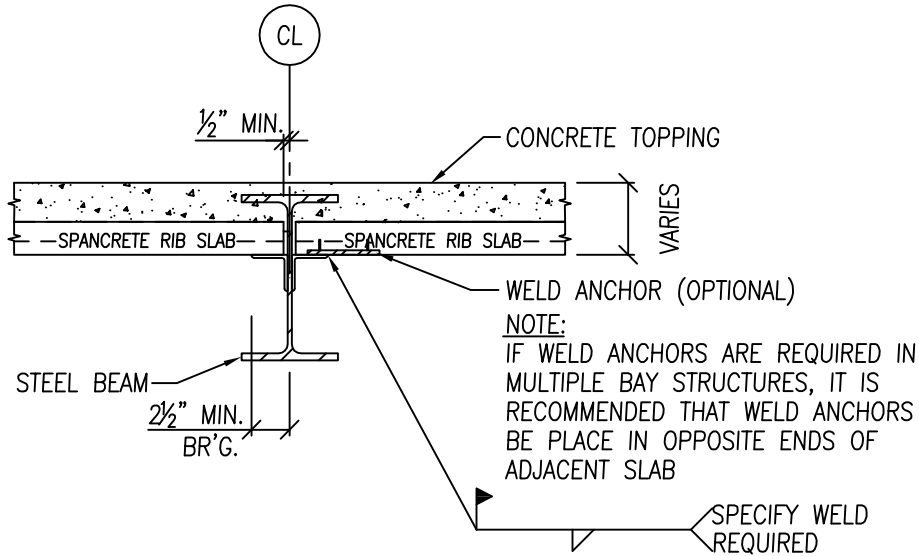
WAUKESHA, WI
(414) 290-9000

GREEN BAY, WI
(920) 494-0274

NAPERVILLE, IL
(847) 879-2100

DETAIL NUMBER

RS3.5



RIB SLAB BEARING
ON INTERIOR STEEL BEAM

SPANCRETE®

DESIGN & ENGINEERING OFFICES

WAUKESHA, WI: 414-290-9000
VALDERS, WI: 920-775-4121

SALES OFFICES

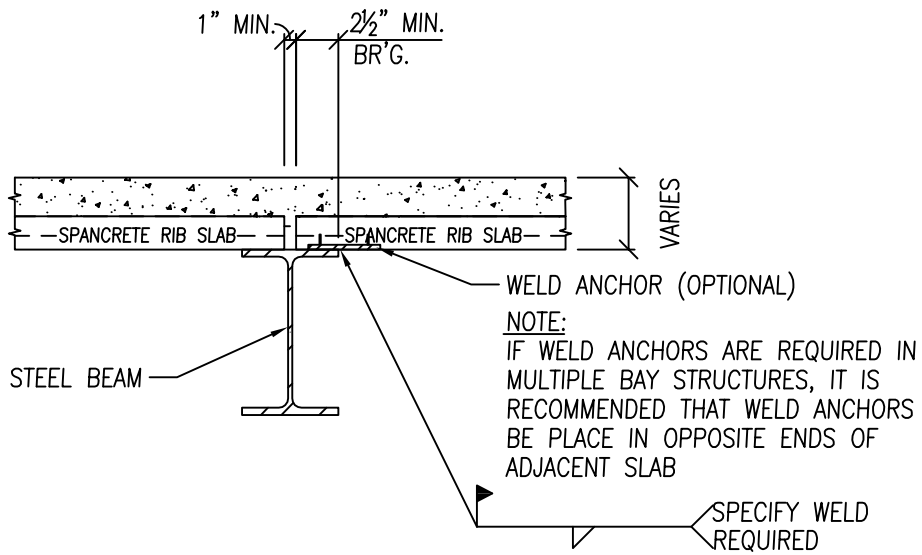
WAUKESHA, WI
(414) 290-9000

GREEN BAY, WI
(920) 494-0274

NAPERVILLE, IL
(847) 879-2100

DETAIL NUMBER

RS3.6



RIB SLAB BEARING
ON INTERIOR STEEL BEAM

SPANCRETE®

DESIGN & ENGINEERING OFFICES

WAUKESHA, WI: 414-290-9000
VALDERS, WI: 920-775-4121

SALES OFFICES

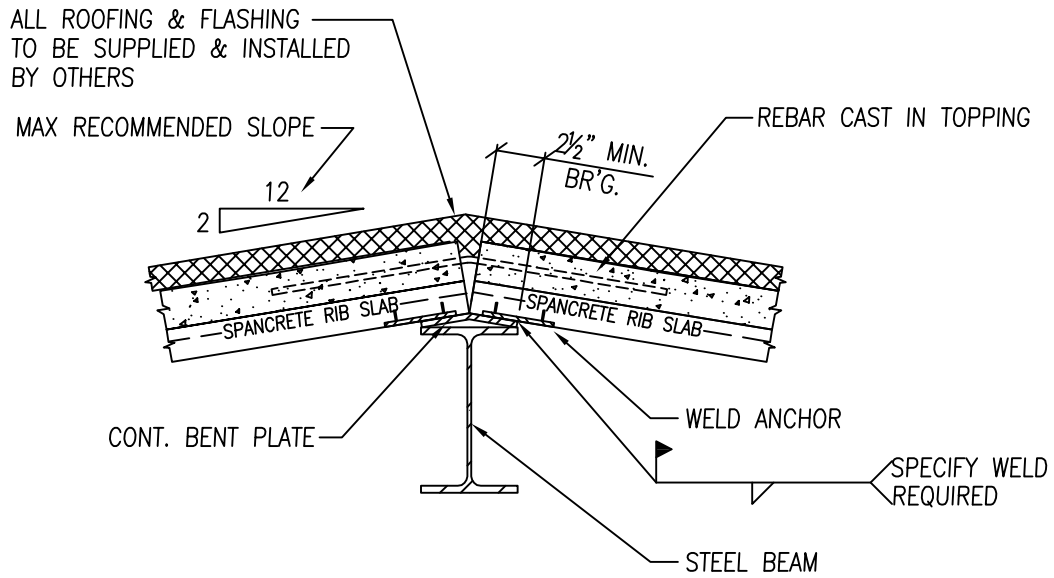
WAUKESHA, WI
(414) 290-9000

GREEN BAY, WI
(920) 494-0274

NAPERVILLE, IL
(847) 879-2100

DETAIL NUMBER

RS3.7



SLOPED RIB SLAB ROOF BEARING
ON INTERIOR STEEL BEAM

SPANCRETE®

DESIGN & ENGINEERING OFFICES

WAUKESHA, WI: 414-290-9000
VALDERS, WI: 920-775-4121

SALES OFFICES

WAUKESHA, WI
(414) 290-9000

GREEN BAY, WI
(920) 494-0274

NAPERVILLE, IL
(847) 879-2100

DETAIL NUMBER

RS3.8