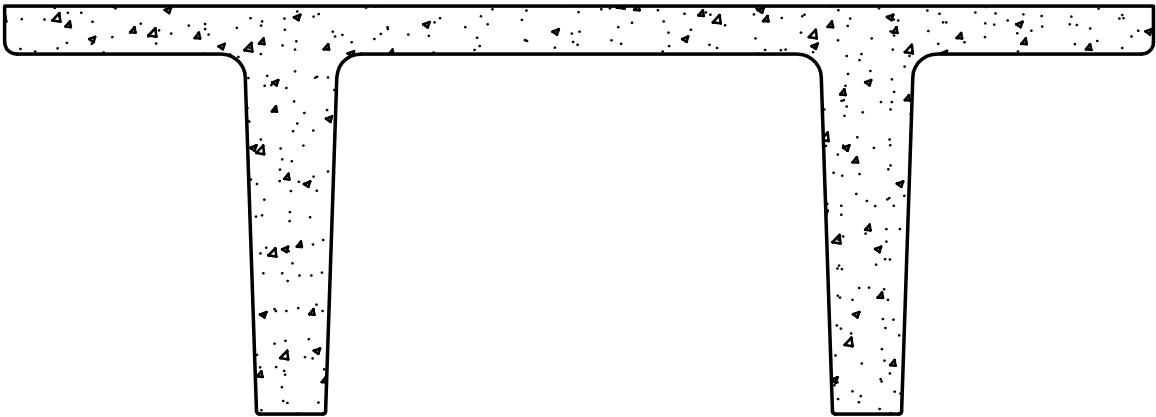
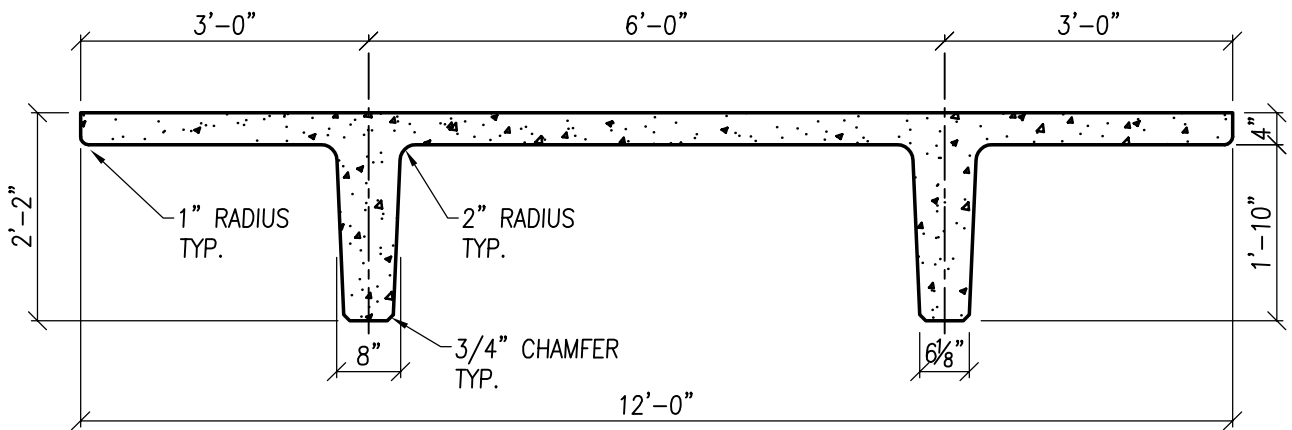


# SPANCRETE

®

## PRE-TOPPED DOUBLE TEE CROSS-SECTIONS





**12'-0" x 26" DEEP DOUBLE TEE**

WEIGHT: = 956 P.L.F.

**SPANCRETE**

**Drafting & Engineering Offices**

Waukesha, WI: 414-290-9000  
Valders, WI: 920-775-4121

**Sales Offices**

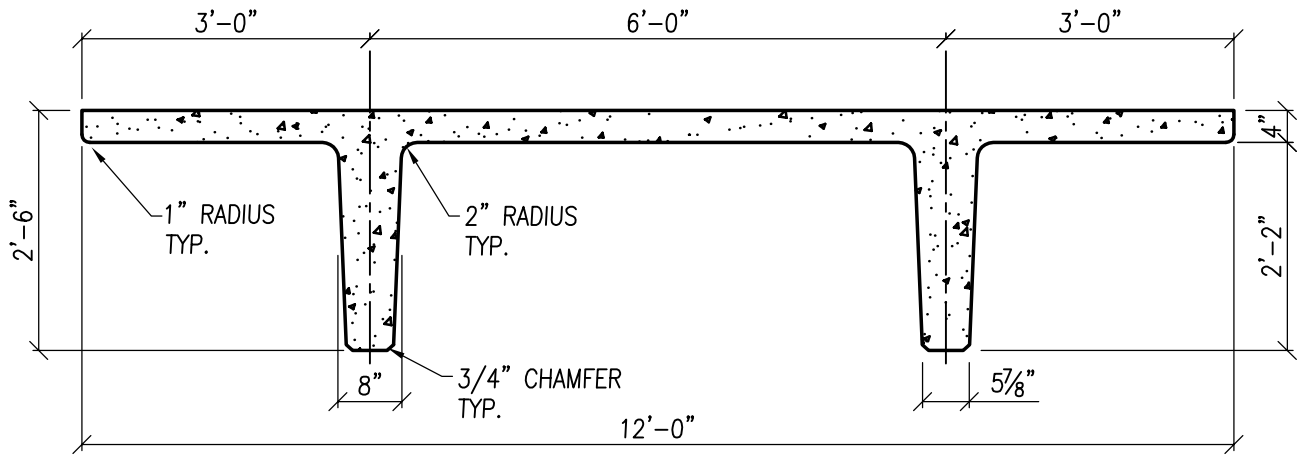
Waukesha, WI  
414-290-9000

Green Bay, WI  
920-494-0274

Arlington Heights, IL  
847-879-2100

DETAIL NUMBER:

**TS-8**



**12'-0" x 30" DEEP DOUBLE TEE**

WEIGHT: = 1008 P.L.F.

**SPANCRETE**

*Drafting & Engineering Offices*

Waukesha, WI: 414-290-9000  
Valders, WI: 920-775-4121

*Sales Offices*

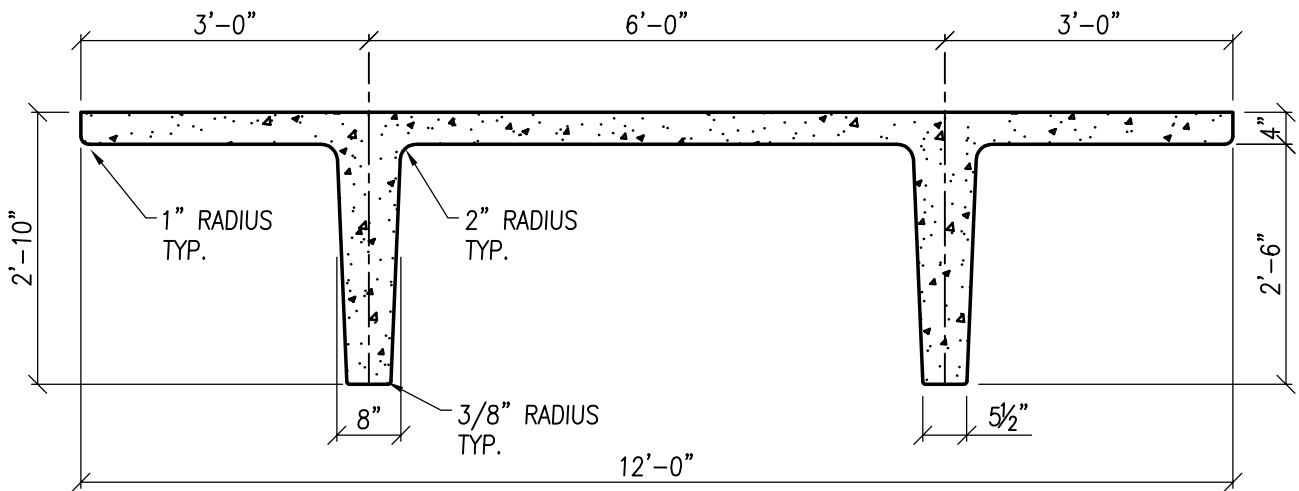
Waukesha, WI  
414-290-9000

Green Bay, WI  
920-494-0274

Arlington Heights, IL  
847-879-2100

DETAIL NUMBER:

**TS-9**



**12'-0" x 34" DEEP DOUBLE TEE**

WEIGHT: = 1058 P.L.F.

**SPANCRETE**

*Drafting & Engineering Offices*

Waukesha, WI: 414-290-9000  
Valders, WI: 920-775-4121

*Sales Offices*

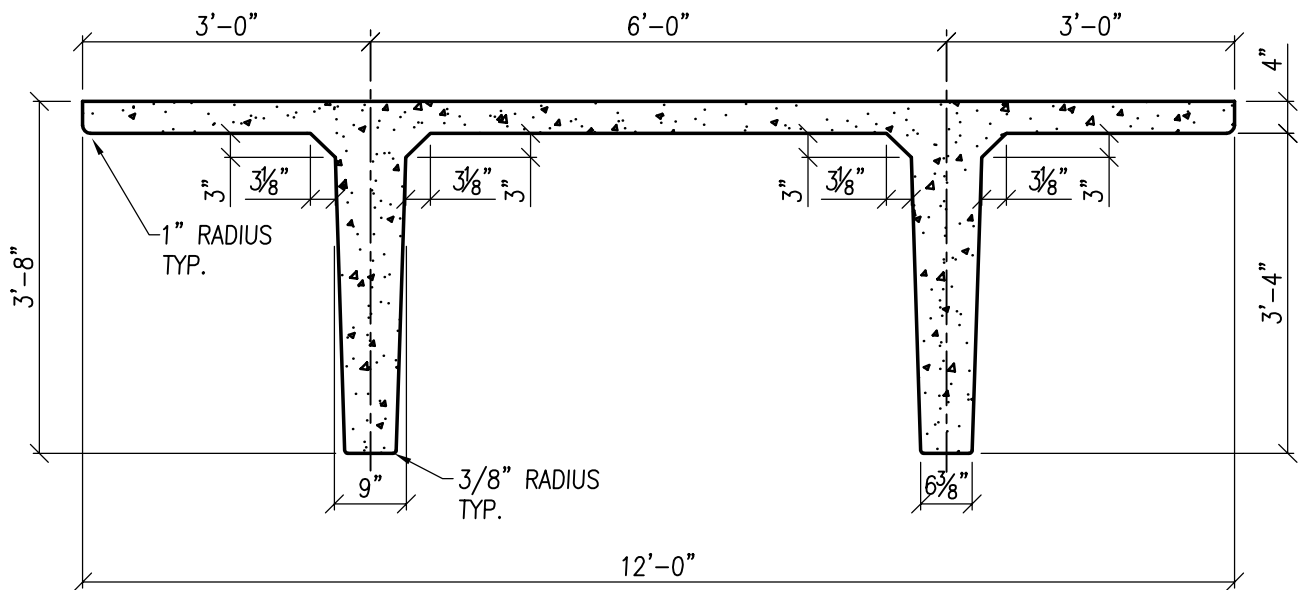
Waukesha, WI  
414-290-9000

Green Bay, WI  
920-494-0274

Arlington Heights, IL  
847-879-2100

DETAIL NUMBER:

***TS-10***



**12'-0" x 44" DEEP DOUBLE TEE**

WEIGHT: = 1148 P.L.F.

**SPANCRETE**

*Drafting & Engineering Offices*

Waukesha, WI: 414-290-9000  
Valders, WI: 920-775-4121

*Sales Offices*

Waukesha, WI  
414-290-9000

Green Bay, WI  
920-494-0274

Arlington Heights, IL  
847-879-2100

DETAIL NUMBER:

***TS-11***

