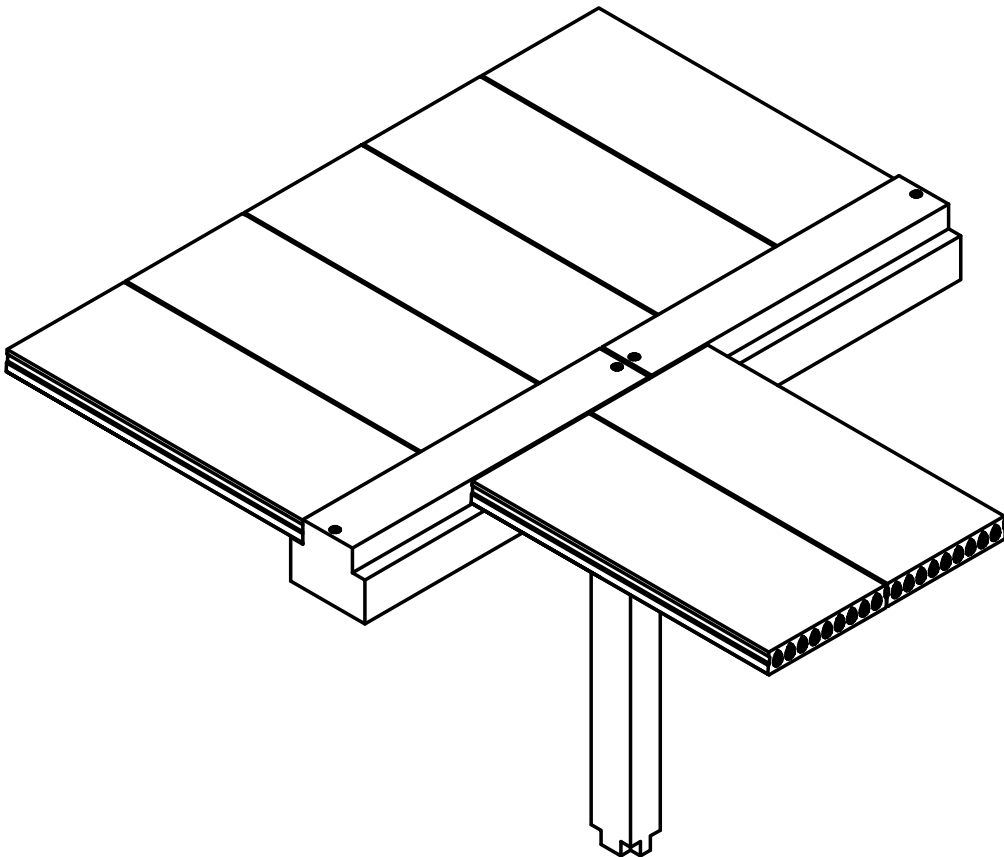
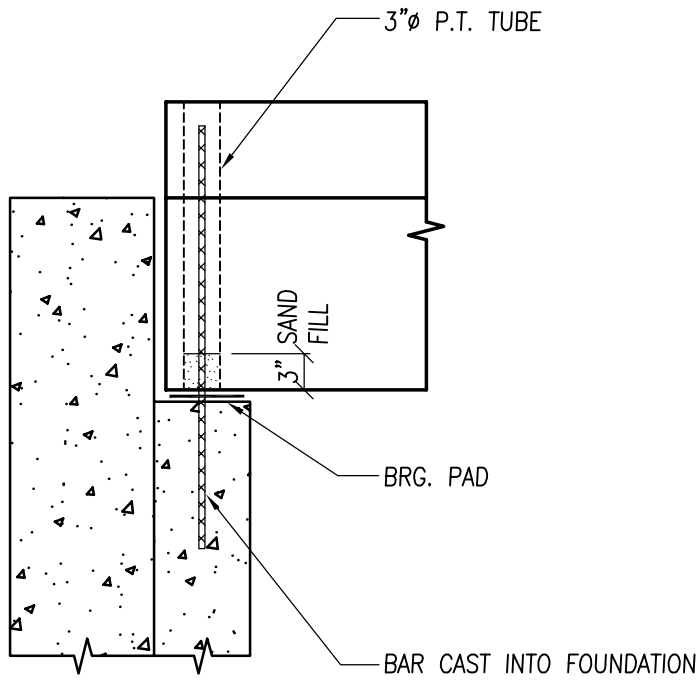


SPANCRETE

®

COLUMN & BEAM DETAILS





SPANCRETE

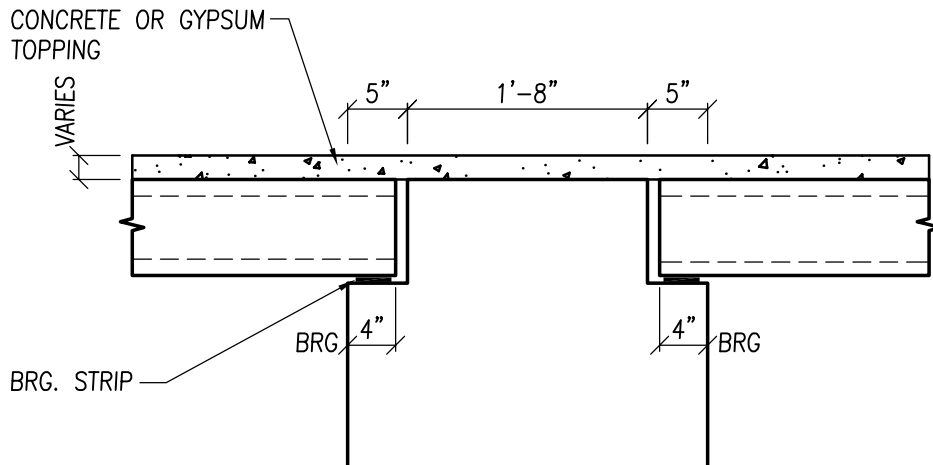
Drafting & Engineering Offices
 Waukesha, WI: 414-290-9000
 Valders, WI: 920-775-4121

Sales Offices

Waukesha, WI 414-290-9000
 Green Bay, WI 920-494-0274
 Arlington Heights, IL 847-879-2100

DETAIL NUMBER:

BC-1



SPANCRETE

Drafting & Engineering Offices

Waukesha, WI: 414-290-9000
Valders, WI: 920-775-4121

Sales Offices

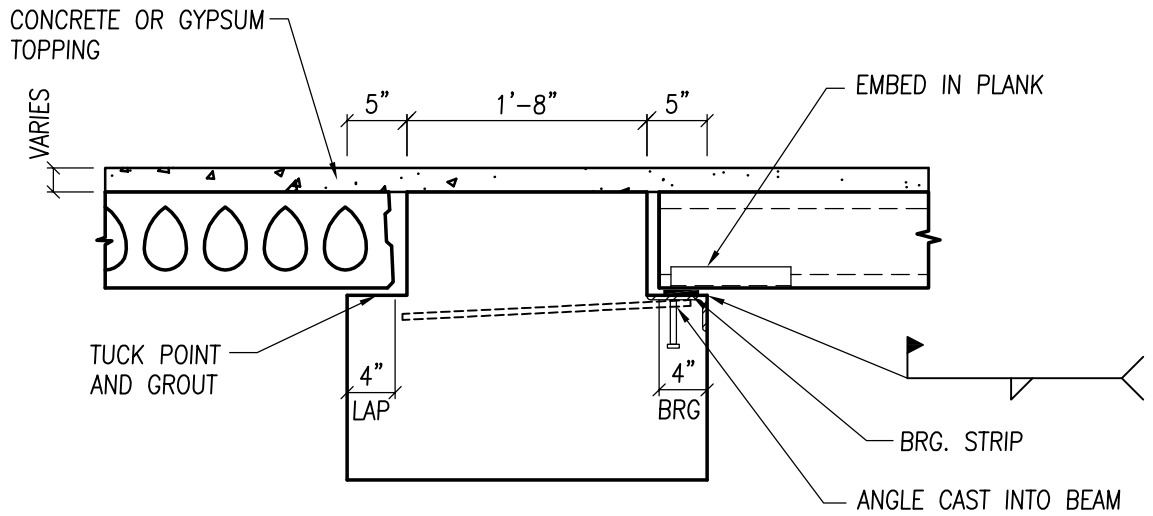
Waukesha, WI
414-290-9000

Green Bay, WI
920-494-0274

Arlington Heights, IL
847-879-2100

DETAIL NUMBER:

BC-2



SPANCRETE

Drafting & Engineering Offices

Waukesha, WI: 414-290-9000
Valders, WI: 920-775-4121

Sales Offices

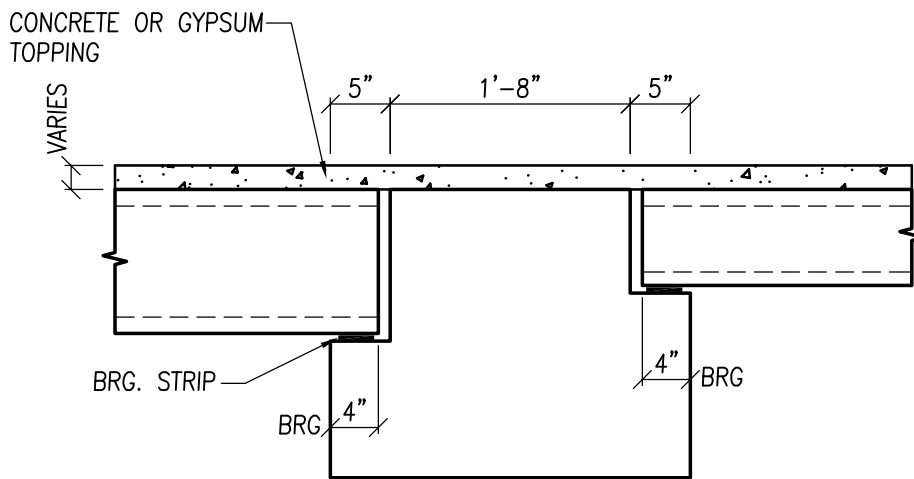
Waukesha, WI
414-290-9000

Green Bay, WI
920-494-0274

Arlington Heights, IL
847-879-2100

DETAIL NUMBER:

BC-3



SPANCRETE

Drafting & Engineering Offices

Waukesha, WI: 414-290-9000
Valders, WI: 920-775-4121

Sales Offices

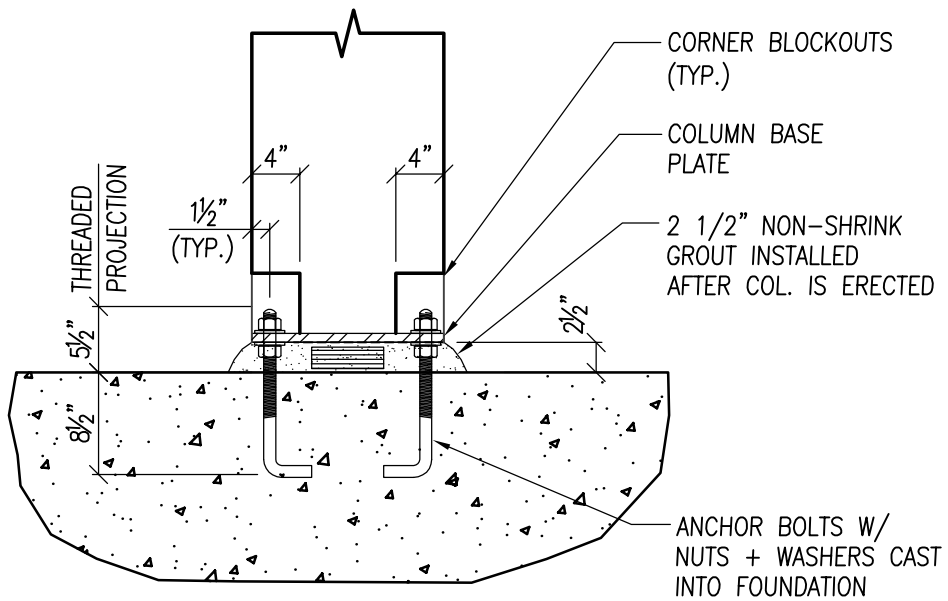
Waukesha, WI
414-290-9000

Green Bay, WI
920-494-0274

Arlington Heights, IL
847-879-2100

DETAIL NUMBER:

BC-4



SPANCRETE

Drafting & Engineering Offices
 Waukesha, WI: 414-290-9000
 Valders, WI: 920-775-4121

Sales Offices

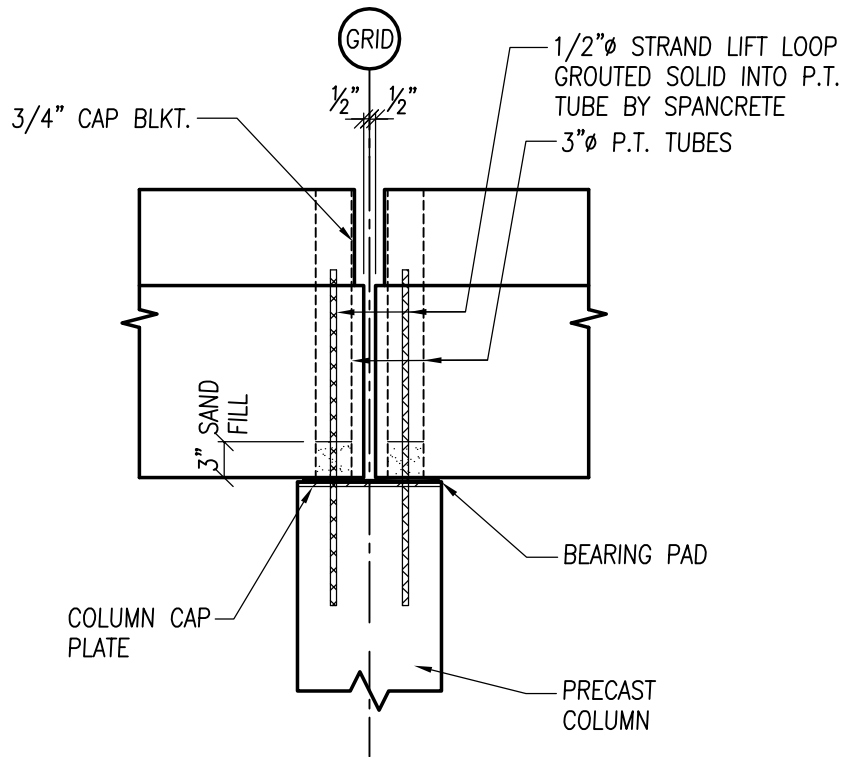
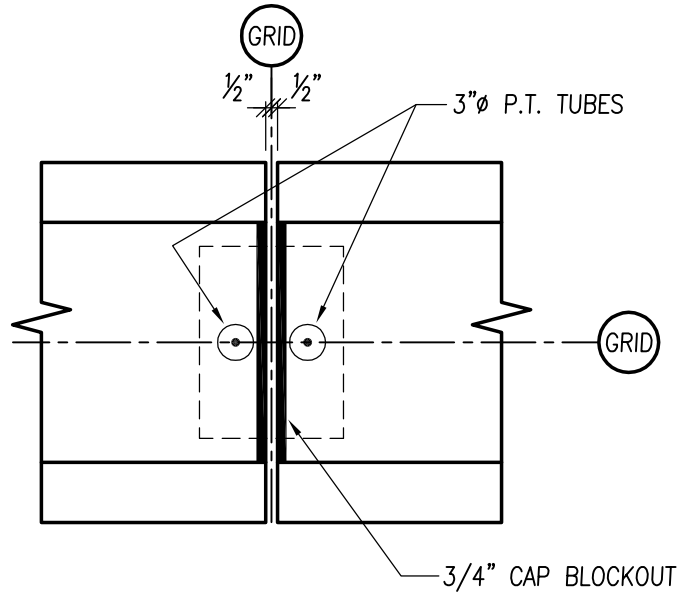
Waukesha, WI
 414-290-9000

Green Bay, WI
 920-494-0274

Arlington Heights, IL
 847-879-2100

DETAIL NUMBER:

BC-5



SPANCRETE

Drafting & Engineering Offices
 Waukesha, WI: 414-290-9000
 Valders, WI: 920-775-4121

Sales Offices

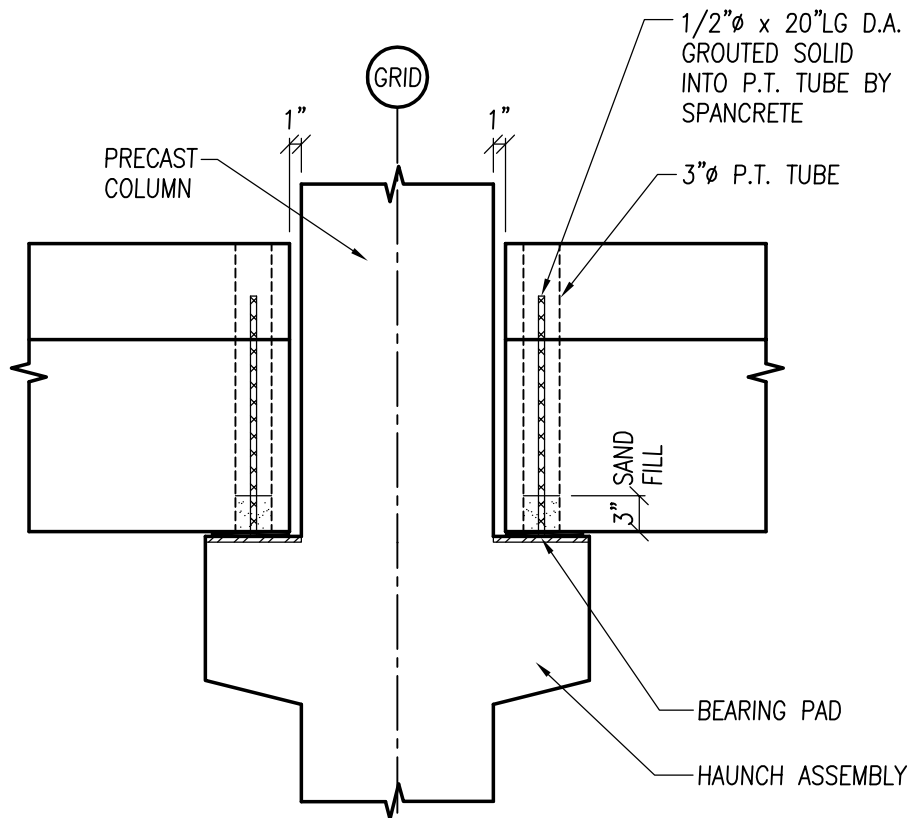
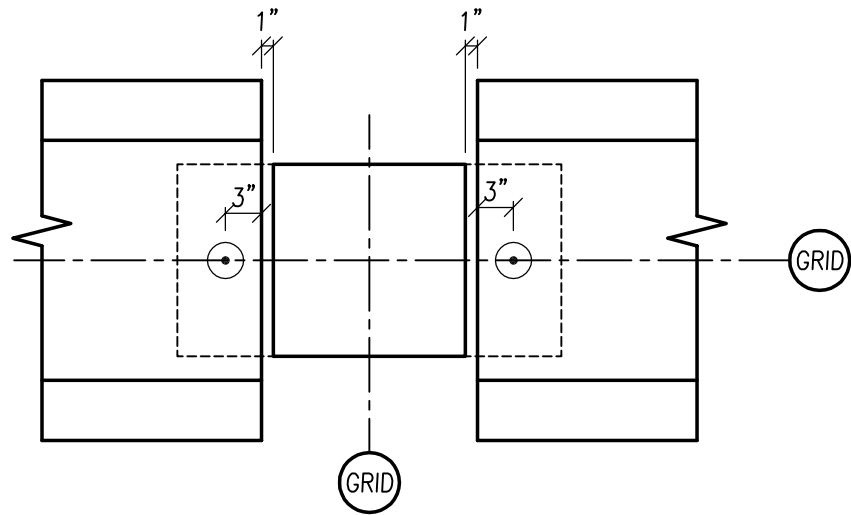
Waukesha, WI
 414-290-9000

Green Bay, WI
 920-494-0274

Arlington Heights, IL
 847-879-2100

DETAIL NUMBER:

BC-6



SPANCRETE

Drafting & Engineering Offices

Waukesha, WI: 414-290-9000
Valders, WI: 920-775-4121

Sales Offices

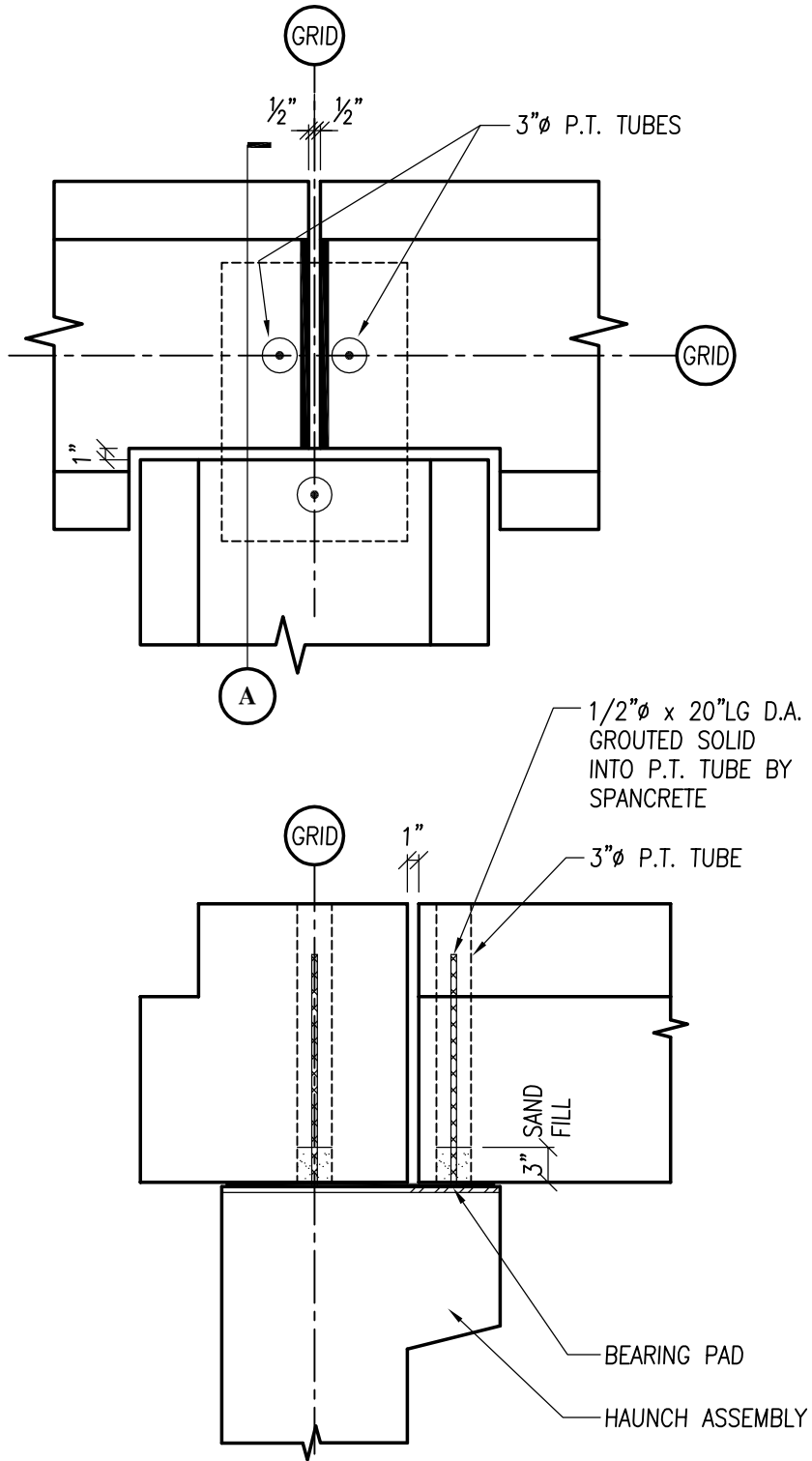
Waukesha, WI
414-290-9000

Green Bay, WI
920-494-0274

Arlington Heights, IL
847-879-2100

DETAIL NUMBER:

BC-7



SPANCRETE

Drafting & Engineering Offices

Waukesha, WI: 414-290-9000
Valders, WI: 920-775-4121

Sales Offices

Waukesha, WI
414-290-9000

Green Bay, WI
920-494-0274

Arlington Heights, IL
847-879-2100

DETAIL NUMBER:

BC-8